

PROT-M8 - Screw plug

1682540

<https://www.phoenixcontact.com/us/products/1682540>

Please be informed that the data shown in this PDF document is generated from our online catalog. Please find the complete data in the user documentation. Our general terms of use for downloads are valid.



An M8 screw plug for the unoccupied M8 sockets of the sensor/actuator cable, boxes and flush-type connectors

Your advantages

- Reliable protection of unoccupied slots during transport and use in the field
- Flexible use: screw plug for all M8 ports and female connectors
- Suitable for Single Pair Ethernet applications
- Protected against splash water and dust
- Easy assembly by hand or using a screwdriver
- Good haptics due to ribbing

Commercial data

Item number	1682540
Packing unit	5 pc
Minimum order quantity	5 pc
Sales key	BF46
Product key	AF3ZAX
GTIN	4017918158316
Weight per piece (including packing)	0.82 g
Weight per piece (excluding packing)	0.269 g
Customs tariff number	39269097
Country of origin	DE

PROT-M8 - Screw plug

1682540

<https://www.phoenixcontact.com/us/products/1682540>



Technical data

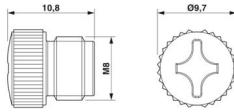
Product properties

Product type	Plug for cable screw gland
Thread type	M8

Connection data

Tightening torque	0.2 Nm
-------------------	--------

Dimensions

Dimensional drawing	
Diameter	9.7 mm

Material specifications

Flammability rating according to UL 94	V0
Material for screw connection	PBT

Environmental and real-life conditions

Ambient conditions

Degree of protection	IP67
----------------------	------

PROT-M8 - Screw plug

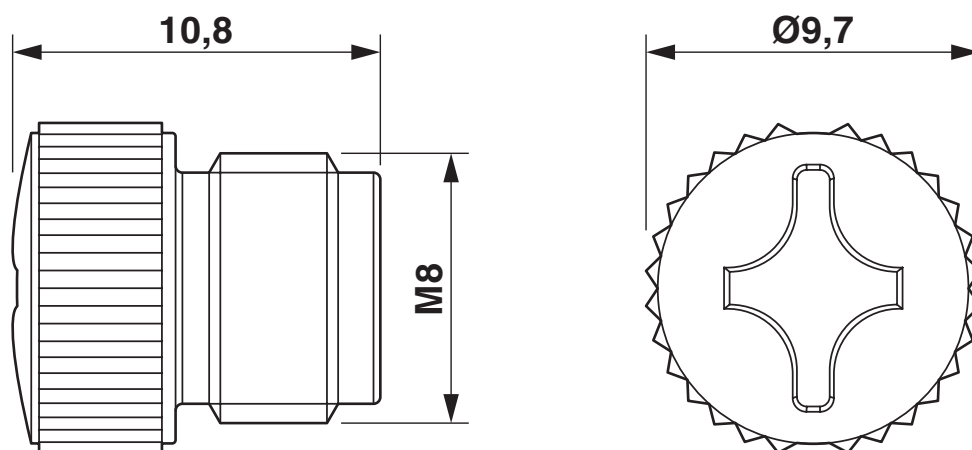
1682540

<https://www.phoenixcontact.com/us/products/1682540>



Drawings

Dimensional drawing



PROT-M8 - Screw plug

1682540

<https://www.phoenixcontact.com/us/products/1682540>



Classifications

ECLASS

ECLASS-13.0	23111190
ECLASS-15.0	27440192

ETIM

ETIM 10.0	EC002943
-----------	----------

UNSPSC

UNSPSC 21.0	31261500
-------------	----------

PROT-M8 - Screw plug



1682540

<https://www.phoenixcontact.com/us/products/1682540>

Environmental product compliance

EU RoHS

Fulfills EU RoHS substance requirements	Yes, No exemptions
---	--------------------

China RoHS

Environment friendly use period (EFUP)	EFUP-E
	No hazardous substances above the limits

EU REACH SVHC

REACH candidate substance (CAS No.)	No substance above 0.1 wt%
-------------------------------------	----------------------------

EF3.1 Climate Change

CO2e kg	0.038 kg CO2e
---------	---------------

Phoenix Contact 2026 © - all rights reserved
<https://www.phoenixcontact.com>

Phoenix Contact USA
586 Fulling Mill Road
Middletown, PA 17057, United States
(+717) 944-1300
info@phoenixcon.com