

# CK6,0P-ED-16,00M AG - Crimp contact



1682094

<https://www.phoenixcontact.com/us/products/1682094>

Please be informed that the data shown in this PDF document is generated from our online catalog. Please find the complete data in the user documentation. Our general terms of use for downloads are valid.



Crimp contact, series: HC-M-...-25, Pin, turned, contact diameter: 6 mm, rated current: 70 A, connection cross section: 16 mm<sup>2</sup> ... 16 mm<sup>2</sup>, AWG 6...6 , contact material: Cu alloy

## Commercial data

Item number	1682094
Packing unit	5 pc
Minimum order quantity	10 pc
Sales key	BF65
Product key	AF7AIF
GTIN	4067923236493
Weight per piece (including packing)	10.62 g
Weight per piece (excluding packing)	10.62 g
Customs tariff number	85366990
Country of origin	DE

# CK6,0P-ED-16,00M AG - Crimp contact



1682094

<https://www.phoenixcontact.com/us/products/1682094>

## Technical data

### Notes

General	HC-M-...-25 contact carrier
Assembly note	The quality of a crimp connection is determined by DIN EN 60352-2.
Assembly note	The contacts are qualified for crimping dies in accordance with DIN 46235. Klauke, for example, offers an appropriate tool: Crimping dies from the D22 series are required for the EKM6022 battery-powered hydraulic crimping pliers. Due to the narrow crimping width of 5 mm, it is very important to make two compressions next to one another. For the EK12042 model, crimping dies from the HD13 series are required. Due to a wider crimping process, only one compression is required.
Assembly note	<p>Note on crimp connection technology:</p> <p>For flexible wires only. The specified conductor cross-sections refer to the nominal cross-section of the cable used.</p> <p>The wiring space of the crimp connection technology is designed for fine-stranded cables in accordance with VDE 0295 Class 5. Deviating cable structures (e.g., Class 1.2 and 6 or AWG cables) should be checked before use.</p>

### Product properties

Product type	Crimp contact
Series	HC-M-...-25
Contact material type	turned

### Connection data

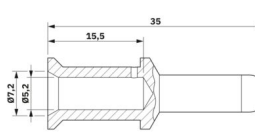
Connection technology	
Contact connection type	Pin
Connection method	Crimp connection

Conductor connection	
Stripping length	15.5 mm
Connection cross section	16 mm <sup>2</sup> ... 16 mm <sup>2</sup>
Connection cross section AWG	6 ... 6

### Material specifications

Material Contact	Cu alloy (lead-free)
Material Contact surface	Ag

### Dimensions

Dimensional drawing	
---------------------	--

# CK6,0P-ED-16,00M AG - Crimp contact



1682094

<https://www.phoenixcontact.com/us/products/1682094>

Length [l]	35 mm
Diameter (Contact diameter)	6 mm

## Electrical properties

Rated current	70 A ()
---------------	---------

## Mechanical properties

### Mechanical data

Insertion/withdrawal cycles	≥ 500
-----------------------------	-------

## Environmental and real-life conditions

### Ambient conditions

Ambient temperature (operation)	-40 °C ... 125 °C
---------------------------------	-------------------

# CK6,0P-ED-16,00M AG - Crimp contact

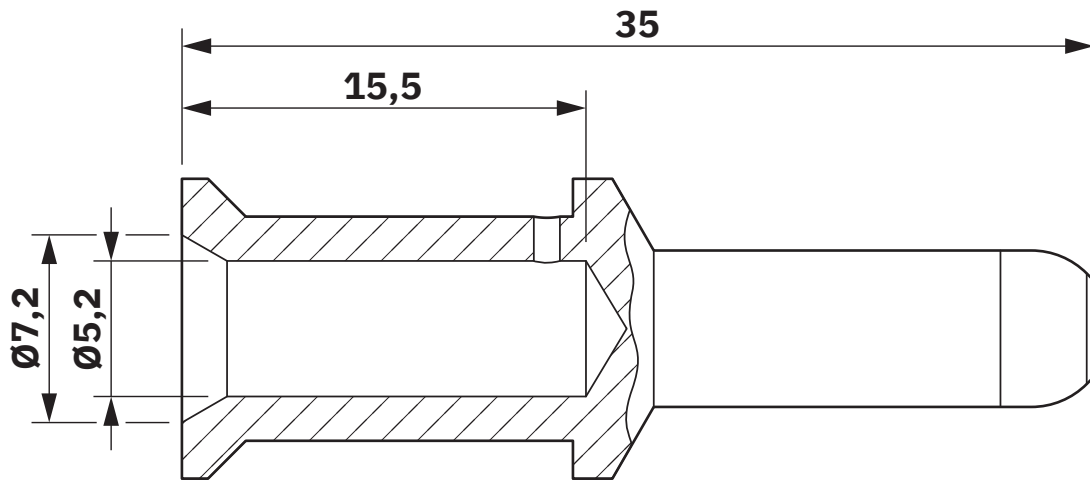


1682094

<https://www.phoenixcontact.com/us/products/1682094>

## Drawings

Dimensional drawing



Dimensional drawing

# CK6,0P-ED-16,00M AG - Crimp contact



1682094

<https://www.phoenixcontact.com/us/products/1682094>

## Classifications

### ECLASS

ECLASS-13.0	27440204
ECLASS-15.0	27440204

### ETIM

ETIM 10.0	EC000796
-----------	----------

### UNSPSC

UNSPSC 21.0	39121500
-------------	----------

# CK6,0P-ED-16,00M AG - Crimp contact



1682094

<https://www.phoenixcontact.com/us/products/1682094>

## Environmental product compliance

### EU RoHS

Fulfills EU RoHS substance requirements	Yes, No exemptions
---	--------------------

### China RoHS

Environment friendly use period (EFUP)	EFUP-E
	No hazardous substances above the limits

### EU REACH SVHC

REACH candidate substance (CAS No.)	No substance above 0.1 wt%
-------------------------------------	----------------------------

Phoenix Contact 2026 © - all rights reserved  
<https://www.phoenixcontact.com>

Phoenix Contact USA  
586 Fulling Mill Road  
Middletown, PA 17057, United States  
(+717) 944-1300  
[info@phoenixcon.com](mailto:info@phoenixcon.com)