

CK6,0P-ED-25,00M AG - Crimp contact



1682093

<https://www.phoenixcontact.com/us/products/1682093>

Please be informed that the data shown in this PDF document is generated from our online catalog. Please find the complete data in the user documentation. Our general terms of use for downloads are valid.



Crimp contact, series: HC-M-...-25, Pin, turned, contact diameter: 6 mm, rated current: 70 A, connection cross section: 25 mm² ... 25 mm², AWG 4...4 , contact material: Cu alloy

Commercial data

Item number	1682093
Packing unit	5 pc
Minimum order quantity	10 pc
Sales key	BF65
Product key	AF7AIF
GTIN	4067923234994
Weight per piece (including packing)	11.24 g
Weight per piece (excluding packing)	11.24 g
Customs tariff number	85366990
Country of origin	DE

CK6,0P-ED-25,00M AG - Crimp contact

1682093

<https://www.phoenixcontact.com/us/products/1682093>

Technical data

Product properties

Product type	Crimp contact
Series	HC-M-...-25
Contact material type	turned

Connection data

Connection technology

Contact connection type	Pin
Connection method	Crimp connection

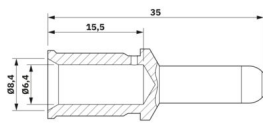
Conductor connection

Stripping length	15.5 mm
Connection cross section	25 mm ² ... 25 mm ²
Connection cross section AWG	4 ... 4

Material specifications

Material Contact	Cu alloy (lead-free)
Material Contact surface	Ag

Dimensions

Dimensional drawing	
Length [l]	35 mm
Diameter (Contact diameter)	6 mm

Electrical properties

Rated current	70 A (Take into account the derating of the contact insert used. The rated current corresponds to the maximum possible connection cross-section.)
---------------	---

Mechanical properties

Mechanical data

Insertion/withdrawal cycles	≥ 500
-----------------------------	-------

Environmental and real-life conditions

Ambient conditions

Ambient temperature (operation)	-40 °C ... 125 °C
---------------------------------	-------------------

CK6,0P-ED-25,00M AG - Crimp contact

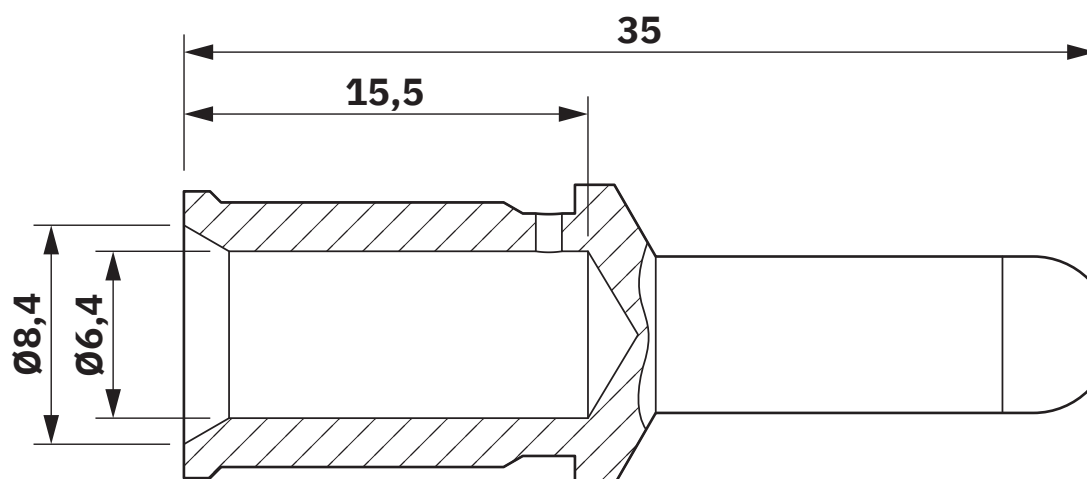


1682093

<https://www.phoenixcontact.com/us/products/1682093>

Drawings

Dimensional drawing



Dimensional drawing

CK6,0P-ED-25,00M AG - Crimp contact



1682093

<https://www.phoenixcontact.com/us/products/1682093>

Classifications

ECLASS

ECLASS-13.0	27440204
ECLASS-15.0	27440204

ETIM

ETIM 10.0	EC000796
-----------	----------

UNSPSC

UNSPSC 21.0	39121500
-------------	----------

CK6,0P-ED-25,00M AG - Crimp contact



1682093

<https://www.phoenixcontact.com/us/products/1682093>

Environmental product compliance

EU RoHS

Fulfills EU RoHS substance requirements	Yes, No exemptions
---	--------------------

China RoHS

Environment friendly use period (EFUP)	EFUP-E
	No hazardous substances above the limits

EU REACH SVHC

REACH candidate substance (CAS No.)	No substance above 0.1 wt%
-------------------------------------	----------------------------

Phoenix Contact 2026 © - all rights reserved
<https://www.phoenixcontact.com>

Phoenix Contact USA
586 Fulling Mill Road
Middletown, PA 17057, United States
(+717) 944-1300
info@phoenixcon.com