

CK9,5-ED-35,00F AG - Crimp contact



1682082

<https://www.phoenixcontact.com/us/products/1682082>

Please be informed that the data shown in this PDF document is generated from our online catalog. Please find the complete data in the user documentation. Our general terms of use for downloads are valid.



Crimp contact, series: HC-M-...-70, Socket, turned, contact diameter: 9.5 mm, connection cross section: 35 mm² ... 35 mm², AWG 2...2, contact material: Cu alloy

Commercial data

| | |
|--------------------------------------|---------------|
| Item number | 1682082 |
| Packing unit | 1 pc |
| Minimum order quantity | 1 pc |
| Sales key | BF65 |
| Product key | AF7AIH |
| GTIN | 4067923237100 |
| Weight per piece (including packing) | 33.6 g |
| Weight per piece (excluding packing) | 30 g |
| Customs tariff number | 85366990 |
| Country of origin | DE |

CK9,5-ED-35,00F AG - Crimp contact



1682082

<https://www.phoenixcontact.com/us/products/1682082>

Technical data

Notes

| | |
|---------------|---|
| General | HC-M-...-70 contact carrier |
| Assembly note | The quality of a crimp connection is determined by DIN EN 60352-2. |
| Assembly note | The contacts are qualified for crimping dies in accordance with DIN 46235. Klauke, for example, offers an appropriate tool: Crimping dies from the D22 series are required for the EKM6022 battery-powered hydraulic crimping pliers. Due to the narrow crimping width of 5 mm, it is very important to make two compressions next to one another. For the EK12042 model, crimping dies from the HD13 series are required. Due to a wider crimping process, only one compression is required. |

Product properties

| | |
|-----------------------|---------------|
| Product type | Crimp contact |
| Series | HC-M-...-70 |
| Contact material type | turned |

Connection data

Connection technology

| | |
|-------------------------|------------------|
| Contact connection type | Socket |
| Connection method | Crimp connection |

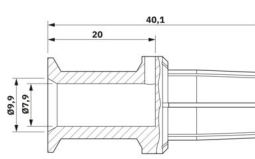
Conductor connection

| | |
|------------------------------|---|
| Stripping length | 17 mm |
| Connection cross section | 35 mm ² ... 35 mm ² |
| Connection cross section AWG | 2 ... 2 |

Material specifications

| | |
|--------------------------|----------------------|
| Material Contact | Cu alloy (lead-free) |
| Material Contact surface | Ag |

Dimensions

| | |
|-----------------------------|--|
| Dimensional drawing |  |
| Length [l] | 40.1 mm |
| Diameter (Contact diameter) | 9.5 mm |

Mechanical properties

Mechanical data

CK9,5-ED-35,00F AG - Crimp contact



1682082

<https://www.phoenixcontact.com/us/products/1682082>

| | |
|-----------------------------|-------|
| Insertion/withdrawal cycles | ≥ 500 |
|-----------------------------|-------|

Environmental and real-life conditions

Ambient conditions

| | |
|---------------------------------|-------------------|
| Ambient temperature (operation) | -40 °C ... 125 °C |
|---------------------------------|-------------------|

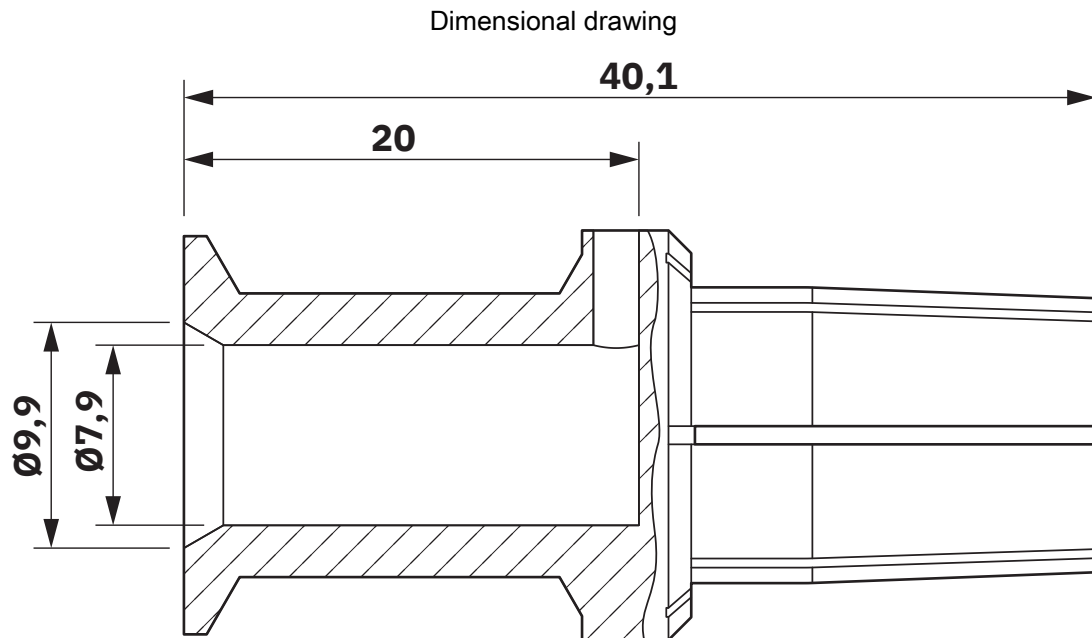
CK9,5-ED-35,00F AG - Crimp contact



1682082

<https://www.phoenixcontact.com/us/products/1682082>

Drawings



Dimensional drawing

CK9,5-ED-35,00F AG - Crimp contact



1682082

<https://www.phoenixcontact.com/us/products/1682082>

Classifications

ECLASS

| | |
|-------------|----------|
| ECLASS-13.0 | 27440204 |
| ECLASS-15.0 | 27440204 |

ETIM

| | |
|-----------|----------|
| ETIM 10.0 | EC000796 |
|-----------|----------|

UNSPSC

| | |
|-------------|----------|
| UNSPSC 21.0 | 39121500 |
|-------------|----------|

CK9,5-ED-35,00F AG - Crimp contact



1682082

<https://www.phoenixcontact.com/us/products/1682082>

Environmental product compliance

EU RoHS

| | |
|---|--------------------|
| Fulfills EU RoHS substance requirements | Yes, No exemptions |
|---|--------------------|

China RoHS

| | |
|--|--|
| Environment friendly use period (EFUP) | EFUP-E |
| | No hazardous substances above the limits |

EU REACH SVHC

| | |
|-------------------------------------|----------------------------|
| REACH candidate substance (CAS No.) | No substance above 0.1 wt% |
|-------------------------------------|----------------------------|

Phoenix Contact 2026 © - all rights reserved
<https://www.phoenixcontact.com>

Phoenix Contact USA
586 Fulling Mill Road
Middletown, PA 17057, United States
(+717) 944-1300
info@phoenixcon.com