

# SAC-3P-M 8MR/ 0,6-PUR/M 8FR - Sensor/actuator cable



1682074

<https://www.phoenixcontact.com/us/products/1682074>

Please be informed that the data shown in this PDF document is generated from our online catalog. Please find the complete data in the user documentation. Our general terms of use for downloads are valid.



Sensor/actuator cable, 3-position, PUR halogen-free, black-gray RAL 7021, Plug angled M8, coding: A, on Socket angled M8, coding: A, cable length: 0.6 m

## Your advantages

- Easy and safe: 100 % electrically tested plug-in components

## Commercial data

|                                      |               |
|--------------------------------------|---------------|
| Item number                          | 1682074       |
| Packing unit                         | 1 pc          |
| Minimum order quantity               | 5 pc          |
| Sales key                            | BF01          |
| Product key                          | AF1BBA        |
| GTIN                                 | 4017918158736 |
| Weight per piece (including packing) | 20.6 g        |
| Weight per piece (excluding packing) | 17.28 g       |
| Customs tariff number                | 85444290      |
| Country of origin                    | DE            |

# SAC-3P-M 8MR/ 0,6-PUR/M 8FR - Sensor/actuator cable



1682074

<https://www.phoenixcontact.com/us/products/1682074>

## Technical data

### Product properties

|                      |                       |
|----------------------|-----------------------|
| Product type         | Sensor/actuator cable |
| Application          | Standard              |
| Number of positions  | 3                     |
| No. of cable outlets | 1                     |
| Shielded             | no                    |
| Coding               | A                     |

### Insulation characteristics

|                      |    |
|----------------------|----|
| Overvoltage category | II |
| Degree of pollution  | 3  |

### Material specifications

|  |   |
|--|---|
| Flammability rating according to UL 94 | HB  |
| Seal material                          | NBR   |
| Material of grip body                  | TPU, hardly inflammable, self-extinguishing |
| Contact material                       | CuSn  |
| Contact surface material               | Ni/Au                                       |
| Contact carrier material               | TPU GF                                      |
| Material for screw connection          | Zinc die-cast, nickel-plated                |

### Electrical properties

|                       |                            |
|-----------------------|----------------------------|
| Insulation resistance | $\geq 100 \text{ M}\Omega$ |
| Nominal voltage $U_N$ | 48 V AC                    |
|                       | 60 V DC                    |
| Nominal current $I_N$ | 4 A                        |

### Mechanical properties

#### Mechanical data

|                             |            |
|-----------------------------|------------|
| Insertion/withdrawal cycles | $\geq 100$ |
|-----------------------------|------------|

### Signaling

|                        |    |
|------------------------|----|
| Status display         | no |
| Status display present | no |

### Connection data

#### Conductor connection

|                   |                        |
|-------------------|------------------------|
| Tightening torque | 0.2 Nm (M8 connectors) |
|-------------------|------------------------|

### Connector

#### Connection 1

# SAC-3P-M 8MR/ 0,6-PUR/M 8FR - Sensor/actuator cable

1682074

<https://www.phoenixcontact.com/us/products/1682074>

|                     |                |
|---------------------|----------------|
| Type                | Plug angled M8 |
| Number of positions | 3              |
| Coding type         | A              |

## Connection 2

|                     |                  |
|---------------------|------------------|
| Type                | Socket angled M8 |
| Number of positions | 3                |
| Coding type         | A                |

## Cable/line

|              |       |
|--------------|-------|
| Cable length | 0.6 m |
|--------------|-------|

## PUR halogen-free black [PUR]

|   |   |
|---|---|
| Dimensional drawing                         |  |
| Cable weight                                | 18 kg/km  |
| UL AWM Style                                | 20549 / 10493 (80°C/300 V)  |
| Number of positions                         | 3   |
| Shielded                                    | no  |
| Cable type                                  | PUR halogen-free black [PUR]  |
| Conductor structure signal line             | 32x 0.10 mm   |
| AWG signal line                             | 24  |
| Conductor cross-section                     | 3x 0.25 mm <sup>2</sup> (Signal line)   |
| Wire diameter incl. insulation              | 1.17 mm ±0.02 mm  |
| External cable diameter                     | 3.60 mm ±0.15 mm  |
| Outer sheath, material                      | PUR   |
| External sheath, color                      | black-gray RAL 7021   |
| Conductor material                          | Bare Cu litz wires  |
| Material wire insulation                    | PP  |
| Single wire, color                          | brown, blue, black  |
| Thickness, insulation                       | ≥ 0.21 mm (Core insulation)   |
| Thickness, outer sheath                     | approx. 0.50 mm   |
| Overall twist                               | 3 wires, twisted  |
| Length of twist, overall twist              | 40 mm   |
| Max. conductor resistance                   | ≤ 78 Ω/km (at 20 °C)  |
| Insulation resistance                       | ≥ 100 GΩ*km (at 20 °C)  |
| Nominal voltage, cable                      | ≤ 300 V   |
| Test voltage                                | ≥ 3000 V  |
| Smallest bending radius, fixed installation | 18 mm   |

# SAC-3P-M 8MR/ 0,6-PUR/M 8FR - Sensor/actuator cable



1682074

<https://www.phoenixcontact.com/us/products/1682074>

|   |   |
|---|---|
| Smallest bending radius, movable installation | 36 mm   |
| Dynamic load capacity (bending)               | Max. bending cycles: 10000000, Bending radius: 44 mm, Traversing path: 10 m, Traversing rate: 3 m/s, Acceleration: 10 m/s <sup>2</sup>  |
| Dynamic load capacity (torsion)               | Torsion: $\pm 180$ °/m, Torsion cycles: $\geq 5000000$ , Torsional frequency: 35 cycles/min.  |
| Halogen-free                                  | in accordance with DIN VDE 0472 part 815  |
| Flame resistance                              | in accordance with UL 758/1581 FT2<br>DIN EN 60332-2-2 (20 s)   |
| Resistance to oil                             | in accordance with DIN EN 60811-2-1   |
| Other resistance                              | hydrolysis and microbe resistant<br>Highly resistant to acids, alkaline solutions and solvents<br>Resistant to salt water<br>partly UV-resistant (in accordance with DIN EN ISO 4892-2-A) |
| Special properties                            | Flexible cable conduit capable<br>Silicone-free<br>Free of substances which would hinder coating with paint or varnish  |
| Ambient temperature (operation)               | -40 °C ... 80 °C (cable, fixed installation)<br>-25 °C ... 80 °C (Cable, flexible installation)   |

## Environmental and real-life conditions

### Ambient conditions

|   |  |
|---|--|
| Degree of protection  | IP65<br>IP67<br>IP68   |
| Ambient temperature (operation) (male connector/female connector) | -25 °C ... 90 °C (Plug / socket)   |
| Ambient temperature (operation) (Cable, flexible installation)    | -40 °C ... 80 °C (cable, fixed installation)<br>-5 °C ... 80 °C (Cable, flexible installation) |

## Standards and regulations

|                          |                 |
|--------------------------|-----------------|
| Standard designation     | M8 connector    |
| Standards/specifications | IEC 61076-2-104 |

# SAC-3P-M 8MR/ 0,6-PUR/M 8FR - Sensor/actuator cable

1682074

<https://www.phoenixcontact.com/us/products/1682074>

## Drawings

Dimensional drawing



M8 x 1 male plug, angled version

Dimensional drawing



Socket M8 x 1, angled

# SAC-3P-M 8MR/ 0,6-PUR/M 8FR - Sensor/actuator cable

1682074

<https://www.phoenixcontact.com/us/products/1682074>

Schematic diagram



Pin assignment M8 plug, 3-pos., view male side

Schematic diagram



Pin assignment M8 socket, 3-pos., view female side

# SAC-3P-M 8MR/ 0,6-PUR/M 8FR - Sensor/actuator cable

1682074

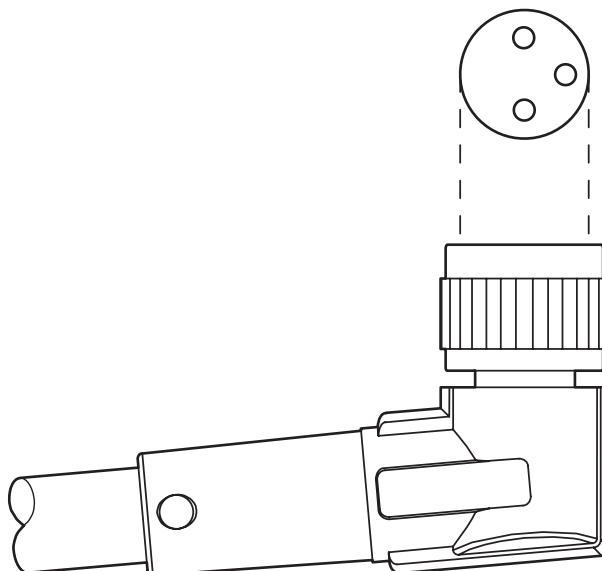
<https://www.phoenixcontact.com/us/products/1682074>

Schematic diagram



Layout of connector pin assignments

Schematic diagram



Layout of connector pin assignments

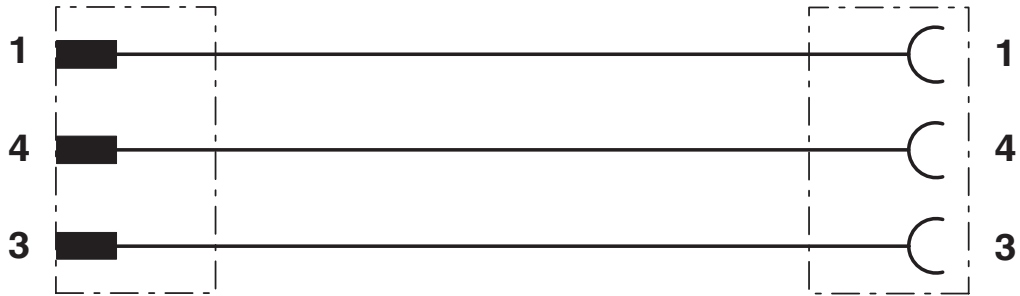
# SAC-3P-M 8MR/ 0,6-PUR/M 8FR - Sensor/actuator cable



1682074

<https://www.phoenixcontact.com/us/products/1682074>

Circuit diagram



Contact assignment of M8 plugs/sockets

# SAC-3P-M 8MR/ 0,6-PUR/M 8FR - Sensor/actuator cable



1682074

<https://www.phoenixcontact.com/us/products/1682074>

## Approvals

To download certificates, visit the product detail page: <https://www.phoenixcontact.com/us/products/1682074>

|  <b>UL Listed</b><br>Approval ID: FILE E 221474 |                       |                       |                   |                             |
|--|-----------------------|-----------------------|-------------------|-----------------------------|
|  | Nominal voltage $U_N$ | Nominal current $I_N$ | Cross section AWG | Cross section $\text{mm}^2$ |
| keine  |                       |                       |                   |                             |
|  | 60 V                  | 4 A                   | -                 | -                           |

|  <b>cUL Listed</b><br>Approval ID: FILE E 221474 |                       |                       |                   |                             |
|---|-----------------------|-----------------------|-------------------|-----------------------------|
|   | Nominal voltage $U_N$ | Nominal current $I_N$ | Cross section AWG | Cross section $\text{mm}^2$ |
| keine   |                       |                       |                   |                             |
|   | 60 V                  | 4 A                   | -                 | -                           |

|  <b>EAC-RoHS</b><br>Approval ID: RU D-DE.HB35.B.00387 |  |
|--|--|
|--|--|

# SAC-3P-M 8MR/ 0,6-PUR/M 8FR - Sensor/actuator cable



1682074

<https://www.phoenixcontact.com/us/products/1682074>

## Classifications

### ECLASS

|             |          |
|-------------|----------|
| ECLASS-13.0 | 27060311 |
| ECLASS-15.0 | 27060311 |

### ETIM

|           |          |
|-----------|----------|
| ETIM 10.0 | EC001855 |
|-----------|----------|

### UNSPSC

|             |          |
|-------------|----------|
| UNSPSC 21.0 | 26121600 |
|-------------|----------|

# SAC-3P-M 8MR/ 0,6-PUR/M 8FR - Sensor/actuator cable



1682074

<https://www.phoenixcontact.com/us/products/1682074>

## Environmental product compliance

### EU RoHS

|   |                    |
|---|--------------------|
| Fulfills EU RoHS substance requirements | Yes, No exemptions |
|---|--------------------|

### China RoHS

|  |  |
|--|--|
| Environment friendly use period (EFUP) | EFUP-E                                   |
|  | No hazardous substances above the limits |

### EU REACH SVHC

|                                     |                            |
|-------------------------------------|----------------------------|
| REACH candidate substance (CAS No.) | No substance above 0.1 wt% |
|-------------------------------------|----------------------------|

### EF3.1 Climate Change

|         |               |
|---------|---------------|
| CO2e kg | 0.296 kg CO2e |
|---------|---------------|

Phoenix Contact 2026 © - all rights reserved  
<https://www.phoenixcontact.com>

Phoenix Contact USA  
586 Fulling Mill Road  
Middletown, PA 17057, United States  
(+717) 944-1300  
[info@phoenixcon.com](mailto:info@phoenixcon.com)