

CK6,0P-ED-6,00M AG - Crimp contact



1682070

<https://www.phoenixcontact.com/us/products/1682070>

Please be informed that the data shown in this PDF document is generated from our online catalog. Please find the complete data in the user documentation. Our general terms of use for downloads are valid.



Crimp contact, series: HC-M-...-25, Pin, turned, contact diameter: 6 mm, connection cross section: 6 mm² ... 6 mm², AWG 10...10, contact material: Cu alloy

Commercial data

Item number	1682070
Packing unit	5 pc
Minimum order quantity	10 pc
Sales key	BF65
Product key	AF7AIF
GTIN	4067923236929
Weight per piece (including packing)	8.34 g
Weight per piece (excluding packing)	8.34 g
Customs tariff number	85366990
Country of origin	DE

CK6,0P-ED-6,00M AG - Crimp contact



1682070

<https://www.phoenixcontact.com/us/products/1682070>

Technical data

Notes

General	HC-M-...-25 contact carrier
Assembly note	The quality of a crimp connection is determined by DIN EN 60352-2.

Product properties

Product type	Crimp contact
Series	HC-M-...-25
Contact material type	turned

Connection data

Connection technology

Contact connection type	Pin
Connection method	Crimp connection

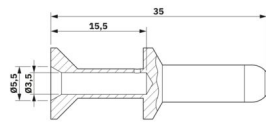
Conductor connection

Stripping length	15.5 mm
Connection cross section	6 mm ² ... 6 mm ²
Connection cross section AWG	10 ... 10

Material specifications

Material Contact	Cu alloy (lead-free)
Material Contact surface	Ag

Dimensions

Dimensional drawing	
Length [l]	35 mm
Diameter (Contact diameter)	6 mm

Mechanical properties

Mechanical data

Insertion/withdrawal cycles	≥ 500
-----------------------------	-------

Environmental and real-life conditions

Ambient conditions

Ambient temperature (operation)	-40 °C ... 125 °C
---------------------------------	-------------------

CK6,0P-ED-6,00M AG - Crimp contact

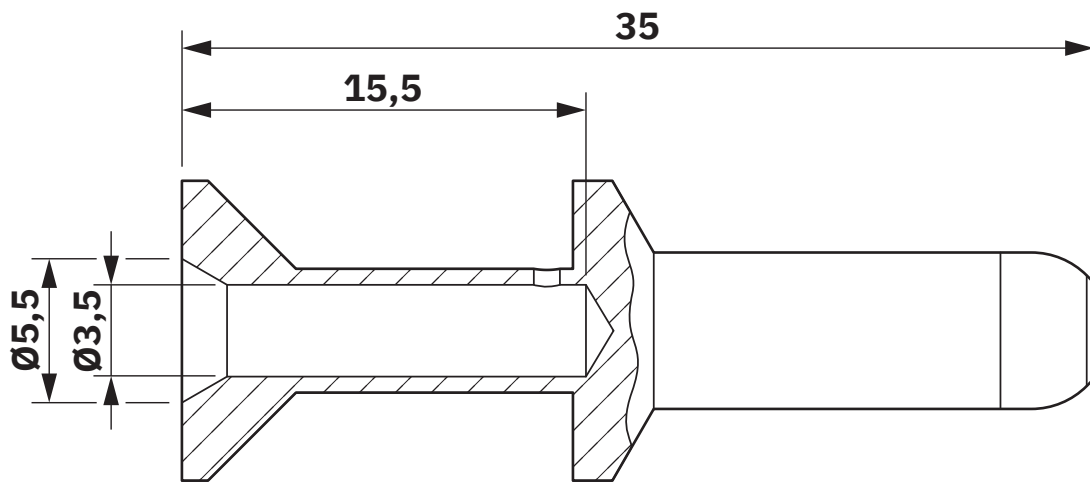


1682070

<https://www.phoenixcontact.com/us/products/1682070>

Drawings

Dimensional drawing



Dimensional drawing

CK6,0P-ED-6,00M AG - Crimp contact



1682070

<https://www.phoenixcontact.com/us/products/1682070>

Classifications

ECLASS

ECLASS-13.0	27440204
ECLASS-15.0	27440204

ETIM

ETIM 10.0	EC000796
-----------	----------

UNSPSC

UNSPSC 21.0	39121500
-------------	----------

CK6,0P-ED-6,00M AG - Crimp contact



1682070

<https://www.phoenixcontact.com/us/products/1682070>

Environmental product compliance

EU RoHS

Fulfills EU RoHS substance requirements	Yes, No exemptions
---	--------------------

China RoHS

Environment friendly use period (EFUP)	EFUP-E
	No hazardous substances above the limits

EU REACH SVHC

REACH candidate substance (CAS No.)	No substance above 0.1 wt%
-------------------------------------	----------------------------

Phoenix Contact 2026 © - all rights reserved
<https://www.phoenixcontact.com>

Phoenix Contact USA
586 Fulling Mill Road
Middletown, PA 17057, United States
(+717) 944-1300
info@phoenixcon.com