

# SAC-3P-M12MS/ 5,0-PUR/M12FR2LB - Sensor/actuator cable



1681062

<https://www.phoenixcontact.com/us/products/1681062>

Please be informed that the data shown in this PDF document is generated from our online catalog. Please find the complete data in the user documentation. Our general terms of use for downloads are valid.



Sensor/actuator cable, 3-position, PUR halogen-free, black-gray RAL 7021, Plug straight M12, coding: A, on Socket angled M12, coding: A, with 2 LEDs, PIN 2+4 bridged, cable length: 5 m

## Commercial data

Item number	1681062
Packing unit	5 pc
Minimum order quantity	25 pc
Sales key	02
Product key	AF1CBA
GTIN	4017918154875
Weight per piece (including packing)	160.1 g
Weight per piece (excluding packing)	160.1 g
Country of origin	PL

# SAC-3P-M12MS/ 5,0-PUR/M12FR2LB - Sensor/actuator cable



1681062

<https://www.phoenixcontact.com/us/products/1681062>

## Technical data

### Product properties

Product type	Sensor/actuator cable
Number of positions	3
No. of cable outlets	1
Shielded	no
Coding	A

### Insulation characteristics

Overvoltage category	II
Degree of pollution	3

### Material specifications

Flammability rating according to UL 94	HB
Seal material	NBR
Material of grip body	TPU, hardly inflammable, self-extinguishing
Contact material	CuSn
Contact surface material	Ni/Au
Contact carrier material	TPU GF
Material for screw connection	Zinc die-cast, nickel-plated
Outer sheath, material	PUR
Conductor material	Bare Cu litz wires

### Electrical properties

Insulation resistance	$\geq 100 \text{ M}\Omega$
Nominal voltage $U_N$	24 V
Nominal current $I_N$	4 A
Max. conductor resistance	58 $\Omega$ /m

### Mechanical properties

#### Mechanical data

Insertion/withdrawal cycles	$\geq 100$
Max. bending cycles	4000000

### Signaling

Status display	2 LEDs
Status display present	yes

### Connector

#### Connection 1

Type	Plug straight M12
Coding type	A

# SAC-3P-M12MS/ 5,0-PUR/M12FR2LB - Sensor/actuator cable

1681062

<https://www.phoenixcontact.com/us/products/1681062>

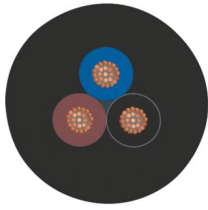
## Connection 2

Type	Socket angled M12
Coding type	A

## Cable/line

Cable length	5 m
--------------	-----

## PUR halogen-free black [PUR]

Dimensional drawing	
Cable weight	23 kg/km
UL AWM Style	20549
Number of positions	3
Shielded	no
Cable type	PUR halogen-free black [PUR]
Conductor structure signal line	42x 0.10 mm
AWG signal line	22
Conductor cross-section	3x 0.34 mm <sup>2</sup> (Signal line)
Wire diameter incl. insulation	1.27 mm ±0.02 mm (Signal line)
External cable diameter	3.85 mm ±0.15 mm
Outer sheath, material	PUR
External sheath, color	black-gray RAL 7021
Conductor material	Bare Cu litz wires
Material wire insulation	PP
Single wire, color	brown, blue, black
Thickness, insulation	≥ 0.21 mm (Core insulation) approx. 0.50 mm (Outer cable sheath)
Overall twist	3 wires, twisted
Max. conductor resistance	max. 58 Ω/km (at 20 °C)
Insulation resistance	≥ 100 GΩ*km (at 20 °C)
Nominal voltage, cable	≤ 300 V
Test voltage	≥ 3000 V
Smallest bending radius, fixed installation	19 mm
Smallest bending radius, movable installation	38 mm
Dynamic load capacity (bending)	Max. bending cycles: 10000000, Bending radius: 38 mm, Bending radius: 10 x D, Traversing path: 10 m, Traversing rate: 3 m/s, Acceleration: 10 m/s <sup>2</sup>
Dynamic load capacity (torsion)	Torsion: ±180 °/m, Torsion cycles: ≥5000000, Torsional frequency: 35 cycles/min.

# SAC-3P-M12MS/ 5,0-PUR/M12FR2LB - Sensor/actuator cable



1681062

<https://www.phoenixcontact.com/us/products/1681062>

Halogen-free	in accordance with DIN VDE 0472 part 815
Flame resistance	in accordance with UL 758/1581 FT2
	DIN EN 60332-2-2 (20 s)
Resistance to oil	in accordance with DIN EN 60811-2-1
Other resistance	Highly resistant to acids, alkaline solutions and solvents
	hydrolysis and microbe resistant
	partly UV-resistant (in accordance with DIN EN ISO 4892-2-A)
Special properties	Flexible cable conduit capable
	Silicone-free
	Free of substances which would hinder coating with paint or varnish
Ambient temperature (operation)	-40 °C ... 80 °C (cable, fixed installation)
	-25 °C ... 80 °C (Cable, flexible installation)

## Environmental and real-life conditions

### Ambient conditions

Degree of protection	IP65
	IP67
	IP68
Ambient temperature (operation) (male connector/female connector)	-25 °C ... 90 °C (Plug / socket)
Ambient temperature (operation) (Cable, fixed installation)	-40 °C ... 80 °C (cable, fixed installation)
Ambient temperature (operation) (Cable, flexible installation)	-5 °C ... 80 °C (Cable, flexible installation)

## Standards and regulations

Standard designation	M12 connector
Standards/specifications	IEC 61076-2-101

# SAC-3P-M12MS/ 5,0-PUR/M12FR2LB - Sensor/actuator cable

1681062

<https://www.phoenixcontact.com/us/products/1681062>

## Drawings

Dimensional drawing



Plug, M12 x 1, straight, shielded

Dimensional drawing



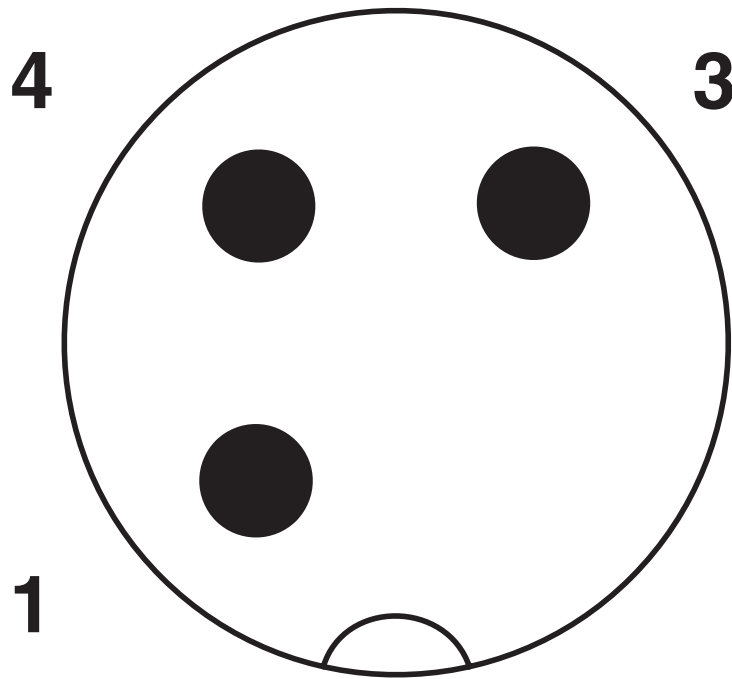
Socket M12 x 1, angled, with LED

# SAC-3P-M12MS/ 5,0-PUR/M12FR2LB - Sensor/actuator cable

1681062

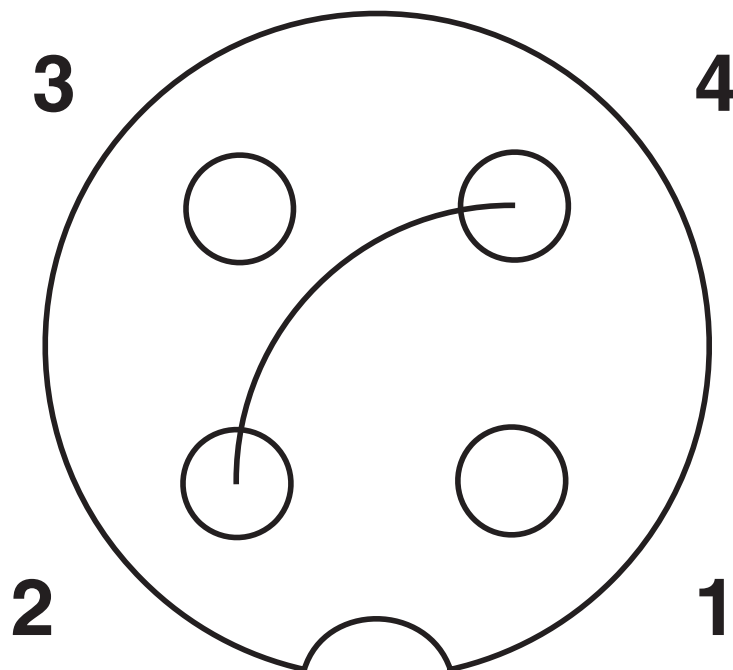
<https://www.phoenixcontact.com/us/products/1681062>

Schematic diagram



Pin assignment M12 plug, 3-pos., A-coded, view male side

Schematic diagram



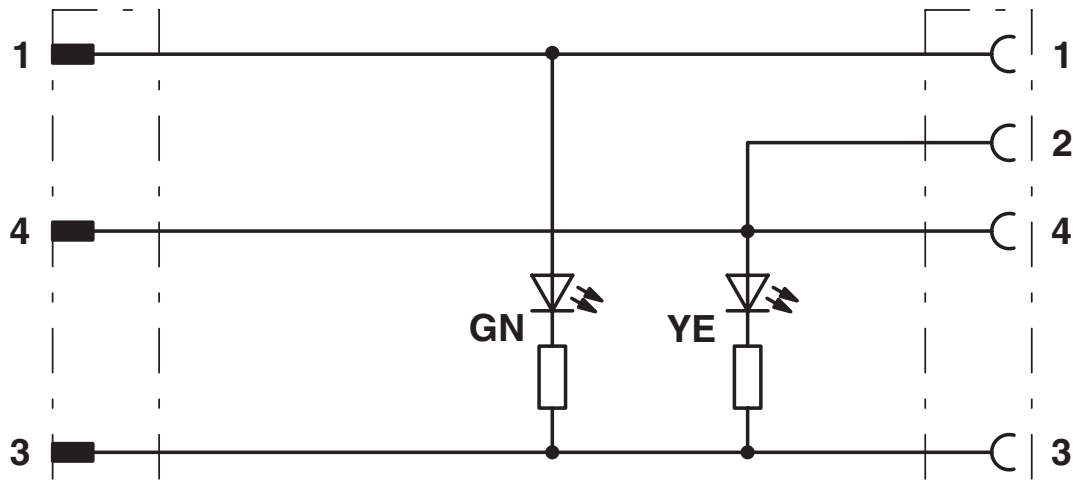
Pin assignment M12 socket, 3-pos., PIN 2+4 bridged, A-coded, view female side

# SAC-3P-M12MS/ 5,0-PUR/M12FR2LB - Sensor/actuator cable

1681062

<https://www.phoenixcontact.com/us/products/1681062>

Circuit diagram



Contact assignment of M12 plugs/sockets bridged with LED

# SAC-3P-M12MS/ 5,0-PUR/M12FR2LB - Sensor/actuator cable



1681062

<https://www.phoenixcontact.com/us/products/1681062>

## Classifications

### ECLASS

ECLASS-15.0	27060311
ECLASS-13.0	27060311

### UNSPSC

UNSPSC 21.0	26121600
-------------	----------

# SAC-3P-M12MS/ 5,0-PUR/M12FR2LB - Sensor/actuator cable



1681062

<https://www.phoenixcontact.com/us/products/1681062>

## Environmental product compliance

### EU RoHS

Fulfills EU RoHS substance requirements	Yes, No exemptions
---	--------------------

### China RoHS

Environment friendly use period (EFUP)	EFUP-E
	No hazardous substances above the limits

### EU REACH SVHC

REACH candidate substance (CAS No.)	No substance above 0.1 wt%
-------------------------------------	----------------------------

Phoenix Contact 2026 © - all rights reserved  
<https://www.phoenixcontact.com>

Phoenix Contact USA  
586 Fulling Mill Road  
Middletown, PA 17057, United States  
(+717) 944-1300  
[info@phoenixcon.com](mailto:info@phoenixcon.com)