

# SACB-4/ 4-SC - Distributor box



1681004

<https://www.phoenixcontact.com/us/products/1681004>

Please be informed that the data shown in this PDF document is generated from our online catalog. Please find the complete data in the user documentation. Our general terms of use for downloads are valid.



Distributor box, connection method: M12 socket Plastic, number of slots: 4, number of positions: 4, coding: A, slot assignment: single, status display: no, Universal; master cable connection: Spring-cage connection 180°, shielding: no

## Your advantages

- Safety in the field, thanks to robust housing and high degree of protection
- Flexible: distributor box with connector hood for on-site assembly

## Commercial data

Item number	1681004
Packing unit	1 pc
Note	Made to order (non-returnable)
Sales key	NULL
Product key	AF3CBC
GTIN	4017918171261
Weight per piece (including packing)	99.4 g
Weight per piece (excluding packing)	102.8 g
Customs tariff number	85444290
Country of origin	PL

# SACB-4/ 4-SC - Distributor box



1681004

<https://www.phoenixcontact.com/us/products/1681004>

## Technical data

### Product properties

Product type	Distributor box
Number of positions	4
Number of slots	4
Coding	A
LED	no

### Electrical properties

Max. operating voltage $U_{max}$	135 V
Nominal voltage $U_N$	120 V
Rated current, total	12 A
Max. current carrying capacity per path	2 A
Current carrying capacity per slot	4 A

### Connection data

#### Conductor connection

Sensor/actuator connection system	M12 socket
Conductor cross-section Flexible signal line	0.14 mm <sup>2</sup> ... 1 mm <sup>2</sup>
Conductor cross-section Flexible power supply	0.2 mm <sup>2</sup> ... 1.5 mm <sup>2</sup>
Connection cross section AWG Flexible signal line	26 ... 17
Connection cross section AWG Flexible power supply	24 ... 16
Stripping length Signal line	10 mm
Tightening torque slot sensor/actuator cable	0.4 Nm
Tightening torque, union nut	2.5 Nm

#### Connection assignment

Slot/position = Wire color or connection	1 / 4 (A) = 1 / 4
	2 / 4 (A) = 2 / 4
	3 / 4 (A) = 3 / 4
	4 / 4 (A) = 4 / 4
	1-4 / 1 (+ 120 V) = $U_N$
	1-4 / 3 (0 V) = 0 V
	1-4 / 5 (PE) = PE

### Signaling

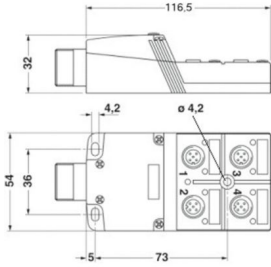
Status display present	no
------------------------	----

### Dimensions

# SACB-4/ 4-SC - Distributor box

1681004

<https://www.phoenixcontact.com/us/products/1681004>

Dimensional drawing	
Width	54 mm
Height	32 mm
Length	117 mm

## Material specifications

Material Threaded sleeve	PA
Material Housing	PA
Flammability rating according to UL 94	V0
Seal material O-ring	NBR
Contact material	CuSn
Contact surface material	Ni/Au
Contact carrier material	PA
Material of contact, master cable side	CuZn
Material of the contact carrier on the master cable side	PA 6.6 V0
Material of contact surface, master cable side	NiSn

## Cable/line

External cable diameter	6.5 mm ... 9.5 mm
Connection method	Spring-cage connection

## Environmental and real-life conditions

### Ambient conditions

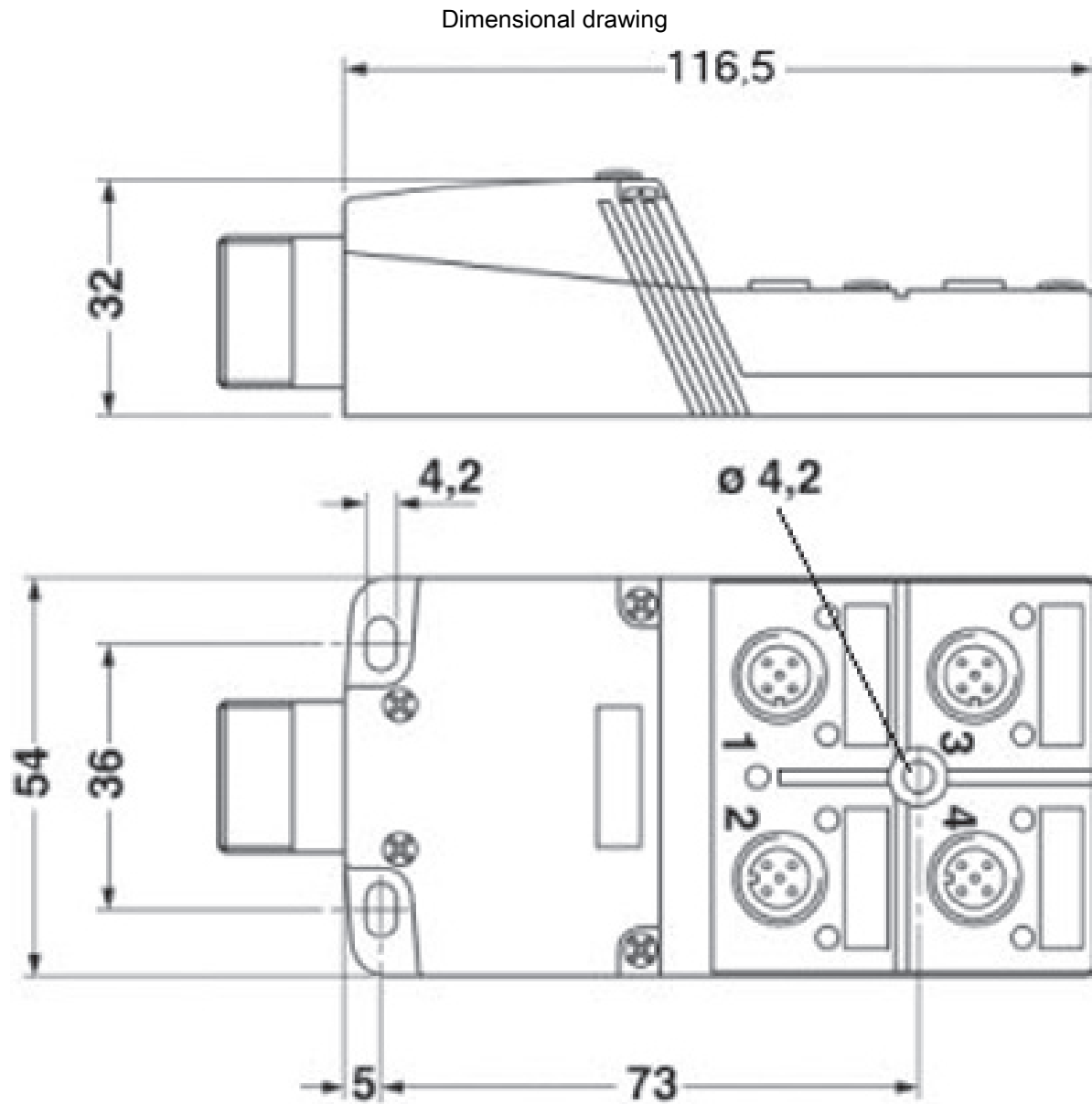
Degree of protection	IP65
	IP67
Ambient temperature (operation)	-25 °C ... 75 °C

# SACB-4/ 4-SC - Distributor box

1681004

<https://www.phoenixcontact.com/us/products/1681004>

## Drawings



# SACB-4/ 4-SC - Distributor box

1681004

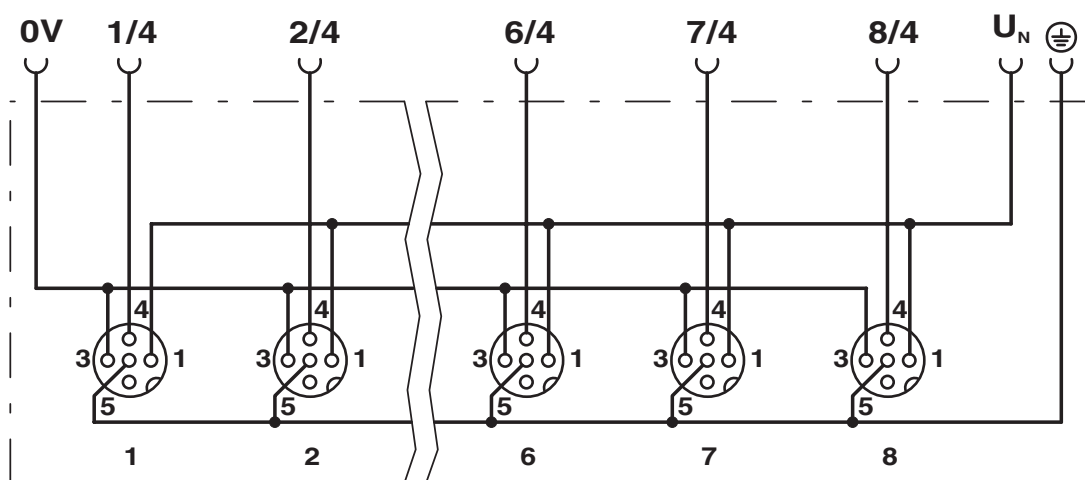
<https://www.phoenixcontact.com/us/products/1681004>

Schematic diagram



M12 slot, socket, 4-pos.

Circuit diagram



# SACB-4/ 4-SC - Distributor box



1681004

<https://www.phoenixcontact.com/us/products/1681004>

## Classifications

### ECLASS

ECLASS-13.0	27440111
ECLASS-15.0	27440111

# SACB-4/ 4-SC - Distributor box



1681004

<https://www.phoenixcontact.com/us/products/1681004>

## Environmental product compliance

EU REACH SVHC

REACH candidate substance (CAS No.)	No substance above 0.1 wt%
-------------------------------------	----------------------------

Phoenix Contact 2026 © - all rights reserved

<https://www.phoenixcontact.com>

Phoenix Contact USA  
586 Fulling Mill Road  
Middletown, PA 17057, United States  
(+717) 944-1300  
[info@phoenixcon.com](mailto:info@phoenixcon.com)