

# SACB-8/ 8- 5,0PUR - Distributor box



1680982

<https://www.phoenixcontact.com/us/products/1680982>

Please be informed that the data shown in this PDF document is generated from our online catalog. Please find the complete data in the user documentation. Our general terms of use for downloads are valid.



Distributor box, connection method: M12 socket Plastic, number of slots: 8, number of positions: 4, coding: A, slot assignment: single, status display: no, Universal; master cable connection: Fixed connection 180°, PUR/PVC, cable length: 5 m, shielding: no

## Your advantages

- Safety in the field, thanks to robust housing and high degree of protection

## Commercial data

Item number	1680982
Packing unit	1 pc
Note	Made to order (non-returnable)
Sales key	NULL
Product key	AF3CBA
GTIN	4017918171223
Weight per piece (including packing)	668.6 g
Weight per piece (excluding packing)	668.6 g
Customs tariff number	85444290
Country of origin	PL

# SACB-8/ 8- 5,0PUR - Distributor box



1680982

<https://www.phoenixcontact.com/us/products/1680982>

## Technical data

### Product properties

Product type	Distributor box
Number of positions	4
Number of slots	8
Coding	A
LED	no

### Electrical properties

Max. operating voltage $U_{max}$	135 V
Nominal voltage $U_N$	120 V
Rated current, total	12 A
Max. current carrying capacity per path	2 A
Current carrying capacity per slot	4 A

### Connection data

#### Conductor connection

Sensor/actuator connection system	M12 socket
Tightening torque slot sensor/actuator cable	0.4 Nm

#### Connection assignment

Slot/position = Wire color or connection	1 / 4 (A) = WH
	2 / 4 (A) = GN
	3 / 4 (A) = YE
	4 / 4 (A) = GY
	5 / 4 (A) = PK
	6 / 4 (A) = RD
	7 / 4 (A) = BK
	8 / 4 (A) = VT
	1-8 / 1 (+ 120 V) = BN
	1-8 / 3 (0 V) = BU
	1-8 / 5 (PE) = GNYE

### Signaling

Status display present	no
------------------------	----

### Dimensions

# SACB-8/ 8- 5,0PUR - Distributor box



1680982

<https://www.phoenixcontact.com/us/products/1680982>

Dimensional drawing	
Width	54 mm
Height	19 mm
Length	127 mm

## Material specifications

Material Threaded sleeve	PA
Material Housing	PA
Flammability rating according to UL 94	V0
Seal material O-ring	NBR
Contact material	CuSn
Contact surface material	Ni/Au
Contact carrier material	PA

## Cable/line

Cable length	5 m
--------------	-----

## PUR/PVC black [PUR]

Dimensional drawing	
Cable weight	107.4 kg/km
UL AWM Style	20549 (80°C/300 V)
Number of positions	11
Shielded	no
Cable type	PUR/PVC black [PUR]
Conductor structure signal line	19x 0.15 mm
AWG signal line	22
Conductor structure, voltage supply	42x 0.15 mm
AWG power supply	18
Conductor cross-section	8x 0.34 mm <sup>2</sup> (Signal line) 3x 0.75 mm <sup>2</sup> (power line)

# SACB-8/ 8- 5,0PUR - Distributor box



1680982

<https://www.phoenixcontact.com/us/products/1680982>

Wire diameter incl. insulation	1.3 mm ±0.1 mm (Signal line)
	1.8 mm ±0.1 mm (power line)
External cable diameter	8.50 mm ±0.2 mm
Outer sheath, material	PUR
External sheath, color	black RAL 9005
Conductor material	Bare Cu litz wires
Material wire insulation	PVC
Single wire, color	brown, blue, green/yellow, white, green, yellow, gray, pink, red, black, violet
Inner sheath thickness	≥ 0.15 mm
Thickness, outer sheath	≥ 0.38 mm
Overall twist	Wires twisted in layers
Max. conductor resistance	≤ 53 Ω/km (Signal line)
	≤ 26 Ω/km (power line)
Insulation resistance	≥ 5 MΩ*km
Nominal voltage, cable	300 V AC
Test voltage Core/Core	2000 V (50 Hz, 5 min.)
Minimum bending radius, fixed installation	7.5 x D
Minimum bending radius, flexible installation	10 x D
Smallest bending radius, fixed installation	64 mm
Smallest bending radius, movable installation	85 mm
Dynamic load capacity (bending)	Max. bending cycles: 1500000, Bending radius: 10 x D, Traversing path: 2 m, Traversing rate: 2 m/s
Flame resistance	DIN EN 50265
Resistance to oil	according to VDE 0472 Part 803
Other resistance	Highly resistant to acids, alkaline solutions and solvents
Special properties	Silicone-free
Ambient temperature (operation)	-40 °C ... 90 °C (cable, fixed installation)
	-5 °C ... 80 °C (Cable, flexible installation)

## Environmental and real-life conditions

### Ambient conditions

Degree of protection	IP65
	IP67
Ambient temperature (operation)	-25 °C ... 75 °C

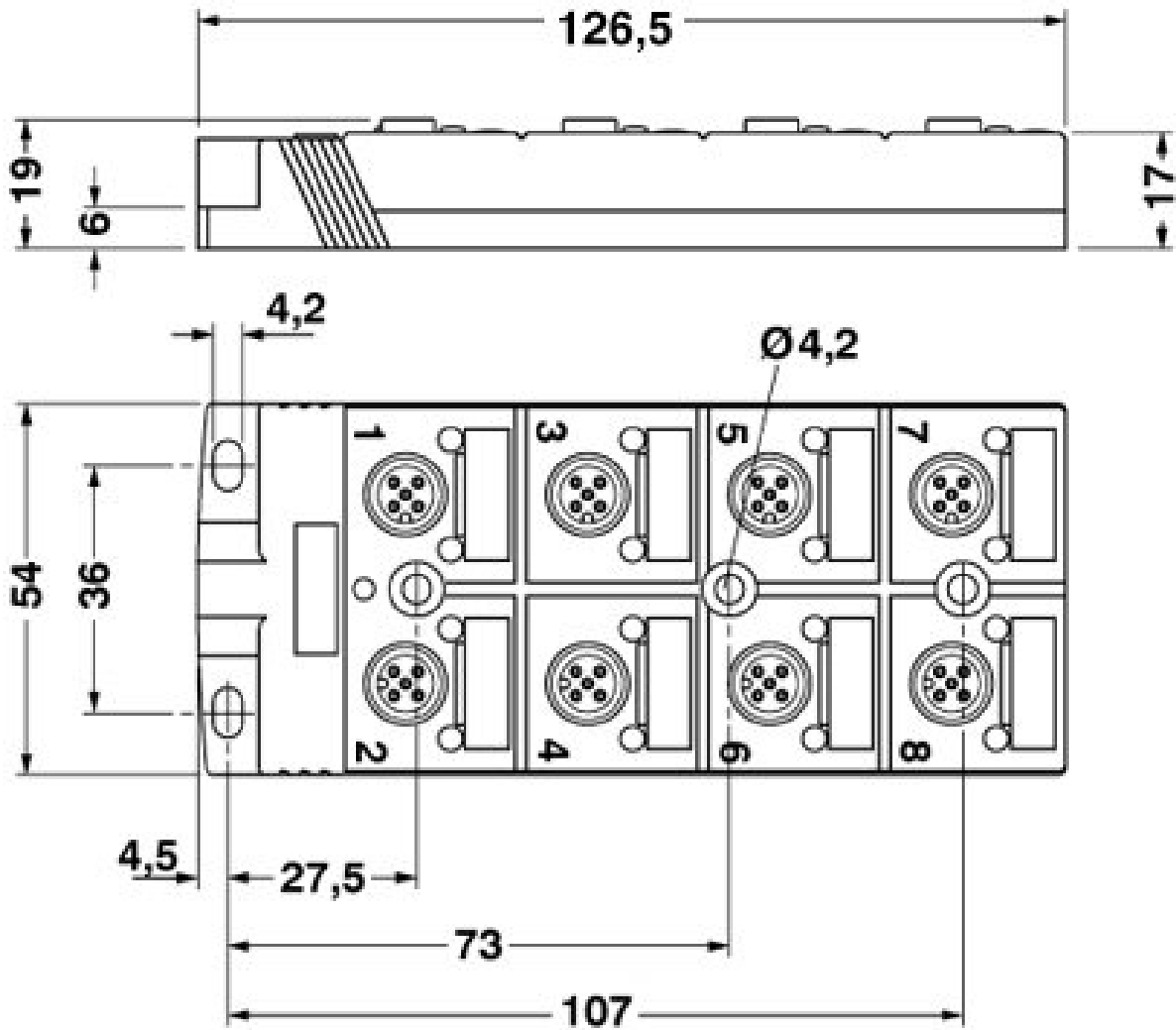
# SACB-8/ 8- 5,0PUR - Distributor box

1680982

<https://www.phoenixcontact.com/us/products/1680982>

## Drawings

Dimensional drawing



# SACB-8/ 8- 5,0PUR - Distributor box

1680982

<https://www.phoenixcontact.com/us/products/1680982>

Schematic diagram



M12 slot, socket, 4-pos.

Circuit diagram



# SACB-8/ 8- 5,0PUR - Distributor box



1680982

<https://www.phoenixcontact.com/us/products/1680982>

## Classifications

### ECLASS

ECLASS-13.0	27440108
ECLASS-15.0	27440108

# SACB-8/ 8- 5,0PUR - Distributor box



1680982

<https://www.phoenixcontact.com/us/products/1680982>

## Environmental product compliance

EU REACH SVHC

REACH candidate substance (CAS No.)	No substance above 0.1 wt%
-------------------------------------	----------------------------

Phoenix Contact 2026 © - all rights reserved

<https://www.phoenixcontact.com>

Phoenix Contact USA  
586 Fulling Mill Road  
Middletown, PA 17057, United States  
(+717) 944-1300  
[info@phoenixcon.com](mailto:info@phoenixcon.com)