

HC-D 25-EBUC-R - Contact insert

1679524

<https://www.phoenixcontact.com/us/products/1679524>

Please be informed that the data shown in this PDF document is generated from our online catalog. Please find the complete data in the user documentation. Our general terms of use for downloads are valid.

HEAVYCON female insert, D25 series, 25-pos., crimp connection, rolled contacts



Commercial data

Item number	1679524
Packing unit	1 pc
Note	Made to order (non-returnable)
Sales key	BF61
Product key	AF7ABE
GTIN	4017918163754
Weight per piece (including packing)	45.32 g
Weight per piece (excluding packing)	45.32 g
Customs tariff number	85366990
Country of origin	CZ

HC-D 25-EBUC-R - Contact insert



1679524

<https://www.phoenixcontact.com/us/products/1679524>

Technical data

Mounting

Assembly note	To ensure correct use, installation in housing with IP54 protection or better is required
	Connectors may be plugged in only when there is no load/voltage.

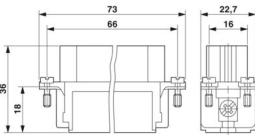
Product properties

Product type	Contact insert with a fixed no. of positions
Series	HC-D
Type	D25 D50
Number of positions	25
Connection profile	25+PE
Contact material type	rolled

Insulation characteristics

Overvoltage category	III
Degree of pollution	3

Dimensions

Dimensional drawing	
Width	22.7 mm
Height	36 mm
Length	73 mm
Drill hole distance, horizontal	66 mm
Drill hole distance, vertical	16 mm

Mechanical characteristics

Contact diameter	1.6 mm
------------------	--------

Connection data

Connection technology

Connection technology	Crimp connection
Connection in acc. with standard	IEC / EN

Conductor connection

Conductor cross-section	0.14 mm ² ... 1.5 mm ²
Connection cross section AWG	26 ... 16
Stripping length of the individual wire	3 mm +0,5 mm (0.14 mm ² ... 0.5 mm ²)

HC-D 25-EBUC-R - Contact insert



1679524

<https://www.phoenixcontact.com/us/products/1679524>

	3.5 mm +1 mm (0.5 mm ² ... 1.5 mm ²)
--	---

Electrical properties

Rated voltage (III/3)	250 V
Rated surge voltage	4 kV
Rated current	10 A
Test voltage	4 kV AC

Mechanical properties

Mechanical data

Insertion/withdrawal cycles	≥ 500
-----------------------------	-------

Material specifications

Flammability rating according to UL 94	V0
Contact material	Copper alloy
Contact surface material	Ag (alternatively Au)
Contact carrier material	PC

Environmental and real-life conditions

Ambient conditions

Ambient temperature (operation)	-40 °C ... 125 °C (including heating up of contacts)
---------------------------------	--

Standards and regulations

Constructional and testing regulations	DIN VDE 0627/86
	DIN VDE 0110/02.79
	DIN VDE 0110-1/04.97
	IEC 60664-1, DIN IEC 60512
	IEC 60352
Tests	DIN VDE 0627/86
	DIN VDE 0110/02.79
	DIN VDE 0110-1/04.97
	IEC 60664-1, DIN IEC 60512
	IEC 60352

HC-D 25-EBUC-R - Contact insert

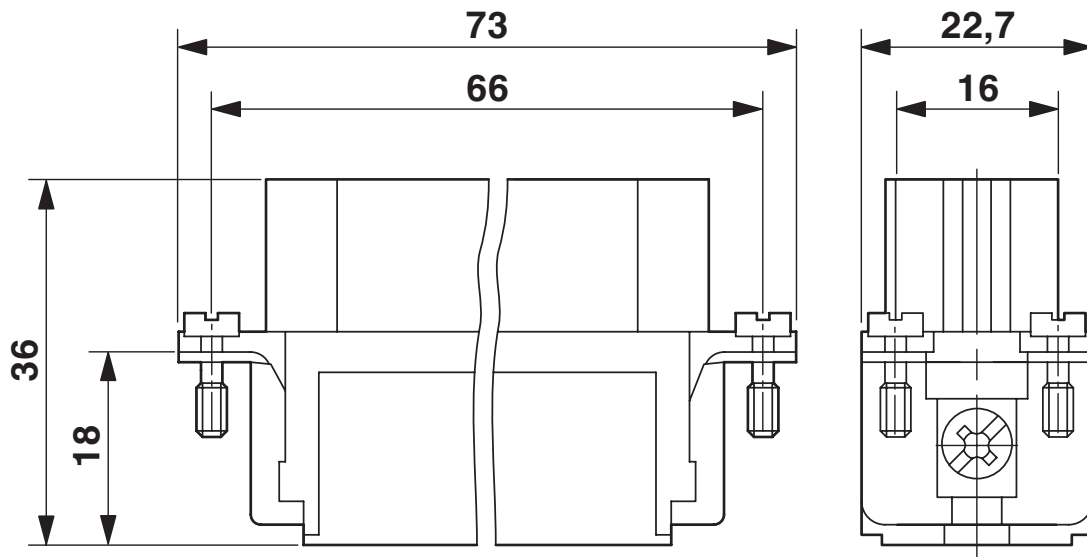


1679524

<https://www.phoenixcontact.com/us/products/1679524>

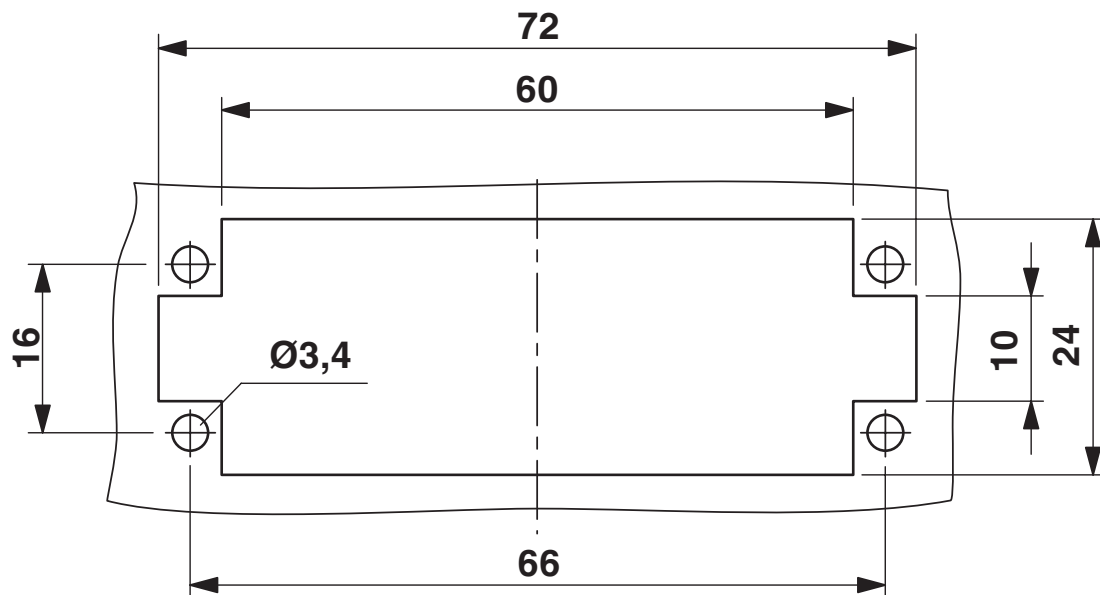
Drawings

Dimensional drawing



Female insert

Dimensional drawing



Mounting cutout when used without housing

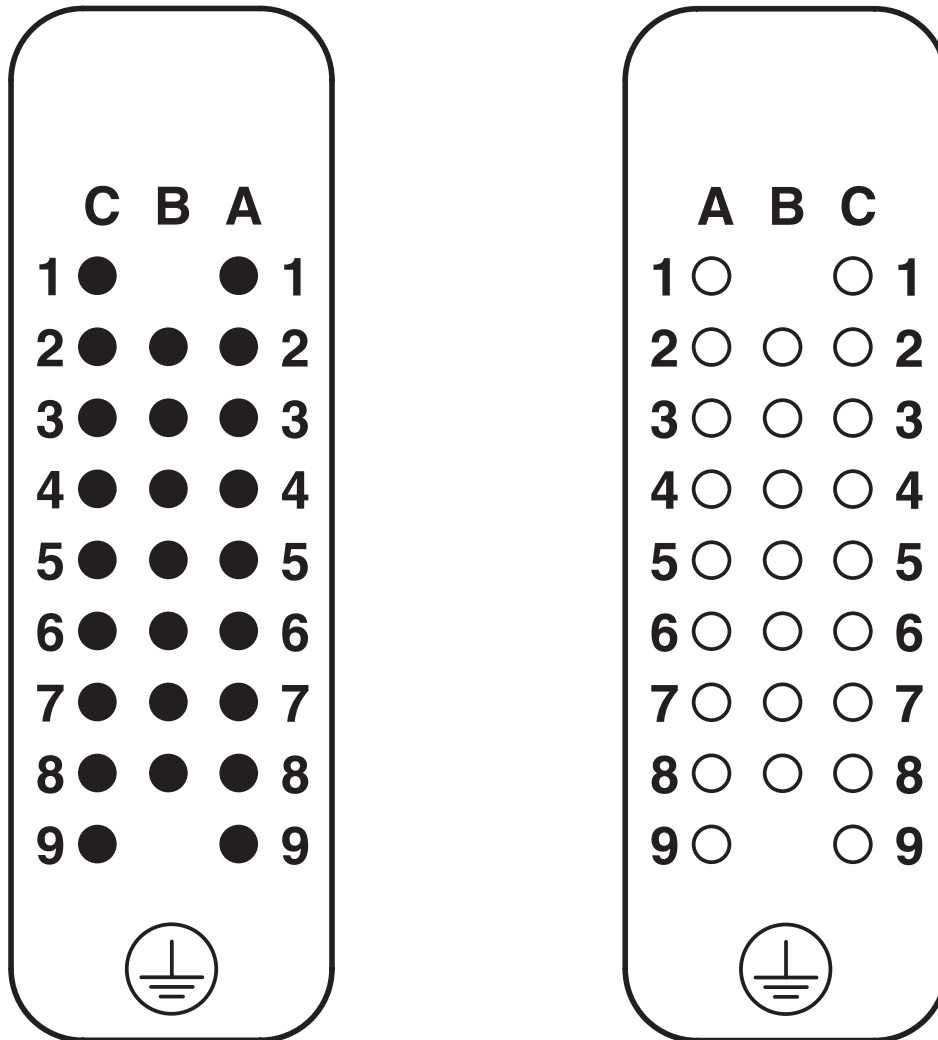
HC-D 25-EBUC-R - Contact insert



1679524

<https://www.phoenixcontact.com/us/products/1679524>

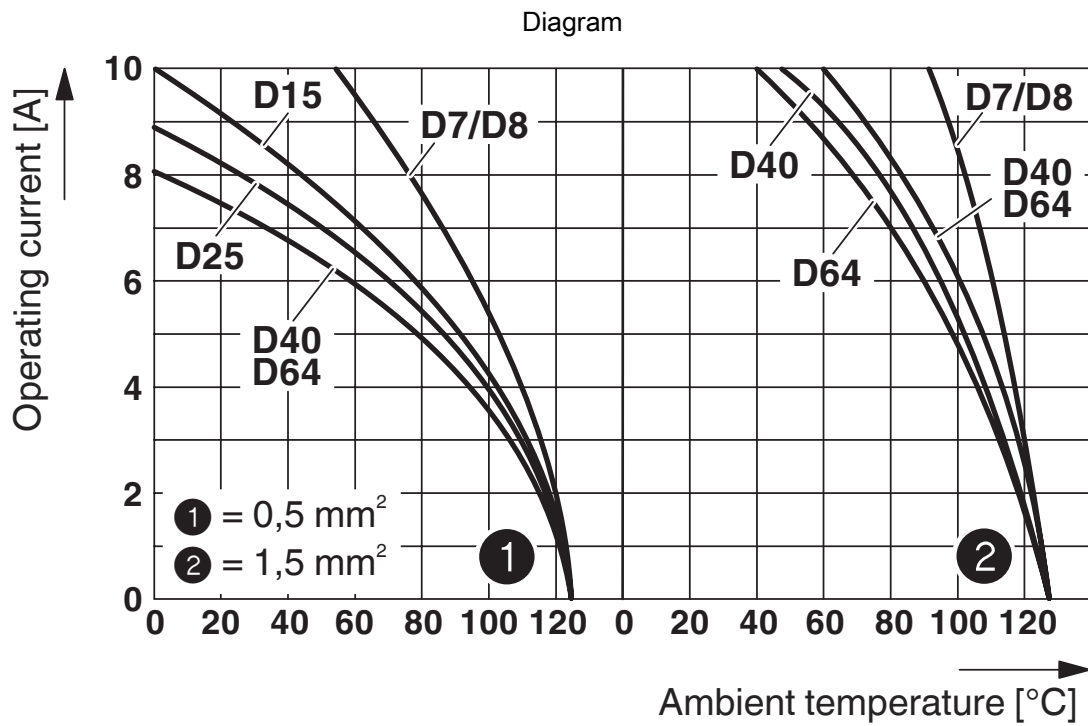
Schematic diagram



Connector pin assignment connection side: Left pin; right socket

1679524

<https://www.phoenixcontact.com/us/products/1679524>



Derating diagram: Series HC-D...C-R

HC-D 25-EBUC-R - Contact insert



1679524

<https://www.phoenixcontact.com/us/products/1679524>

Classifications

ECLASS

ECLASS-13.0	27440205
ECLASS-15.0	27440205

UNSPSC

UNSPSC 21.0	39121522
-------------	----------

HC-D 25-EBUC-R - Contact insert



1679524

<https://www.phoenixcontact.com/us/products/1679524>

Environmental product compliance

EU RoHS

Fulfills EU RoHS substance requirements	Yes, No exemptions
---	--------------------

China RoHS

Environment friendly use period (EFUP)	EFUP-E
	No hazardous substances above the limits

EU REACH SVHC

REACH candidate substance (CAS No.)	No substance above 0.1 wt%
-------------------------------------	----------------------------

Phoenix Contact 2026 © - all rights reserved
<https://www.phoenixcontact.com>

Phoenix Contact USA
586 Fulling Mill Road
Middletown, PA 17057, United States
(+717) 944-1300
info@phoenixcon.com