

# HC-K 4/0-EBUS - Contact insert



1679427

<https://www.phoenixcontact.com/us/products/1679427>

Please be informed that the data shown in this PDF document is generated from our online catalog. Please find the complete data in the user documentation. Our general terms of use for downloads are valid.



Contact insert, number of positions: 4+PE, size: B16, power contacts: 4, control contacts: 0, Socket, Screw connection, 830 V, 80 A, 1.5 mm<sup>2</sup> ... 16 mm<sup>2</sup>, application: Power

## Your advantages

- Shock and vibration-resistant in accordance with DIN EN 61373

## Commercial data

Item number	1679427
Packing unit	1 pc
Minimum order quantity	1 pc
Sales key	BF61
Product key	AF7ABA
GTIN	4017918168865
Weight per piece (including packing)	117.1 g
Weight per piece (excluding packing)	114.9 g
Customs tariff number	85366990
Country of origin	CN

# HC-K 4/0-EBUS - Contact insert



1679427

<https://www.phoenixcontact.com/us/products/1679427>

## Technical data

### Mounting

Assembly note	To ensure correct use, installation in housing with IP54 protection or better is required
	Use wire end protection (screw connections do not have wire protection)

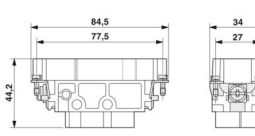
### Product properties

Product type	Contact insert with a fixed no. of positions
Series	HC-K
Application	Power
Type	B16 B32
Number of positions	4
Connection profile	4+PE
Contact numbering	1 - 4
No. of power contacts	4
No. of control contacts	0
Contact material type	turned
Screwdriver blade	0.8 x 4.5 mm (power contacts)

### Insulation characteristics

Overvoltage category	III
Degree of pollution	3

### Dimensions

Dimensional drawing	
Width	34 mm
Height	44.2 mm
Length	84.5 mm
Drill hole distance, horizontal	77.5 mm

### Mechanical characteristics

Contact diameter	6 mm
------------------	------

### Connection data

#### Connection technology

Connection technology	Screw connection (power contacts)
-----------------------	-----------------------------------

#### Conductor connection

# HC-K 4/0-EBUS - Contact insert



1679427

<https://www.phoenixcontact.com/us/products/1679427>

Conductor cross-section	1.5 mm <sup>2</sup> ... 16 mm <sup>2</sup>
Connection cross section AWG	16 ... 6
Tightening torque	0.8 Nm ... 1.2 Nm (PE connection cross-section with cable lug expandable to 16 mm <sup>2</sup> )
	0.5 Nm ... 0.8 Nm (Mounting screws for mounting in the HEAVYCON housing)
	3 Nm (4.0 mm <sup>2</sup> ... 16 mm <sup>2</sup> )
	2 Nm (2.5 mm <sup>2</sup> )
	1.2 Nm (1.5 mm <sup>2</sup> )
Stripping length of the individual wire	14 mm
Stripping length	14 mm

## Electrical properties

Rated voltage (III/3)	830 V (power contacts)
Rated surge voltage	8 kV (power contacts)
Rated current	80 A (power contacts)

## Mechanical properties

### Mechanical data

Insertion/withdrawal cycles	≥ 500
-----------------------------	-------

## Material specifications

Flammability rating according to UL 94	V0
Contact material	Cu alloy
Contact surface material	Ag
Contact carrier material	PC
Material of contact surface, power contact	Ag
Standards/regulations	PC
	PC

## Environmental and real-life conditions

### Ambient conditions

Ambient temperature (operation)	-40 °C ... 125 °C
---------------------------------	-------------------

## Standards and regulations

### Testing

Standards/regulations	PC: Fire protection in rail vehicles - requirement set R22 acc. to DIN EN 45545-2 (Risk level HL1 - HL2)
	PC: Fire protection in rail vehicles - requirement set R23 acc. to DIN EN 45545-2 (Risk level HL1 - HL3)

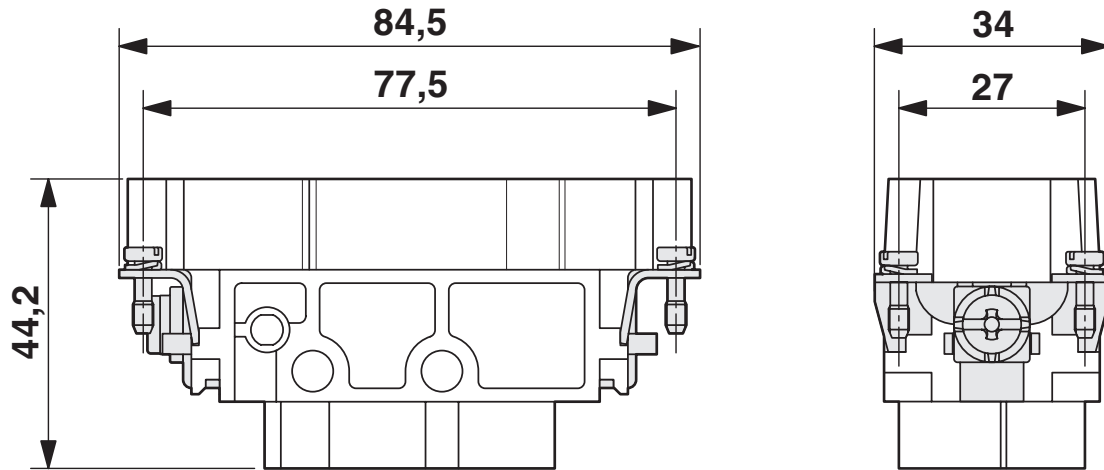
# HC-K 4/0-EBUS - Contact insert

1679427

<https://www.phoenixcontact.com/us/products/1679427>

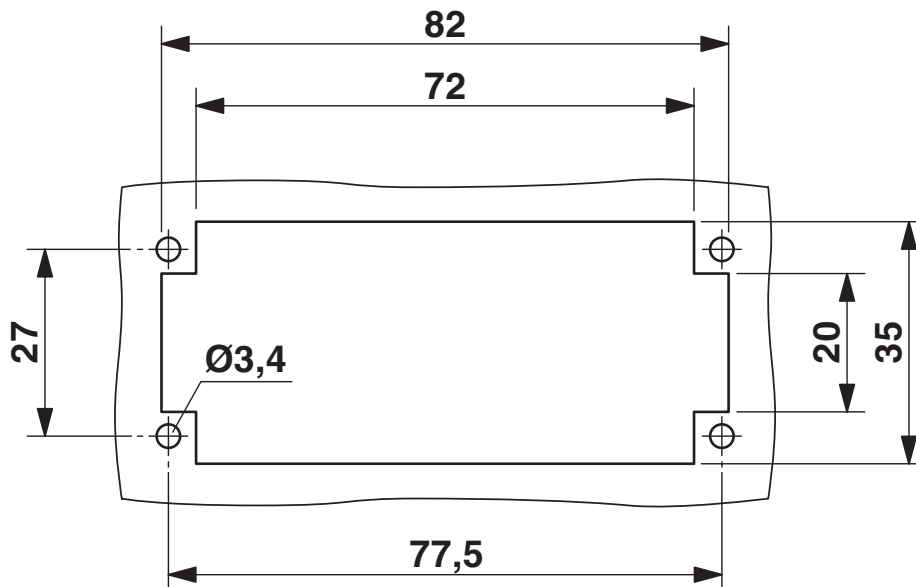
## Drawings

Dimensional drawing



## Female insert

Dimensional drawing



Mounting cutout when used without housing

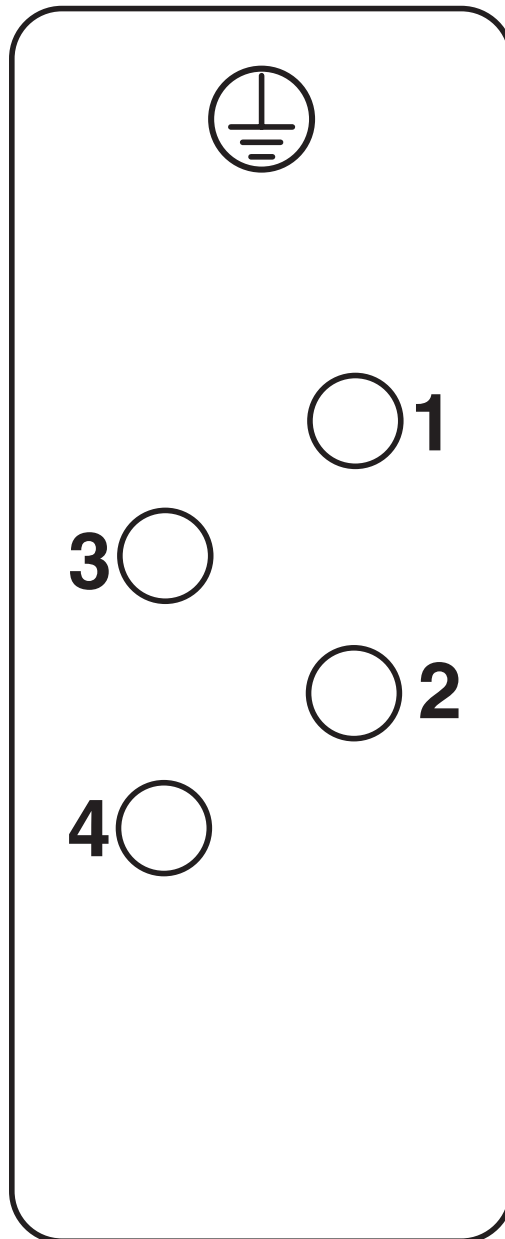
# HC-K 4/0-EBUS - Contact insert

1679427

<https://www.phoenixcontact.com/us/products/1679427>



Schematic diagram



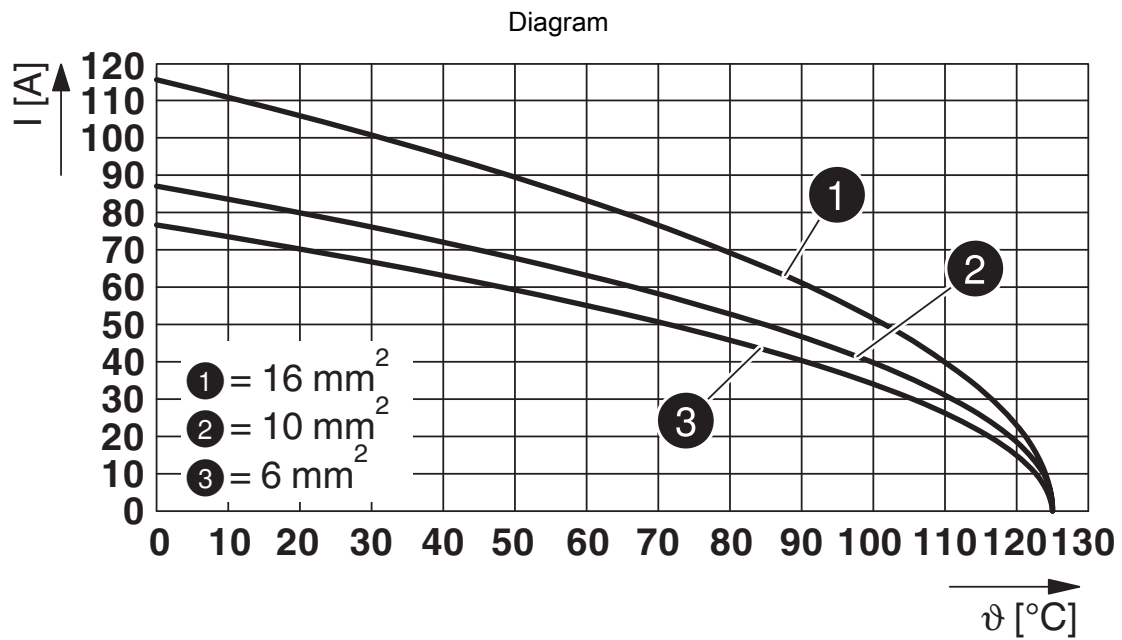
Connector pin assignment, connection side

# HC-K 4/0-EBUS - Contact insert



1679427

<https://www.phoenixcontact.com/us/products/1679427>



Derating diagram

# HC-K 4/0-EBUS - Contact insert




1679427

<https://www.phoenixcontact.com/us/products/1679427>

## Approvals

To download certificates, visit the product detail page: <https://www.phoenixcontact.com/us/products/1679427>

 <b>UL Recognized</b> Approval ID: E118976				
	Nominal voltage $U_N$	Nominal current $I_N$	Cross section AWG	Cross section $\text{mm}^2$
keine				
	600 V	80 A	- 6	-

# HC-K 4/0-EBUS - Contact insert



1679427

<https://www.phoenixcontact.com/us/products/1679427>

## Classifications

### ECLASS

ECLASS-13.0	27440205
ECLASS-15.0	27440205

### ETIM

ETIM 10.0	EC000438
-----------	----------

### UNSPSC

UNSPSC 21.0	39121500
-------------	----------

# HC-K 4/0-EBUS - Contact insert



1679427

<https://www.phoenixcontact.com/us/products/1679427>

## Environmental product compliance

### EU RoHS

Fulfills EU RoHS substance requirements	Yes
Exemption	6(c)

### China RoHS

Environment friendly use period (EFUP)	EFUP-E
	No hazardous substances above the limits

### EU REACH SVHC

REACH candidate substance (CAS No.)	Lead(CAS: 7439-92-1)
SCIP	909012c5-b36c-429a-a199-41c91cd50023

### EF3.1 Climate Change

CO2e kg	9.984 kg CO2e
---------	---------------

Phoenix Contact 2026 © - all rights reserved  
<https://www.phoenixcontact.com>

Phoenix Contact USA  
586 Fulling Mill Road  
Middletown, PA 17057, United States  
(+717) 944-1300  
[info@phoenixcon.com](mailto:info@phoenixcon.com)