

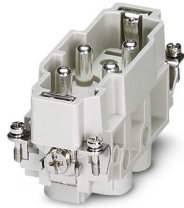
HC-K 4/0-ESTS - Contact insert



1679414

<https://www.phoenixcontact.com/us/products/1679414>

Please be informed that the data shown in this PDF document is generated from our online catalog. Please find the complete data in the user documentation. Our general terms of use for downloads are valid.



Contact insert, number of positions: 4+PE, size: B16, power contacts: 4, control contacts: 0, Pin, Screw connection, 830 V, 80 A, 1.5 mm² ... 16 mm², application: Power

Your advantages

- Shock and vibration-resistant in accordance with DIN EN 61373

Commercial data

Item number	1679414
Packing unit	1 pc
Minimum order quantity	1 pc
Sales key	BF61
Product key	AF7ABA
GTIN	4017918168858
Weight per piece (including packing)	118.6 g
Weight per piece (excluding packing)	115.8 g
Customs tariff number	85366990
Country of origin	CN

HC-K 4/0-ESTS - Contact insert



1679414

<https://www.phoenixcontact.com/us/products/1679414>

Technical data

Mounting

Assembly note	To ensure correct use, installation in housing with IP54 protection or better is required
	Use wire end protection (screw connections do not have wire protection)

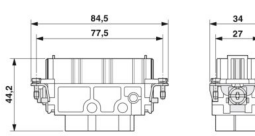
Product properties

Product type	Contact insert with a fixed no. of positions
Series	HC-K
Application	Power
Type	B16 B32
Number of positions	4
Connection profile	4+PE
Contact numbering	1 - 4
No. of power contacts	4
No. of control contacts	0
Contact material type	turned
Screwdriver blade	0.8 x 4.5 mm (power contacts)

Insulation characteristics

Overvoltage category	III
Degree of pollution	3

Dimensions

Dimensional drawing	
Width	34 mm
Height	42 mm
Length	84.5 mm
Drill hole distance, horizontal	77.5 mm

Mechanical characteristics

Contact diameter	6 mm
------------------	------

Connection data

Connection technology

Connection technology	Screw connection (power contacts)
-----------------------	-----------------------------------

Conductor connection

HC-K 4/0-ESTS - Contact insert



1679414

<https://www.phoenixcontact.com/us/products/1679414>

Conductor cross-section	1.5 mm ² ... 16 mm ²
Connection cross section AWG	16 ... 6
Tightening torque	0.8 Nm ... 1.2 Nm (PE connection cross-section with cable lug expandable to 16 mm ²)
	0.5 Nm ... 0.8 Nm (Mounting screws for mounting in the HEAVYCON housing)
	3 Nm (4.0 mm ² ... 16 mm ²)
	2 Nm (2.5 mm ²)
	1.2 Nm (1.5 mm ²)
Stripping length of the individual wire	14 mm

Electrical properties

Rated voltage (III/3)	830 V (power contacts)
Rated surge voltage	8 kV (power contacts)
Rated current	80 A (power contacts)

Mechanical properties

Mechanical data

Insertion/withdrawal cycles	≥ 500
-----------------------------	-------

Material specifications

Flammability rating according to UL 94	V0
Contact material	Cu alloy
Contact surface material	Ag
Contact carrier material	PC
Material of contact surface, power contact	Ag
Standards/regulations	PC
	PC

Environmental and real-life conditions

Ambient conditions

Ambient temperature (operation)	-40 °C ... 125 °C
---------------------------------	-------------------

Standards and regulations

Testing

Standards/regulations	PC: Fire protection in rail vehicles - requirement set R22 acc. to DIN EN 45545-2 (Risk level HL1 - HL2)
	PC: Fire protection in rail vehicles - requirement set R23 acc. to DIN EN 45545-2 (Risk level HL1 - HL3)

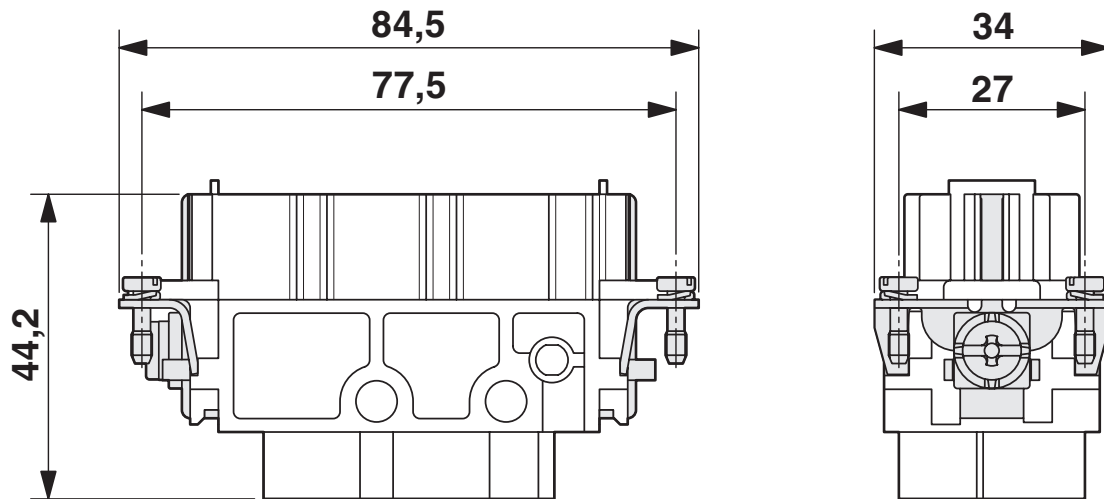
HC-K 4/0-ESTS - Contact insert

1679414

<https://www.phoenixcontact.com/us/products/1679414>

Drawings

Dimensional drawing



Male insert

Dimensional drawing



Mounting cutout when used without housing

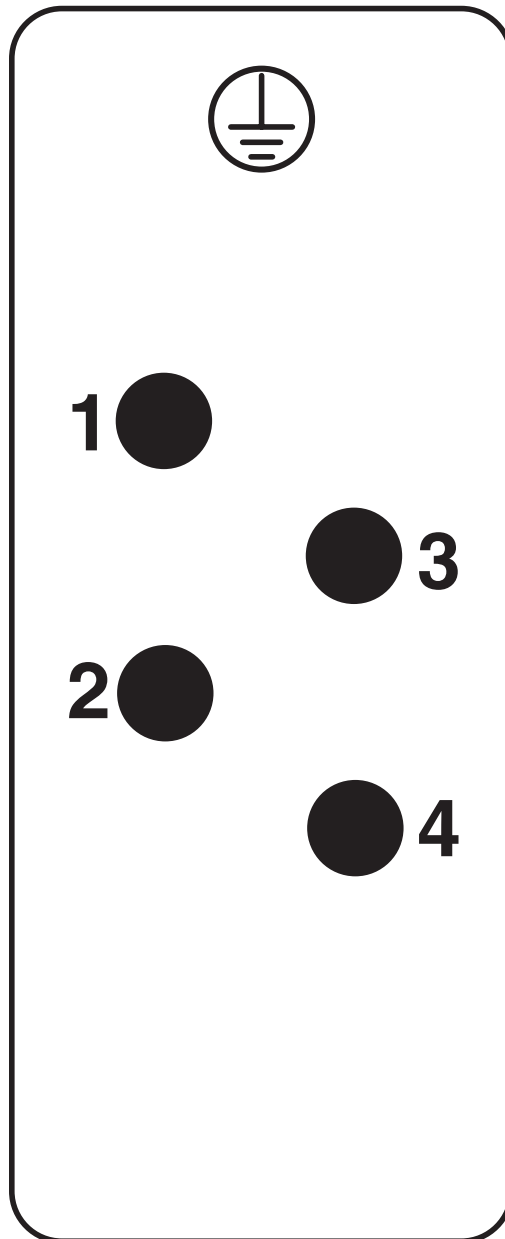
HC-K 4/0-ESTS - Contact insert

1679414

<https://www.phoenixcontact.com/us/products/1679414>



Schematic diagram



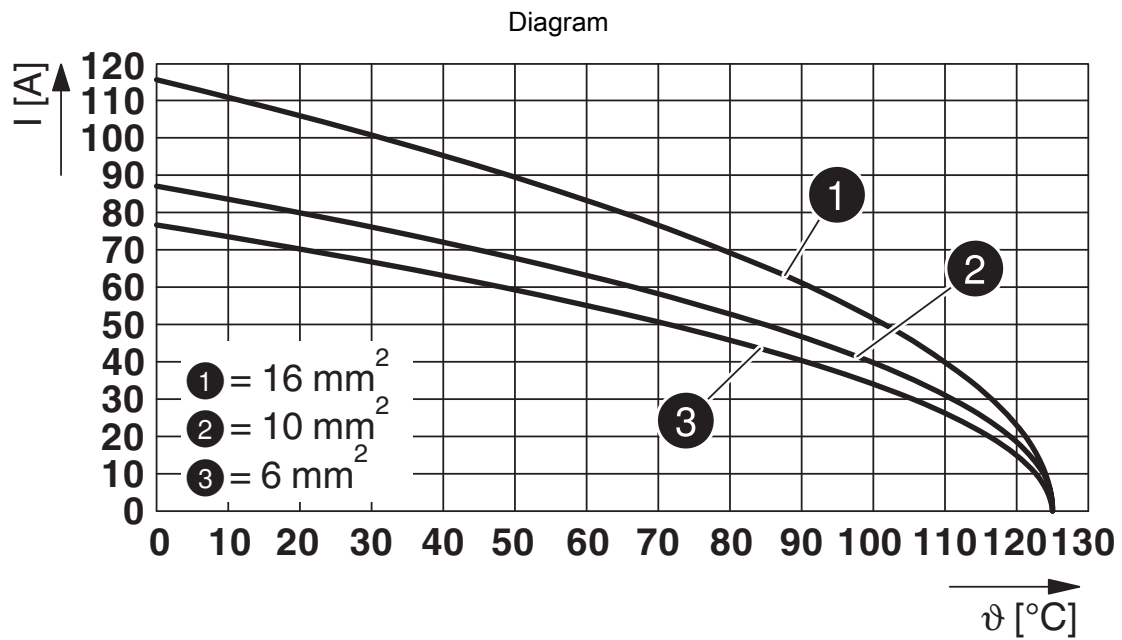
Connector pin assignment, connection side

HC-K 4/0-ESTS - Contact insert



1679414

<https://www.phoenixcontact.com/us/products/1679414>



Derating diagram

HC-K 4/0-ESTS - Contact insert




1679414

<https://www.phoenixcontact.com/us/products/1679414>

Approvals

To download certificates, visit the product detail page: <https://www.phoenixcontact.com/us/products/1679414>

 UL Recognized Approval ID: E118976				
	Nominal voltage U_N	Nominal current I_N	Cross section AWG	Cross section mm^2
keine				
	600 V	80 A	- 6	-

HC-K 4/0-ESTS - Contact insert



1679414

<https://www.phoenixcontact.com/us/products/1679414>

Classifications

ECLASS

ECLASS-13.0	27440205
ECLASS-15.0	27440205

ETIM

ETIM 10.0	EC000438
-----------	----------

UNSPSC

UNSPSC 21.0	39121500
-------------	----------

HC-K 4/0-ESTS - Contact insert



1679414

<https://www.phoenixcontact.com/us/products/1679414>

Environmental product compliance

EU RoHS

Fulfills EU RoHS substance requirements	Yes
Exemption	6(c)

China RoHS

Environment friendly use period (EFUP)	EFUP-E
	No hazardous substances above the limits

EU REACH SVHC

REACH candidate substance (CAS No.)	Lead(CAS: 7439-92-1)
SCIP	ef036728-252d-401f-bf52-90336a2a46b2

EF3.1 Climate Change

CO2e kg	9.388 kg CO2e
---------	---------------

Phoenix Contact 2026 © - all rights reserved
<https://www.phoenixcontact.com>

Phoenix Contact USA
586 Fulling Mill Road
Middletown, PA 17057, United States
(+717) 944-1300
info@phoenixcon.com