

HC-M-02-MOD-BU - Contact insert module



1679359

<https://www.phoenixcontact.com/us/products/1679359>

Please be informed that the data shown in this PDF document is generated from our online catalog. Please find the complete data in the user documentation. Our general terms of use for downloads are valid.

HEAVYCON contact insert module, female, 2-pos., axial screw connection



Commercial data

Item number	1679359
Packing unit	1 pc
Note	Made to order (non-returnable)
Sales key	BF62
Product key	AF7ACB
GTIN	4017918162535
Weight per piece (including packing)	24.65 g
Weight per piece (excluding packing)	24.1 g
Customs tariff number	85366990
Country of origin	DE

Technical data

Mounting

Assembly note	<ul style="list-style-type: none"> - Connection of the wires using a 2 mm Allen wrench. - Housing height \geq 52 mm. - Axial screw connection only for flexible wires. - Plug-in connections may only be operated only when there is no load/voltage.
Hexagonal socket	<p>Note regarding axial connection technology:</p> <p>Only for stranded wires. The conductor cross-sections stated refer to the geometric cross section of the cable used. Use of cables with a geometric cross section very different from that of the cable's nominal cross section should be checked before use.</p> <p>The wiring space of the axial screw method is designed for fine strand cables according to VDE 0295 class 5. Deviating cable structures (e.g. class 6 cables) should be checked before use.</p> <p>Connection</p> <p>Before starting to connect, ensure that the tapered screw is turned back all the way (chamber is open). The cables must not be twisted. The cores should be slid to the limit stop in the contact chamber (until insulation touches contact). Hold cores in position and use socket wrench to tighten. The used core end should be cut off before connecting again. The connection screw may only be retightened once to prevent the strands from breaking. To prevent damage to the contact, the core / cable should be mechanically intercepted at an appropriate distance from the connection point (e.g. by using a plate cutout). DIN VDE 0100-520:2003-06 contains information on how to do this correctly.</p>
Hexagonal socket	SW 2

Product properties

Product type	Modular contact insert
Series	HC-M-02
Application	Power
Number of positions	2
Connection profile	2
Contact numbering	1 - 2
Number of module slots	1
Insulation characteristics	
Overvoltage category	III
Degree of pollution	3

Connection data

Connection technology	
Connection technology	Axial screw connection
Connection in acc. with standard	IEC / EN

HC-M-02-MOD-BU - Contact insert module



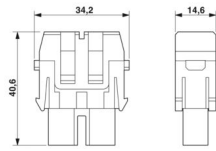
1679359

<https://www.phoenixcontact.com/us/products/1679359>

Conductor connection

Conductor cross-section	2.5 mm ² ... 8 mm ² (The cross section specification refers to the geometric cross section of the cable used)
Connection cross section AWG	12 ... 10
Tightening torque	1.5 Nm (2.5 mm ² ... 4 mm ²)
	2 Nm (6 ... 8 mm ²)
Stripping length of the individual wire	8 mm +1 mm (for 6 mm ²)
	5 mm +1 mm (For 2.5 mm ² ... 4 mm ²)
	11 mm +1 mm (for 8 mm ²)

Dimensions

Dimensional drawing	
Width	34.2 mm
Height	40.6 mm
Length	14.6 mm

Electrical properties

Rated voltage (III/3)	1000 V
Rated surge voltage	8 kV
Rated current	40 A

Mechanical properties

Mechanical data

Insertion/withdrawal cycles	≥ 500
-----------------------------	-------

Material specifications

Flammability rating according to UL 94	V0
Contact material	Copper alloy
Contact surface material	Ag
Contact carrier material	PC

Environmental and real-life conditions

Ambient conditions

Ambient temperature (operation)	-40 °C ... 125 °C
---------------------------------	-------------------

HC-M-02-MOD-BU - Contact insert module

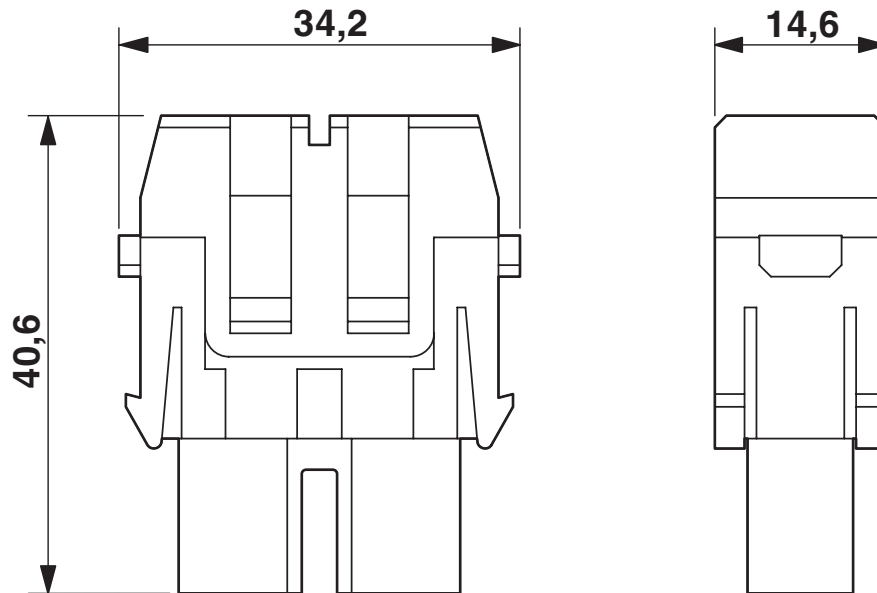


1679359

<https://www.phoenixcontact.com/us/products/1679359>

Drawings

Dimensional drawing



Female insert

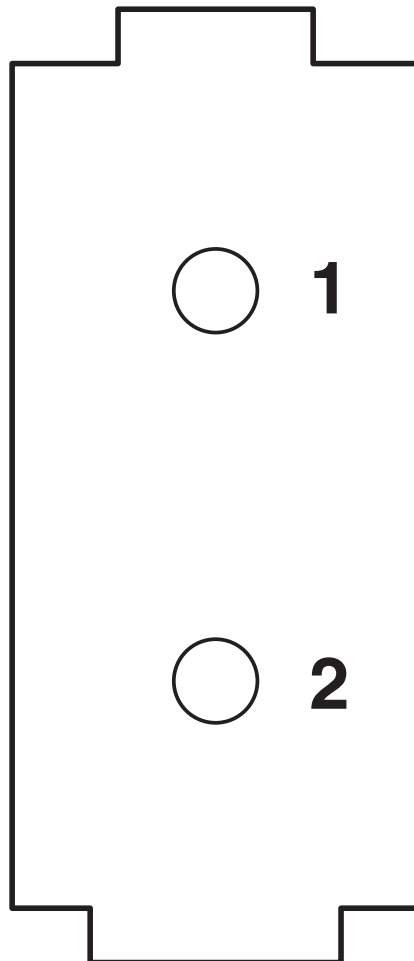
HC-M-02-MOD-BU - Contact insert module

1679359

<https://www.phoenixcontact.com/us/products/1679359>



Schematic diagram



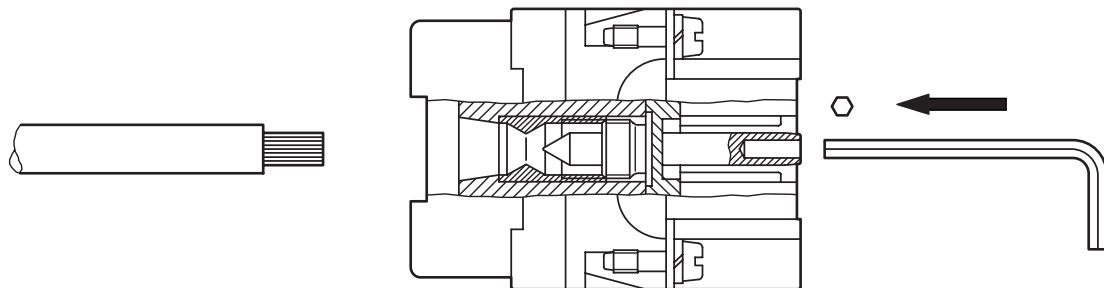
Connector pin assignment

HC-M-02-MOD-BU - Contact insert module

1679359

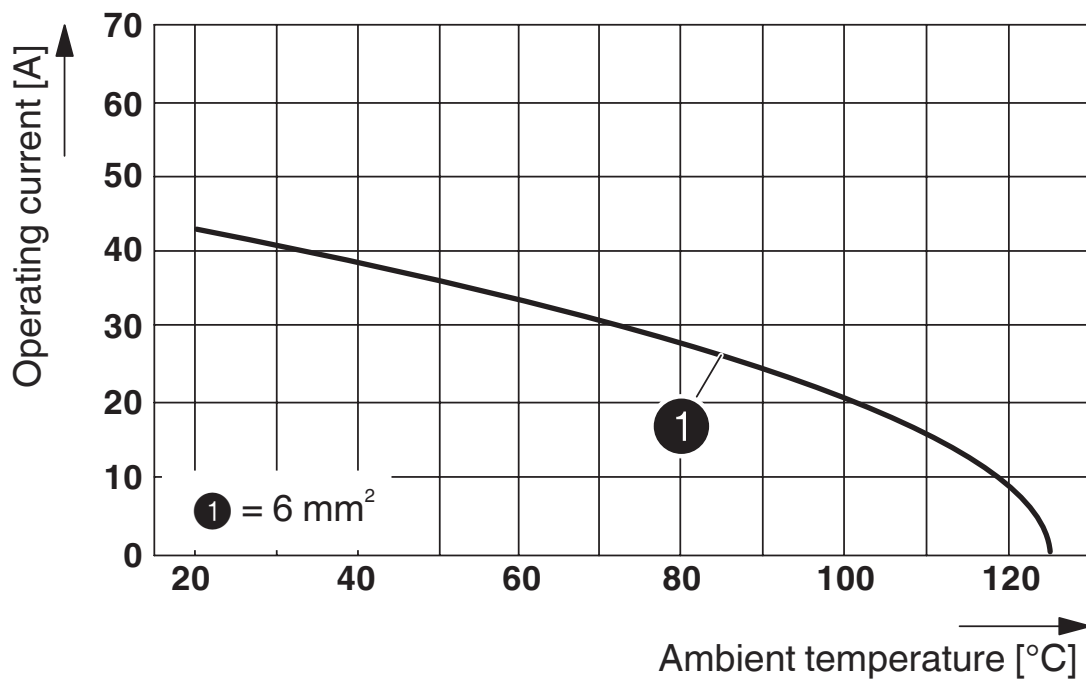
<https://www.phoenixcontact.com/us/products/1679359>

Schematic diagram



Axial connection (2 mm Allen key)

Diagram



Derating diagram (6 modules in HC-B 24 housing)

1679359

<https://www.phoenixcontact.com/us/products/1679359>

Environmental product compliance

China RoHS

Environment friendly use period (EFUP)	EFUP-50
	An article-related China RoHS declaration table can be found in the download area for the respective article under "Manufacturer declaration". For all articles with EFUP-E, no China RoHS declaration table issued and required.

EU REACH SVHC

REACH candidate substance (CAS No.)	No substance above 0.1 wt%
-------------------------------------	----------------------------

Phoenix Contact 2026 © - all rights reserved
<https://www.phoenixcontact.com>

Phoenix Contact USA
586 Fulling Mill Road
Middletown, PA 17057, United States
(+717) 944-1300
info@phoenixcon.com