

# HC-K 4/8-ESTS - Contact insert



1679333

<https://www.phoenixcontact.com/us/products/1679333>

Please be informed that the data shown in this PDF document is generated from our online catalog. Please find the complete data in the user documentation. Our general terms of use for downloads are valid.



Contact insert, number of positions: 4+8+2PE, size: B24, power contacts: 4, control contacts: 8, Pin, Screw connection, 400 V, 80 A, 1.5 mm<sup>2</sup> ... 16 mm<sup>2</sup>

## Your advantages

- Shock and vibration-resistant in accordance with DIN EN 61373

## Commercial data

Item number	1679333
Packing unit	1 pc
Minimum order quantity	1 pc
Sales key	BF61
Product key	AF7ABA
GTIN	4017918163570
Weight per piece (including packing)	147.3 g
Weight per piece (excluding packing)	147.3 g
Customs tariff number	85366990
Country of origin	CN

# HC-K 4/8-ESTS - Contact insert



1679333

<https://www.phoenixcontact.com/us/products/1679333>

## Technical data

### Notes

General	For housing HC-B24
General	Connectors may be operated only when there is no load/voltage.

### Mounting

Assembly note	To ensure correct use, installation in housing with IP54 protection or better is required
	Use wire end protection (screw connections do not have wire protection)

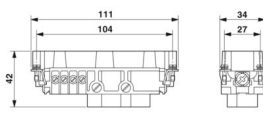
### Product properties

Product type	Contact insert with a fixed no. of positions
Series	HC-K
Type	B24 B48
Number of positions	12
Connection profile	4+8+2PE
Contact numbering	1 - 4 (power contacts) 1 - 8 (control contacts)
No. of power contacts	4
No. of control contacts	8
Contact material type	turned
Screwdriver blade	0.8 x 4.5 mm (power contacts)

### Insulation characteristics

Overvoltage category	III
Degree of pollution	3

### Dimensions

Dimensional drawing	
Width	34 mm
Height	42 mm
Length	111 mm
Drill hole distance, horizontal	104 mm

### Mechanical characteristics

Contact diameter	6 mm
------------------	------

### Connection data

# HC-K 4/8-ESTS - Contact insert



1679333

<https://www.phoenixcontact.com/us/products/1679333>

## Connection technology

Connection technology	Screw connection (power contacts)
	Screw connection (control contacts)

## Conductor connection

Conductor cross-section	1.5 mm <sup>2</sup> ... 16 mm <sup>2</sup> (power contacts)
	0.5 mm <sup>2</sup> ... 2.5 mm <sup>2</sup> (control contacts)
Connection cross section AWG	16 ... 6 (power contacts)
	20 ... 14 (control contacts)
Tightening torque	0.8 Nm ... 1.2 Nm (PE connection)
	0.5 Nm ... 0.8 Nm (Mounting screws for mounting in the HEAVYCON housing)
	2 Nm (Power contact, 2.5 mm <sup>2</sup> )
	3 Nm (Power contact, 4 ... 16 mm <sup>2</sup> )
	0.5 Nm (control contacts)
Stripping length of the individual wire	1.2 Nm (Power contact, 1.5 mm <sup>2</sup> )
	14 mm (Power)
	7 mm (Signal)

## Electrical properties

Rated voltage (III/3)	400 V (power contacts)
	400 V (control contacts)
Rated surge voltage	6 kV (power contacts)
	6 kV (control contacts)
Rated current	80 A (power contacts)
	16 A (control contacts)

## Mechanical properties

### Mechanical data

Insertion/withdrawal cycles	≥ 500
-----------------------------	-------

## Material specifications

Flammability rating according to UL 94	V0
Contact material	Copper alloy
Contact surface material	Ag (alternatively Au)
Contact carrier material	PA
Material of contact surface, power contact	Ag
Material of contact surface, control contact	Ag
Standards/regulations	PC
	PC

## Environmental and real-life conditions

### Ambient conditions

Ambient temperature (operation)	-40 °C ... 125 °C
---------------------------------	-------------------

# HC-K 4/8-ESTS - Contact insert



1679333

<https://www.phoenixcontact.com/us/products/1679333>

## Standards and regulations

### Testing

Standards/regulations	PC: Fire protection in rail vehicles - requirement set R22 acc. to DIN EN 45545-2 (Risk level HL1 - HL2)
	PC: Fire protection in rail vehicles - requirement set R23 acc. to DIN EN 45545-2 (Risk level HL1 - HL3)

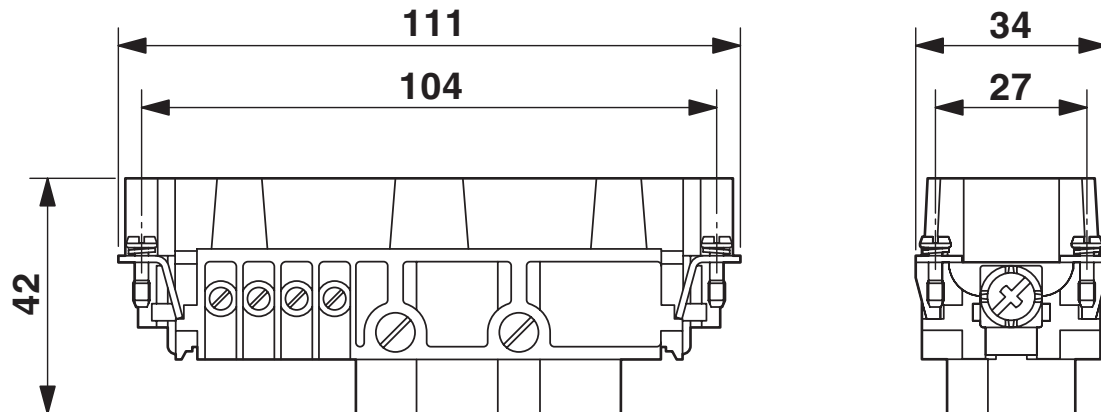
# HC-K 4/8-ESTS - Contact insert

1679333

<https://www.phoenixcontact.com/us/products/1679333>

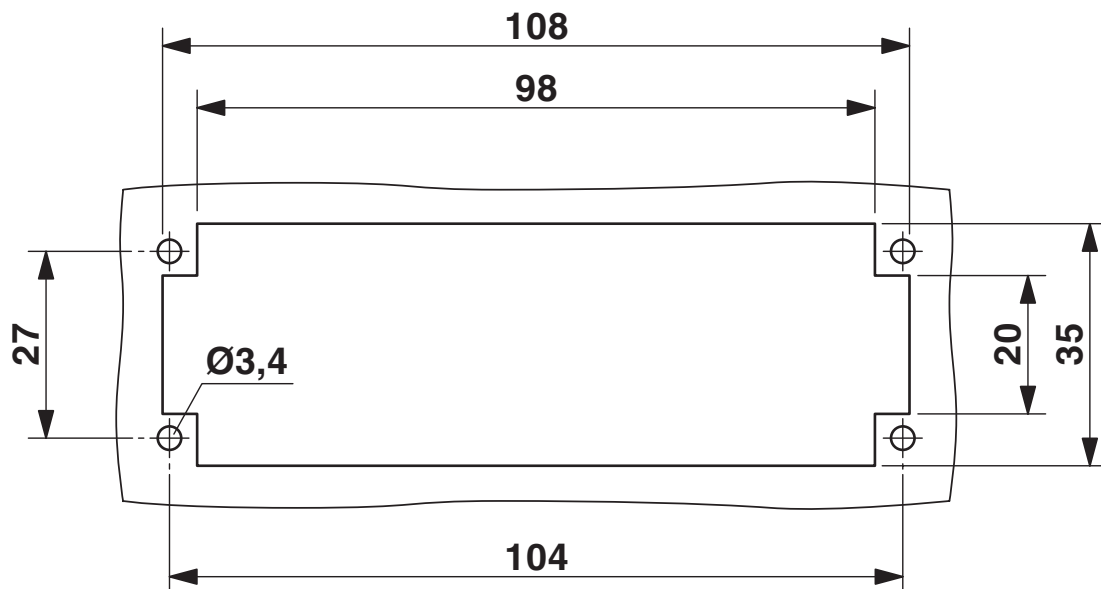
## Drawings

Dimensional drawing



## Male insert

Dimensional drawing



Mounting cutout when used without housing

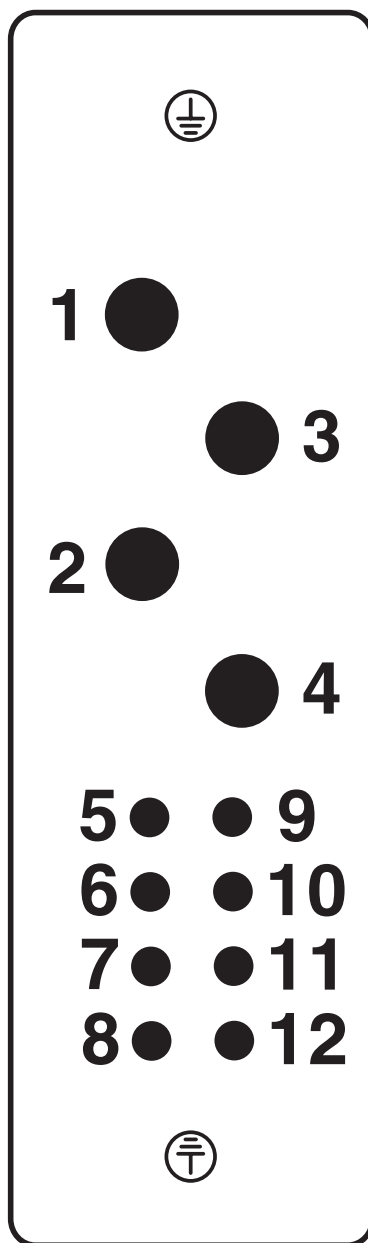
# HC-K 4/8-ESTS - Contact insert

1679333

<https://www.phoenixcontact.com/us/products/1679333>



Schematic diagram



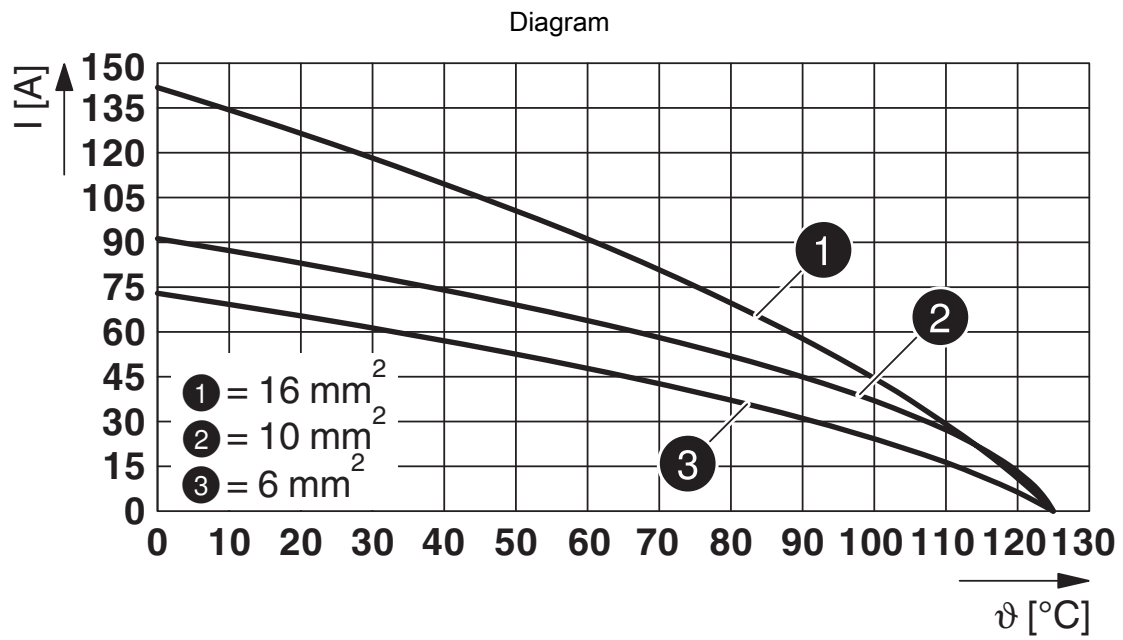
Connector pin assignment, connection side

# HC-K 4/8-ESTS - Contact insert



1679333

<https://www.phoenixcontact.com/us/products/1679333>



Derating diagram

# HC-K 4/8-ESTS - Contact insert




1679333

<https://www.phoenixcontact.com/us/products/1679333>

## Approvals

To download certificates, visit the product detail page: <https://www.phoenixcontact.com/us/products/1679333>

 <b>UL Recognized</b> Approval ID: E118976				
	Nominal voltage $U_N$	Nominal current $I_N$	Cross section AWG	Cross section $\text{mm}^2$
keine				
Power	600 V	80 A	- 6	-
Control	600 V	16 A	14	-

# HC-K 4/8-ESTS - Contact insert



1679333

<https://www.phoenixcontact.com/us/products/1679333>

## Classifications

### ECLASS

ECLASS-13.0	27440205
ECLASS-15.0	27440205

### ETIM

ETIM 10.0	EC000438
-----------	----------

### UNSPSC

UNSPSC 21.0	39121500
-------------	----------

# HC-K 4/8-ESTS - Contact insert



1679333

<https://www.phoenixcontact.com/us/products/1679333>

## Environmental product compliance

### EU RoHS

Fulfills EU RoHS substance requirements	Yes
Exemption	6(c)

### China RoHS

Environment friendly use period (EFUP)	EFUP-E
	No hazardous substances above the limits

### EU REACH SVHC

REACH candidate substance (CAS No.)	Lead(CAS: 7439-92-1)
SCIP	88d69e56-bf70-41ab-b808-0e686d240ba9

### EF3.1 Climate Change

CO2e kg	15.319 kg CO2e
---------	----------------

Phoenix Contact 2026 © - all rights reserved  
<https://www.phoenixcontact.com>

Phoenix Contact USA  
586 Fulling Mill Road  
Middletown, PA 17057, United States  
(+717) 944-1300  
[info@phoenixcon.com](mailto:info@phoenixcon.com)