

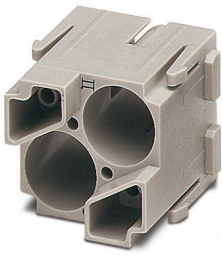
HC-M-EMV-MOD-ST - Contact insert module



1678567

<https://www.phoenixcontact.com/us/products/1678567>

Please be informed that the data shown in this PDF document is generated from our online catalog. Please find the complete data in the user documentation. Our general terms of use for downloads are valid.



HEAVYCON series M EMC contact insert module, for using two HC-M-EMV-ST/3-9.5 EMC connectors (pin version, each 4-pos.)

Commercial data

Item number	1678567
Packing unit	1 pc
Note	Made to order (non-returnable)
Sales key	BF62
Product key	AF7ACB
GTIN	4017918167639
Weight per piece (including packing)	14.5 g
Weight per piece (excluding packing)	14.5 g
Customs tariff number	85366990
Country of origin	DE

HC-M-EMV-MOD-ST - Contact insert module



1678567

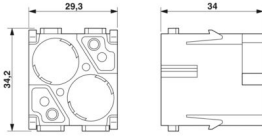
<https://www.phoenixcontact.com/us/products/1678567>

Technical data

Product properties

Product type	EMC insert, modular
Series	HC-M-EMV
Application	Data/signal
Connection profile	2
Number of module slots	2
Number of slots	2

Dimensions

Dimensional drawing	
Width	34.2 mm
Height	34 mm
Length	29.4 mm

Material specifications

Flammability rating according to UL 94	V0
Contact carrier material	PC

Mechanical properties

Mechanical data

Insertion/withdrawal cycles	≥ 500
-----------------------------	-------

Environmental and real-life conditions

Ambient conditions

Ambient temperature (operation)	-40 °C ... 125 °C
---------------------------------	-------------------

Mounting

Assembly note	Housing height ≥ 72 mm. Plug-in connections may only be operated only when there is no load/voltage. Plastic module for the HC-M-EMV-ST/3-9.5 EMC connector
---------------	---

HC-M-EMV-MOD-ST - Contact insert module

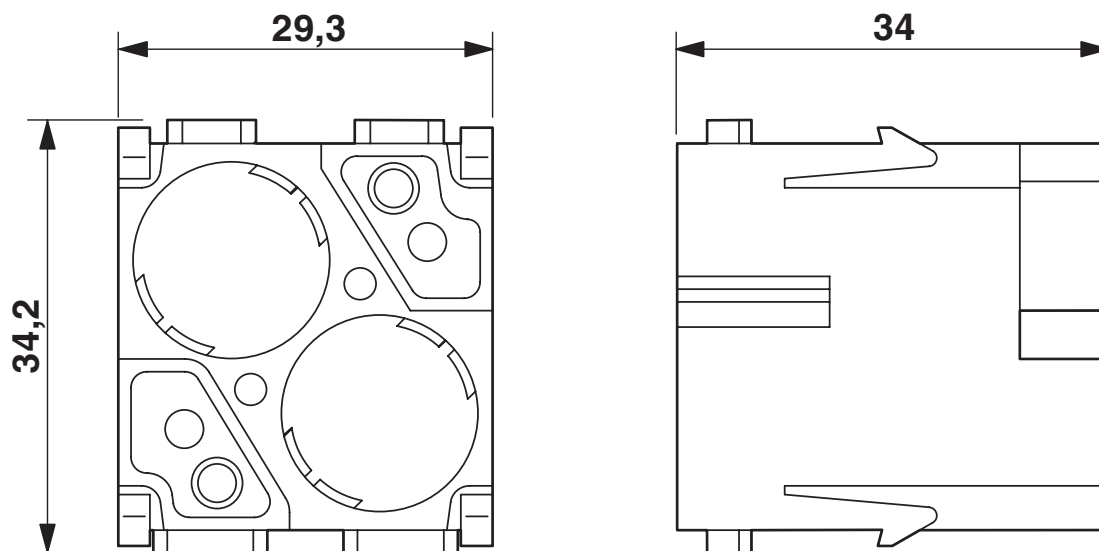


1678567

<https://www.phoenixcontact.com/us/products/1678567>

Drawings

Dimensional drawing



Male insert

HC-M-EMV-MOD-ST - Contact insert module



1678567

<https://www.phoenixcontact.com/us/products/1678567>

Environmental product compliance

China RoHS

Environment friendly use period (EFUP)	EFUP-E
	No hazardous substances above the limits

EU REACH SVHC

REACH candidate substance (CAS No.)	No substance above 0.1 wt%
-------------------------------------	----------------------------

Phoenix Contact 2026 © - all rights reserved
<https://www.phoenixcontact.com>

Phoenix Contact USA
586 Fulling Mill Road
Middletown, PA 17057, United States
(+717) 944-1300
info@phoenixcon.com