

# SACB-HC-B10-SMQ-8/A - Sensor distributor



1678512

<https://www.phoenixcontact.com/us/products/1678512>

Please be informed that the data shown in this PDF document is generated from our online catalog. Please find the complete data in the user documentation. Our general terms of use for downloads are valid.



Sensor distributor with HEAVYCON box mounting base B10, with double-locking latch, height 74 mm, with HC-B10-ESTC assembled with CK2,5-ED-0,5 ST AG and eight pieces SACC-E-M12FS-5CON-PG9/05 inserted in the side walls

## Commercial data

Item number	1678512
Packing unit	1 pc
Note	Made to order (non-returnable)
Sales key	NULL
Product key	AF7AEX
GTIN	4017918249496
Weight per piece (including packing)	506.5 g
Weight per piece (excluding packing)	504.5 g
Customs tariff number	85366990
Country of origin	DE

# SACB-HC-B10-SMQ-8/A - Sensor distributor

1678512

<https://www.phoenixcontact.com/us/products/1678512>

## Technical data

### Product properties

Housing type	Surface mounting housing
Type	B10
Number of positions	10
Number of slots	8

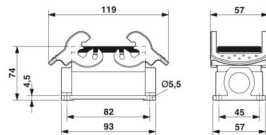
### Insulation characteristics

Overvoltage category	III
----------------------	-----

### Electrical properties

Operating voltage	60 V
Max. current carrying capacity per branch	4 A
Max. total current of all branches	16 A

### Dimensions

Dimensional drawing	
Width	57 mm
Height	74 mm
Length	93 mm

### Material specifications

Material Housing	Die-cast aluminum
Seal material	NBR
Housing material	Die-cast aluminum
Contact material	Copper alloy
Contact surface material	Ag (CK2,5-ED-0,5ST AG) / Au (SACC-E_M12FS-5CON-PG9/05)
Contact carrier material	PA
Locking latch material	High-grade steel, handle: PA-GF

### Environmental and real-life conditions

#### Ambient conditions

Degree of protection	IP65
Ambient temperature (operation)	-25 °C ... 85 °C

# SACB-HC-B10-SMQ-8/A - Sensor distributor

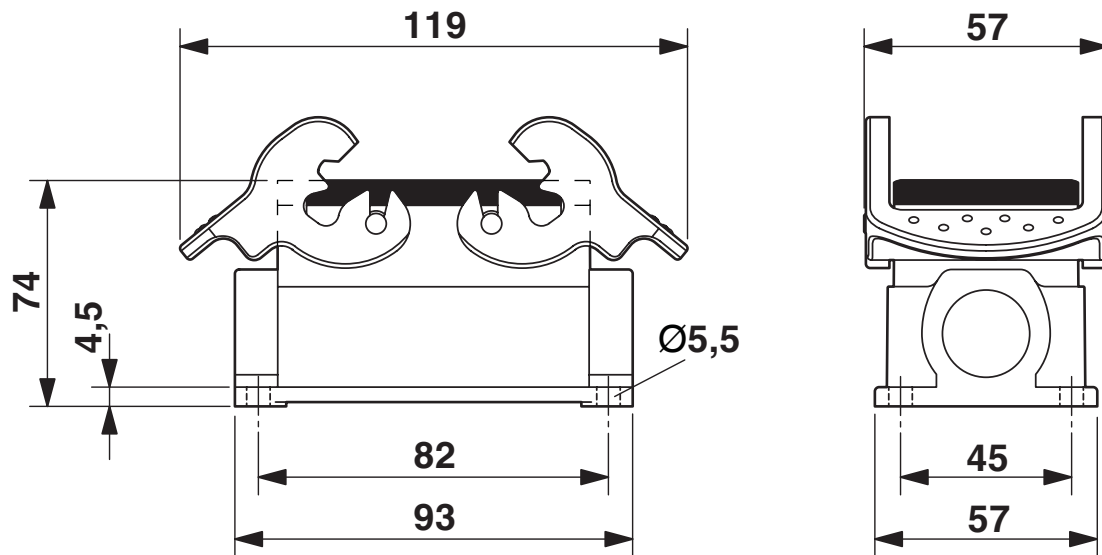


1678512

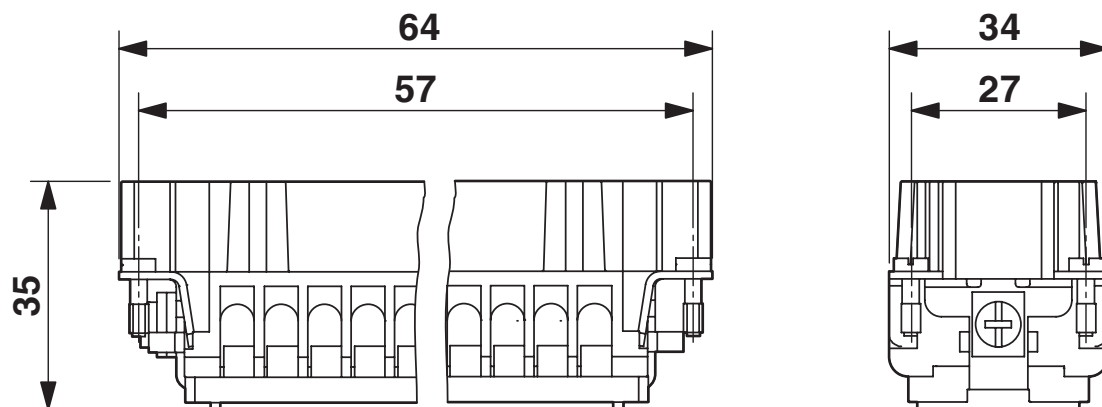
<https://www.phoenixcontact.com/us/products/1678512>

## Drawings

Dimensional drawing



Dimensional drawing



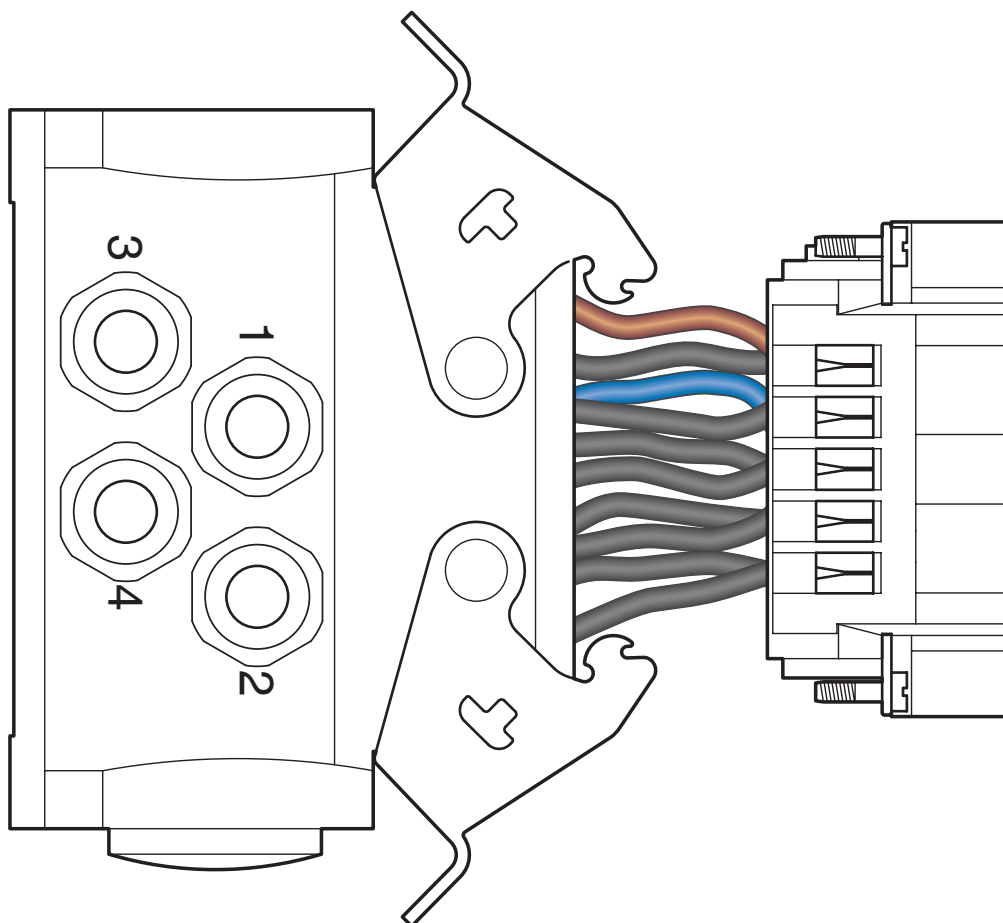
Male insert

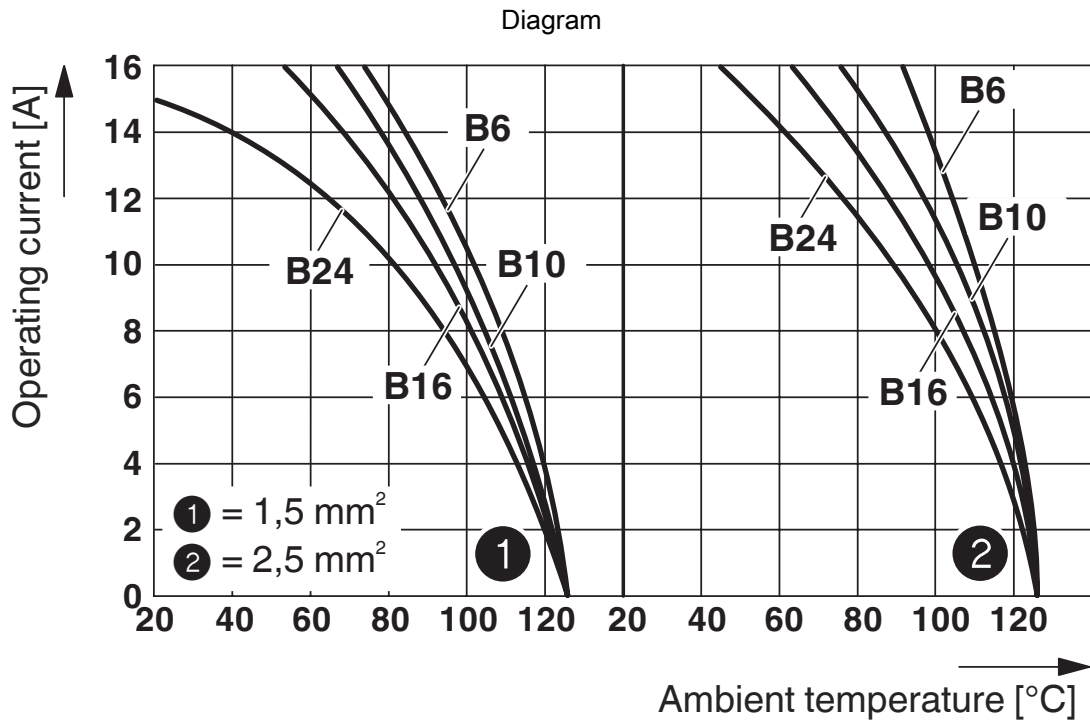
# SACB-HC-B10-SMQ-8/A - Sensor distributor

1678512

<https://www.phoenixcontact.com/us/products/1678512>

Schematic diagram





Derating diagram HC-B10-ESTC

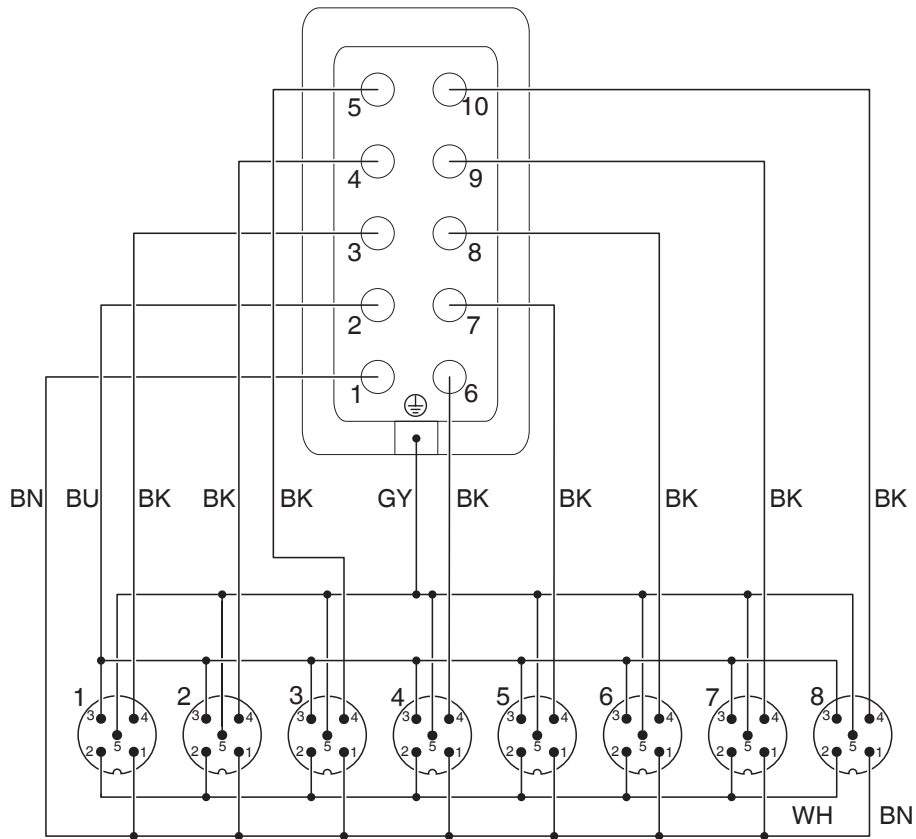
# SACB-HC-B10-SMQ-8/A - Sensor distributor



1678512

<https://www.phoenixcontact.com/us/products/1678512>

Circuit diagram



Circuit diagram

# SACB-HC-B10-SMQ-8/A - Sensor distributor



1678512

<https://www.phoenixcontact.com/us/products/1678512>

## Classifications

### UNSPSC

UNSPSC 21.0	31261501
-------------	----------

1678512

<https://www.phoenixcontact.com/us/products/1678512>

## Environmental product compliance

### EU RoHS

Fulfills EU RoHS substance requirements	Yes
Exemption	6(c)

### China RoHS

Environment friendly use period (EFUP)	EFUP-50
	An article-related China RoHS declaration table can be found in the download area for the respective article under "Manufacturer declaration". For all articles with EFUP-E, no China RoHS declaration table issued and required.

### EU REACH SVHC

REACH candidate substance (CAS No.)	Lead(CAS: 7439-92-1)
-------------------------------------	----------------------

Phoenix Contact 2026 © - all rights reserved  
<https://www.phoenixcontact.com>

Phoenix Contact USA  
586 Fulling Mill Road  
Middletown, PA 17057, United States  
(+717) 944-1300  
[info@phoenixcon.com](mailto:info@phoenixcon.com)