

HC-B 24-SMQ-84/O1PG21 - Housing

1678046

<https://www.phoenixcontact.com/us/products/1678046>

Please be informed that the data shown in this PDF document is generated from our online catalog. Please find the complete data in the user documentation. Our general terms of use for downloads are valid.

Box mounting base, with double locking latch, height: 84 mm, with glands, 1 x Pg21



Commercial data

Item number	1678046
Packing unit	1 pc
Note	Made to order (non-returnable)
Sales key	BF55
Product key	AF7AAC
GTIN	4017918151638
Weight per piece (including packing)	534.8 g
Weight per piece (excluding packing)	534.8 g
Customs tariff number	85389099
Country of origin	DE

HC-B 24-SMQ-84/O1PG21 - Housing



1678046

<https://www.phoenixcontact.com/us/products/1678046>

Technical data

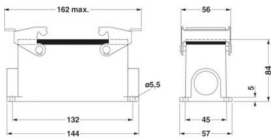
Notes

General	For contact inserts HC-B24, BB46, BBB64, D64, DD108, M
---------	--

Product properties

Product type	Housing with locking latch
Housing type	Surface mounting housing
Application	Standard
Type	B24
No. of cable outlets	1
Type of the screw connection	1x Pg21
Cable outlet	lateral
Pg screw connection	none

Dimensions

Dimensional drawing	
Width	57 mm
Height	84 mm
Length	144 mm

Material specifications

Seal material	NBR
Housing material	Die-cast aluminum
Housing surface material	Powder-coated, gray
Locking latch material	Stainless steel, handle: PA

Mechanical properties

Mechanical data

Type of the screw connection	1x Pg21
Locking type	Latch

Mounting

Assembly note	For half and full screw connections
---------------	-------------------------------------

Environmental and real-life conditions

HC-B 24-SMQ-84/O1PG21 - Housing



1678046

<https://www.phoenixcontact.com/us/products/1678046>

Ambient conditions

Degree of protection	IP65 (When plugged in)
Ambient temperature (operation)	-40 °C ... 125 °C

HC-B 24-SMQ-84/O1PG21 - Housing

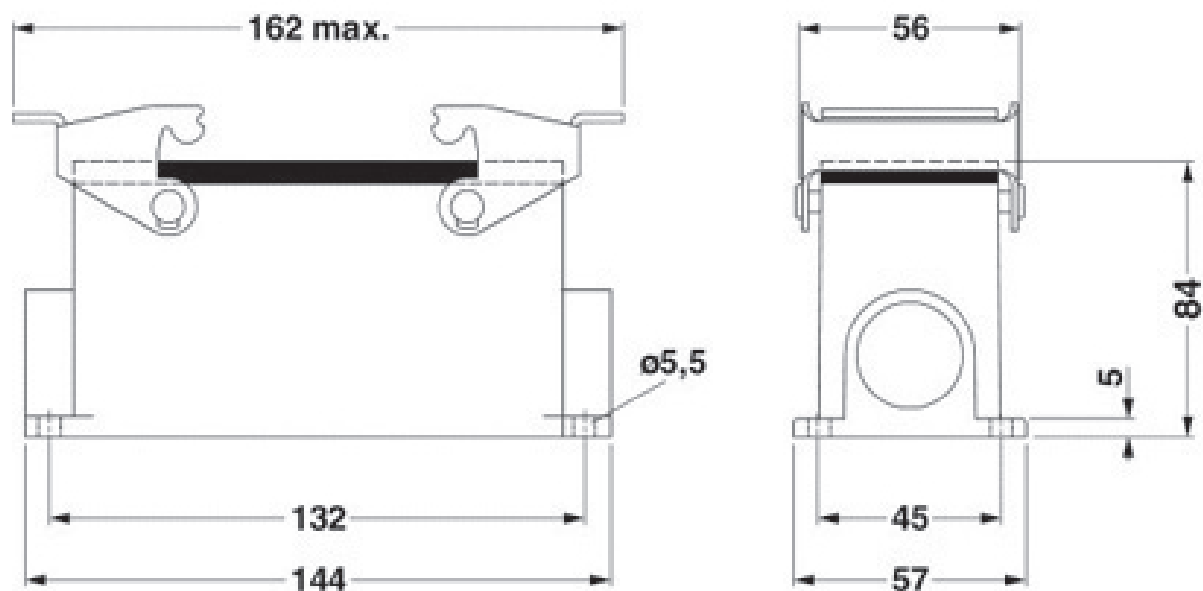


1678046

<https://www.phoenixcontact.com/us/products/1678046>

Drawings

Dimensional drawing



Dimensional drawing

HC-B 24-SMQ-84/O1PG21 - Housing



1678046

<https://www.phoenixcontact.com/us/products/1678046>

Classifications

ECLASS

ECLASS-13.0	27440202
ECLASS-15.0	27440202

UNSPSC

UNSPSC 21.0	31261501
-------------	----------

HC-B 24-SMQ-84/O1PG21 - Housing



1678046

<https://www.phoenixcontact.com/us/products/1678046>

Environmental product compliance

China RoHS

Environment friendly use period (EFUP)	EFUP-E
	No hazardous substances above the limits

EU REACH SVHC

REACH candidate substance (CAS No.)	No substance above 0.1 wt%
-------------------------------------	----------------------------

Phoenix Contact 2026 © - all rights reserved
<https://www.phoenixcontact.com>

Phoenix Contact USA
586 Fulling Mill Road
Middletown, PA 17057, United States
(+717) 944-1300
info@phoenixcon.com