

# HC-B 24-SMLD-84/O2PG21 - Housing



1678020

<https://www.phoenixcontact.com/us/products/1678020>

Please be informed that the data shown in this PDF document is generated from our online catalog. Please find the complete data in the user documentation. Our general terms of use for downloads are valid.



Box mounting base, with single locking latch, height 84 mm, without screw connection, 2x Pg21, with protective covers

## Commercial data

Item number	1678020
Packing unit	1 pc
Note	Made to order (non-returnable)
Sales key	BF55
Product key	AF7AAC
GTIN	4017918151614
Weight per piece (including packing)	561.3 g
Weight per piece (excluding packing)	561.3 g
Customs tariff number	85389099
Country of origin	DE

# HC-B 24-SMLD-84/O2PG21 - Housing



1678020

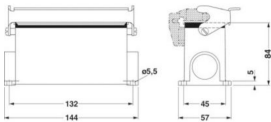
<https://www.phoenixcontact.com/us/products/1678020>

## Technical data

### Product properties

Product type	Housing with locking latch
Housing type	Surface mounting housing
Application	Standard
Type	B24
No. of cable outlets	2
Type of the screw connection	2x Pg21
Protective cover	yes
Cable outlet	lateral
Pg screw connection	none

### Dimensions

Dimensional drawing	
Width	57 mm
Height	84 mm
Length	144 mm

### Material specifications

Seal material	NBR
Housing material	Die-cast aluminum
Housing surface material	Powder-coated, gray
Material, protective cover	PA
Locking latch material	Stainless steel, handle: PA

### Mechanical properties

#### Mechanical data

Type of the screw connection	2x Pg21
Locking type	Latch

### Environmental and real-life conditions

#### Ambient conditions

Degree of protection	IP65 (When plugged in)
	IP54 (with closed protective cover)

# HC-B 24-SMLD-84/O2PG21 - Housing



1678020

<https://www.phoenixcontact.com/us/products/1678020>

Ambient temperature (operation)

-40 °C ... 125 °C

# HC-B 24-SMLD-84/O2PG21 - Housing

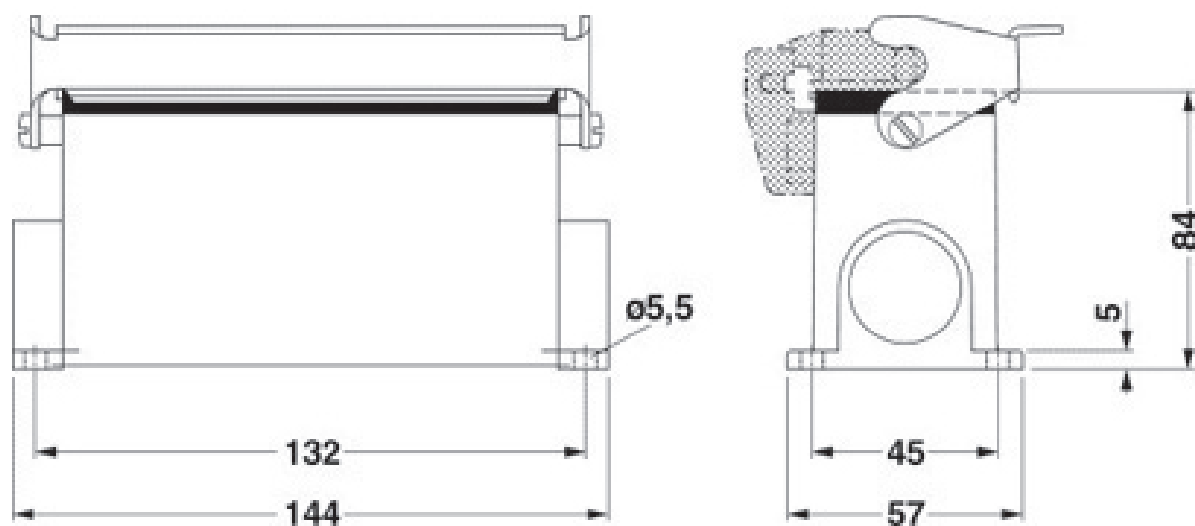


1678020

<https://www.phoenixcontact.com/us/products/1678020>

## Drawings

Dimensional drawing



Dimensional drawing

# HC-B 24-SMLD-84/O2PG21 - Housing



1678020

<https://www.phoenixcontact.com/us/products/1678020>

## Classifications

### ECLASS

ECLASS-13.0	27440202
ECLASS-15.0	27440202

# HC-B 24-SMLD-84/O2PG21 - Housing



1678020

<https://www.phoenixcontact.com/us/products/1678020>

## Environmental product compliance

### EU RoHS

Fulfills EU RoHS substance requirements	Yes, No exemptions
---	--------------------

### China RoHS

Environment friendly use period (EFUP)	EFUP-E
	No hazardous substances above the limits

### EU REACH SVHC

REACH candidate substance (CAS No.)	No substance above 0.1 wt%
-------------------------------------	----------------------------

Phoenix Contact 2026 © - all rights reserved  
<https://www.phoenixcontact.com>

Phoenix Contact USA  
586 Fulling Mill Road  
Middletown, PA 17057, United States  
(+717) 944-1300  
[info@phoenixcon.com](mailto:info@phoenixcon.com)