

# HC-B 10-SMLD-74/O1PG21 - Housing



1677678

<https://www.phoenixcontact.com/us/products/1677678>

Please be informed that the data shown in this PDF document is generated from our online catalog. Please find the complete data in the user documentation. Our general terms of use for downloads are valid.



Box mounting base, with single locking latch, height 74 mm, without screw connection, 1x Pg21, with protective covers

## Commercial data

Item number	1677678
Packing unit	1 pc
Note	Made to order (non-returnable)
Sales key	BF55
Product key	AF7AAC
GTIN	4017918151287
Weight per piece (including packing)	371 g
Weight per piece (excluding packing)	371 g
Customs tariff number	85389099
Country of origin	DE

# HC-B 10-SMLD-74/O1PG21 - Housing

1677678

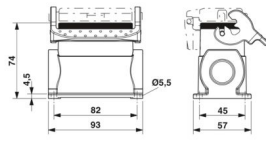
<https://www.phoenixcontact.com/us/products/1677678>

## Technical data

### Product properties

Product type	Housing with locking latch
Housing type	Surface mounting housing
Application	Standard
Type	B10
No. of cable outlets	1
Type of the screw connection	1x Pg21
Protective cover	yes
Cable outlet	left (view of the opened single locking latch)
Pg screw connection	none

### Dimensions

Dimensional drawing	
Width	57 mm
Height	74 mm
Length	93 mm

### Material specifications

Seal material	NBR
Housing material	Die-cast aluminum
Housing surface material	Powder-coated, gray
Material, protective cover	PA
Locking latch material	Stainless steel, handle: PA

### Mechanical properties

#### Mechanical data

Type of the screw connection	1x Pg21
Locking type	Latch

### Mounting

Assembly note	For half and full screw connections
---------------	-------------------------------------

### Environmental and real-life conditions

#### Ambient conditions

Degree of protection	IP65 (When plugged in) IP54 (with closed protective cover)
Ambient temperature (operation)	-40 °C ... 125 °C

# HC-B 10-SMLD-74/O1PG21 - Housing

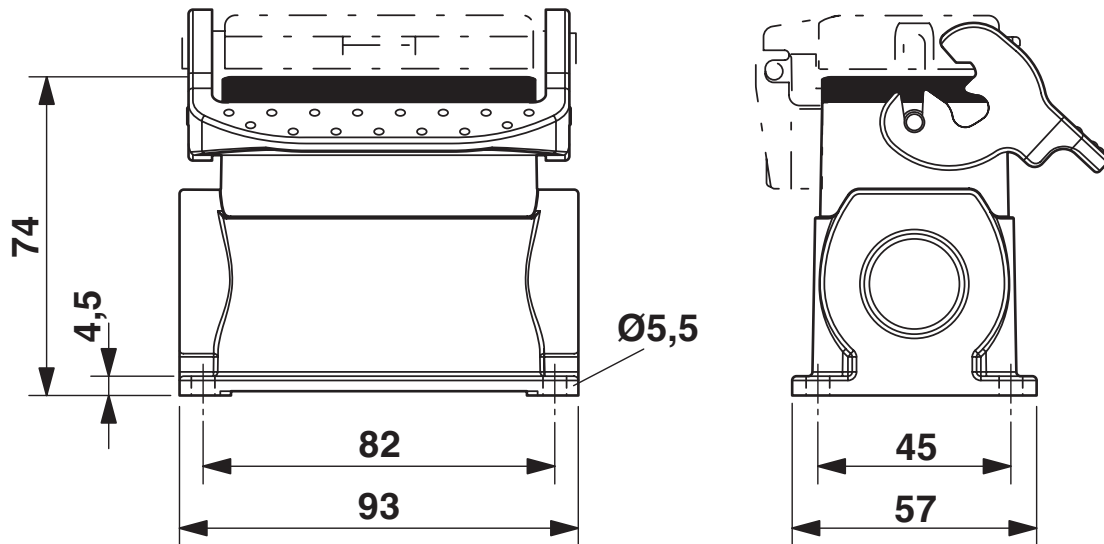


1677678

<https://www.phoenixcontact.com/us/products/1677678>

## Drawings

Dimensional drawing



Dimensional drawing

# HC-B 10-SMLD-74/O1PG21 - Housing



1677678

<https://www.phoenixcontact.com/us/products/1677678>

## Classifications

### ECLASS

ECLASS-13.0	27440202
ECLASS-15.0	27440202

# HC-B 10-SMLD-74/O1PG21 - Housing



1677678

<https://www.phoenixcontact.com/us/products/1677678>

## Environmental product compliance

### EU RoHS

Fulfills EU RoHS substance requirements	Yes, No exemptions
---	--------------------

### China RoHS

Environment friendly use period (EFUP)	EFUP-E
	No hazardous substances above the limits

### EU REACH SVHC

REACH candidate substance (CAS No.)	No substance above 0.1 wt%
-------------------------------------	----------------------------

Phoenix Contact 2026 © - all rights reserved  
<https://www.phoenixcontact.com>

Phoenix Contact USA  
586 Fulling Mill Road  
Middletown, PA 17057, United States  
(+717) 944-1300  
[info@phoenixcon.com](mailto:info@phoenixcon.com)