

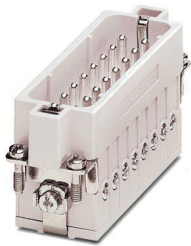
# HC-A 16-ESTS-32 - Contact insert



1677063

<https://www.phoenixcontact.com/us/products/1677063>

Please be informed that the data shown in this PDF document is generated from our online catalog. Please find the complete data in the user documentation. Our general terms of use for downloads are valid.



HEAVYCON male insert, A16 series, 16-pos., screw connection, numbering from 17-32

## Commercial data

Item number	1677063
Packing unit	1 pc
Note	Made to order (non-returnable)
Sales key	BF61
Product key	AF7ABB
GTIN	4017918129682
Weight per piece (including packing)	80.72 g
Weight per piece (excluding packing)	80 g
Customs tariff number	85366990
Country of origin	DE

# HC-A 16-ESTS-32 - Contact insert



1677063

<https://www.phoenixcontact.com/us/products/1677063>

## Technical data

### Mounting

Assembly note	Connectors may be operated only when there is no load/voltage.
---------------	--

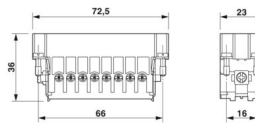
### Product properties

Product type	Contact insert with a fixed no. of positions
Series	HC-A
Type	D25 D50
Number of positions	16
Connection profile	16+PE
Contact numbering	17 - 32

### Insulation characteristics

Overvoltage category	III
Degree of pollution	3

### Dimensions

Dimensional drawing	
Width	23 mm
Height	36 mm
Length	72.5 mm
Drill hole distance, horizontal	66 mm
Drill hole distance, vertical	16 mm

### Connection data

#### Connection technology

Connection technology	Screw connection
Connection in acc. with standard	IEC / EN

#### Conductor connection

Conductor cross-section	0.5 mm <sup>2</sup> ... 2.5 mm <sup>2</sup> (applies to stranded conductors with ferrules)
Connection cross section AWG	20 ... 14
Tightening torque	0.5 Nm
Stripping length of the individual wire	7 mm

### Electrical properties

Rated voltage (III/3)	250 V
Rated surge voltage	4 kV

# HC-A 16-ESTS-32 - Contact insert



1677063

<https://www.phoenixcontact.com/us/products/1677063>

	4 kV
Rated current	16 A
Test voltage	4 kV AC

## Mechanical properties

### Mechanical data

Insertion/withdrawal cycles	≥ 500
-----------------------------	-------

## Material specifications

Flammability rating according to UL 94	V0
Contact material	Copper alloy
Contact surface material	Ag
Contact carrier material	PA

## Environmental and real-life conditions

### Ambient conditions

Ambient temperature (operation)	-40 °C ... 125 °C (including heating up of contacts)
---------------------------------	--

## Standards and regulations

Constructional and testing regulations	DIN VDE 0627/86
	DIN VDE 0110/02.79
	DIN VDE 0110-1/04.97
	IEC 60664-1, DIN IEC 60512
	IEC 60352
Tests	DIN VDE 0627/86
	DIN VDE 0110/02.79
	DIN VDE 0110-1/04.97
	IEC 60664-1, DIN IEC 60512
	IEC 60352

# HC-A 16-ESTS-32 - Contact insert

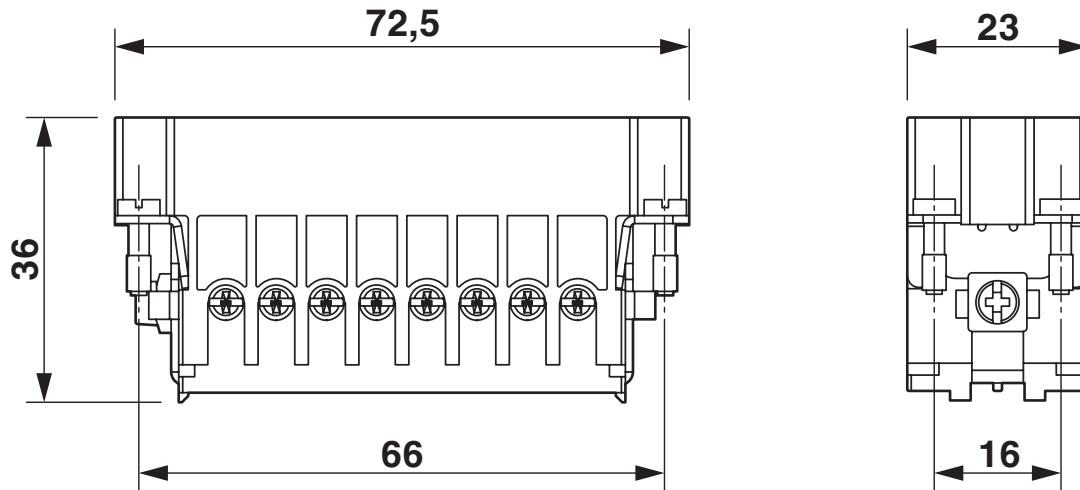


1677063

<https://www.phoenixcontact.com/us/products/1677063>

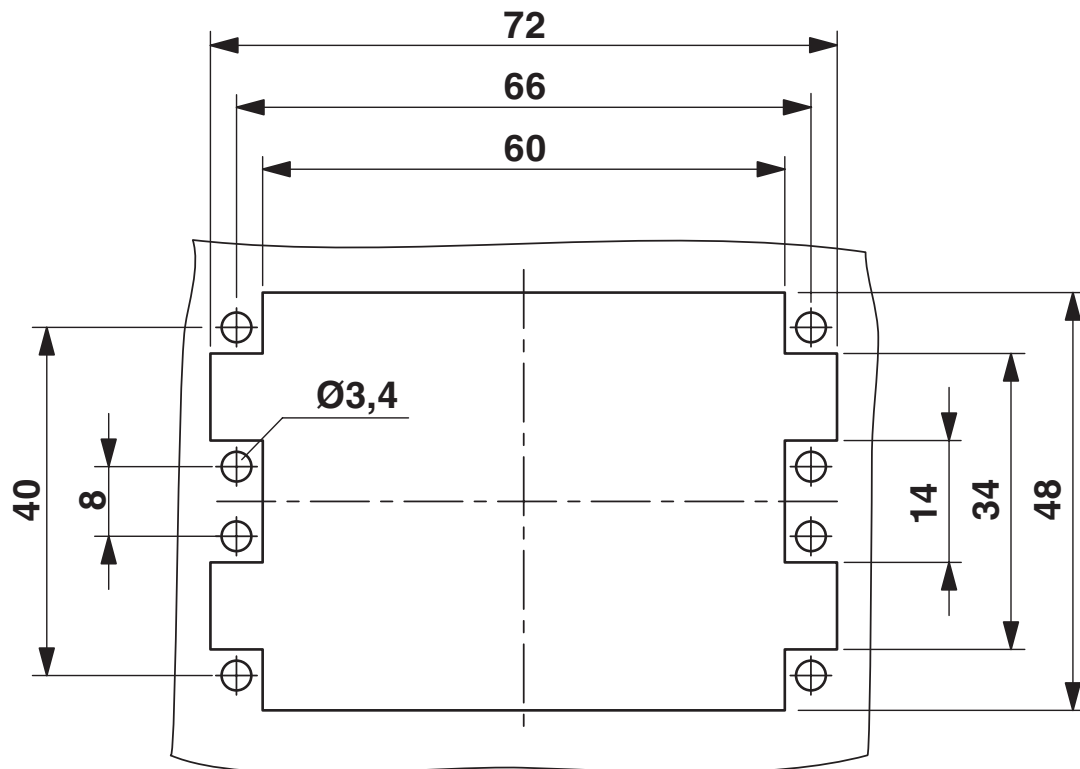
## Drawings

Dimensional drawing



## Male insert

Dimensional drawing



## Mounting cutout

# HC-A 16-ESTS-32 - Contact insert

1677063

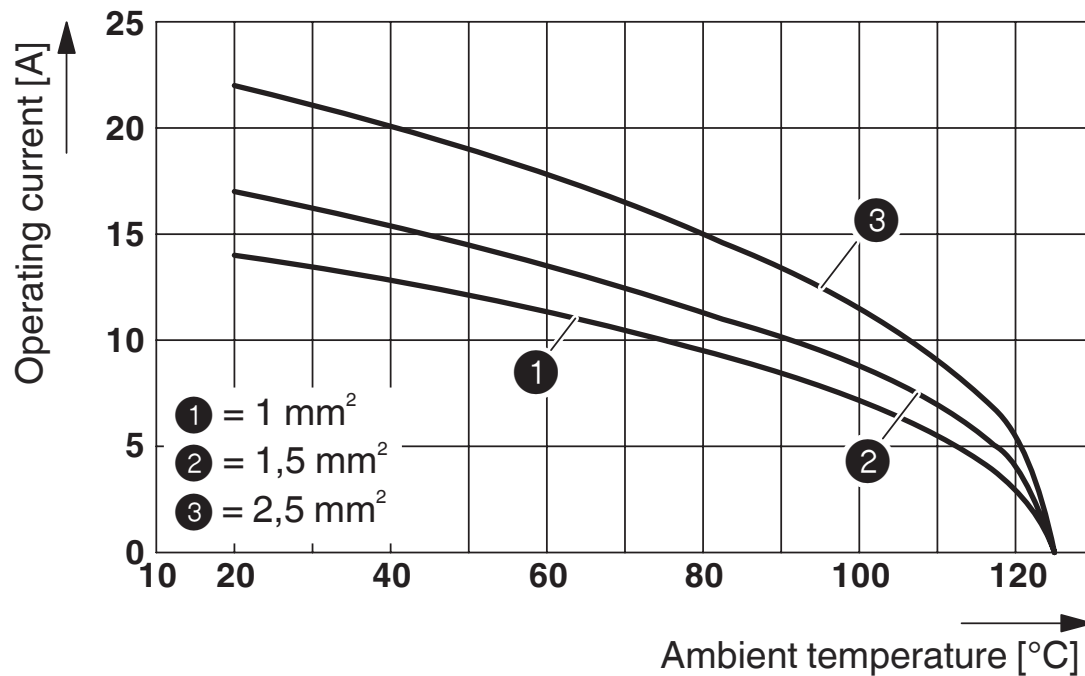
<https://www.phoenixcontact.com/us/products/1677063>

Schematic diagram



Connector pin assignment, connection side

Diagram



Derating diagram: Series HC-A 16...S

# HC-A 16-ESTS-32 - Contact insert



1677063

<https://www.phoenixcontact.com/us/products/1677063>

## Classifications

### ECLASS

ECLASS-13.0	27440205
ECLASS-15.0	27440205

# HC-A 16-ESTS-32 - Contact insert



1677063

<https://www.phoenixcontact.com/us/products/1677063>

## Environmental product compliance

### EU RoHS

Fulfills EU RoHS substance requirements	Yes, No exemptions
---	--------------------

### China RoHS

Environment friendly use period (EFUP)	EFUP-E
	No hazardous substances above the limits

### EU REACH SVHC

REACH candidate substance (CAS No.)	No substance above 0.1 wt%
-------------------------------------	----------------------------

Phoenix Contact 2026 © - all rights reserved  
<https://www.phoenixcontact.com>

Phoenix Contact USA  
586 Fulling Mill Road  
Middletown, PA 17057, United States  
(+717) 944-1300  
[info@phoenixcon.com](mailto:info@phoenixcon.com)