

# HC-A 16-EBUC - Contact insert

1677018

<https://www.phoenixcontact.com/us/products/1677018>

Please be informed that the data shown in this PDF document is generated from our online catalog. Please find the complete data in the user documentation. Our general terms of use for downloads are valid.

HEAVYCON female insert, A16 series, 16-pos., crimp connection



## Commercial data

Item number	1677018
Packing unit	1 pc
Note	Made to order (non-returnable)
Sales key	BF61
Product key	AF7ABB
GTIN	4017918129637
Weight per piece (including packing)	45.03 g
Weight per piece (excluding packing)	42.55 g
Customs tariff number	85366990
Country of origin	DE

# HC-A 16-EBUC - Contact insert



1677018

<https://www.phoenixcontact.com/us/products/1677018>

## Technical data

### Mounting

Assembly note	To ensure correct use, installation in housing with IP54 protection or better is required
---------------	---

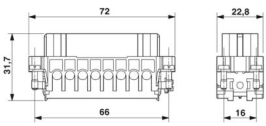
### Product properties

Product type	Contact insert with a fixed no. of positions
Series	HC-A
Type	D25 D50
Number of positions	16
Connection profile	16+PE
Contact numbering	1 - 16
Number of connections per position	1
Contact material type	turned

### Insulation characteristics

Overvoltage category	III
Degree of pollution	3

### Dimensions

Dimensional drawing	
Width	23 mm
Height	31.7 mm
Length	72 mm
Drill hole distance, horizontal	66 mm
Drill hole distance, vertical	16 mm

### Mechanical characteristics

Contact diameter	2.5 mm
------------------	--------

### Connection data

#### Connection technology

Connection technology	Crimp connection
Number of connections per position	1
Connection in acc. with standard	IEC / EN

#### Conductor connection

Conductor cross-section	0.5 mm <sup>2</sup> ... 4 mm <sup>2</sup> (applies to stranded conductors)
-------------------------	--

# HC-A 16-EBUC - Contact insert



1677018

<https://www.phoenixcontact.com/us/products/1677018>

Connection cross section AWG	20 ... 12
Tightening torque	0.7 Nm ... 1 Nm (PE connection)
	0.5 Nm ... 0.8 Nm (Mounting screws for mounting in the HEAVYCON housing)
Stripping length of the individual wire	8 mm

## Electrical properties

Rated voltage (III/3)	250 V
Rated surge voltage	4 kV
Rated current	16 A
Test voltage	4 kV AC

## Mechanical properties

### Mechanical data

Insertion/withdrawal cycles	≥ 500
-----------------------------	-------

## Material specifications

Flammability rating according to UL 94	V0
Contact material	Copper alloy
Contact surface material	Ag (alternatively Au)
Contact carrier material	PA

## Environmental and real-life conditions

### Ambient conditions

Ambient temperature (operation)	-40 °C ... 125 °C (including heating up of contacts)
---------------------------------	--

## Standards and regulations

Constructional and testing regulations	DIN VDE 0627/86
	DIN VDE 0110/02.79
	DIN VDE 0110-1/04.97
	IEC 60664-1, DIN IEC 60512
	IEC 60352
Tests	DIN VDE 0627/86
	DIN VDE 0110/02.79
	DIN VDE 0110-1/04.97
	IEC 60664-1, DIN IEC 60512
	IEC 60352

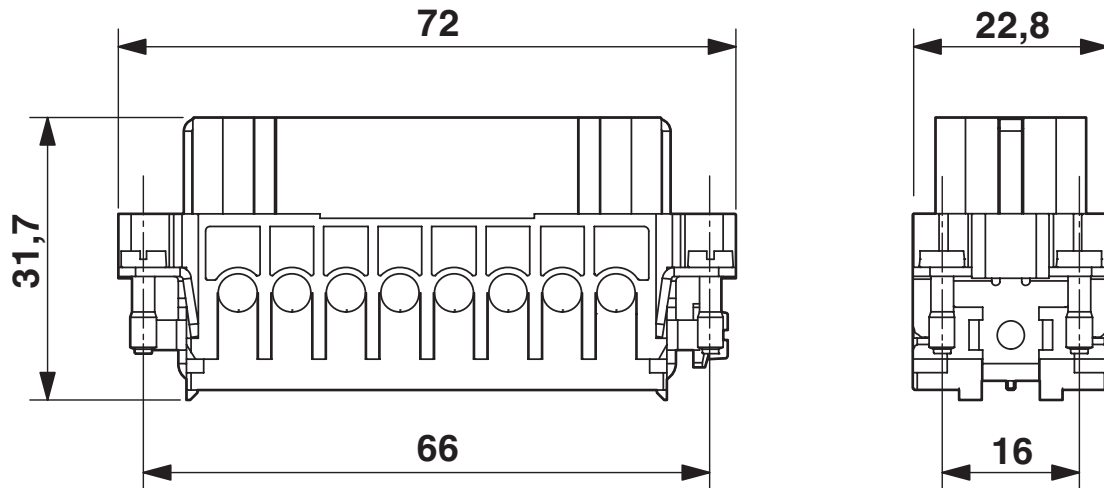
# HC-A 16-EBUC - Contact insert

1677018

<https://www.phoenixcontact.com/us/products/1677018>

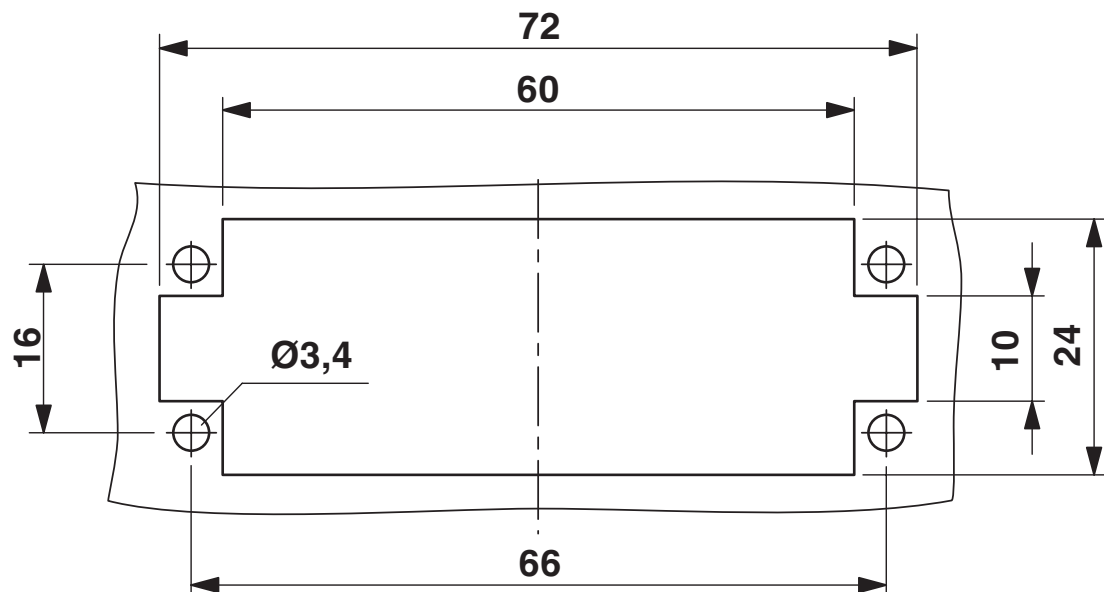
## Drawings

Dimensional drawing



## Female insert

Dimensional drawing



## Mounting cutout when used without housing

# HC-A 16-EBUC - Contact insert



1677018

<https://www.phoenixcontact.com/us/products/1677018>

Schematic diagram

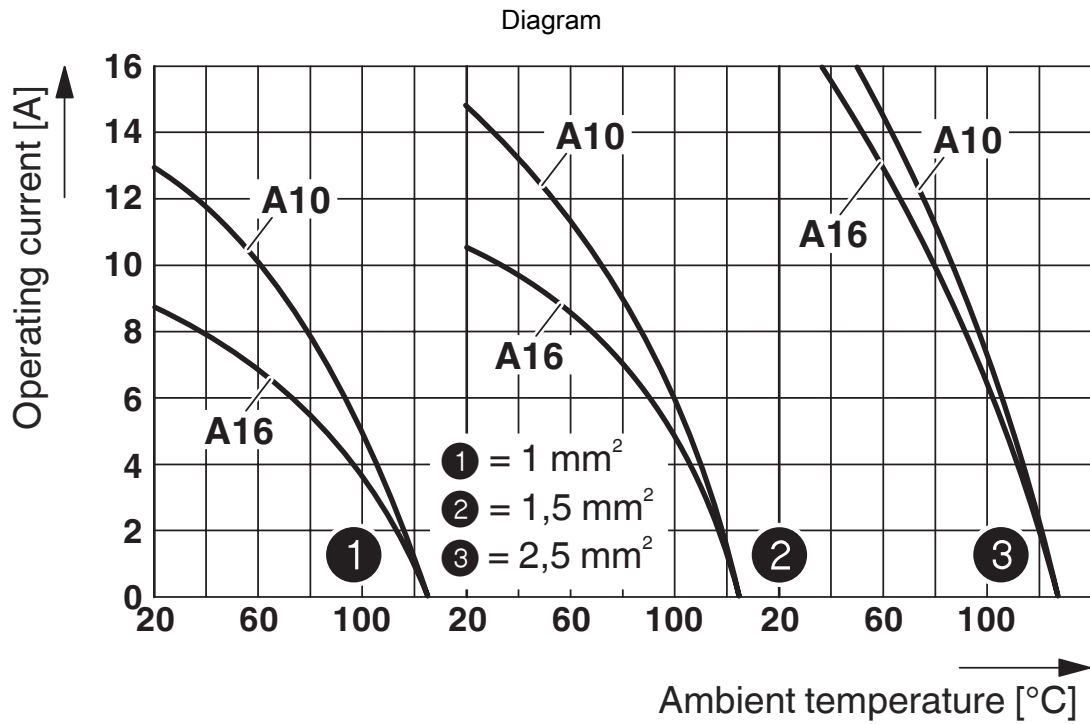


Connector pin assignment, connection side

# HC-A 16-EBUC - Contact insert

1677018

<https://www.phoenixcontact.com/us/products/1677018>



Derating diagram: HC-A...C series

# HC-A 16-EBUC - Contact insert



1677018

<https://www.phoenixcontact.com/us/products/1677018>

## Classifications

### ECLASS

ECLASS-13.0	27440205
ECLASS-15.0	27440205

### UNSPSC

UNSPSC 21.0	39121500
-------------	----------

# HC-A 16-EBUC - Contact insert



1677018

<https://www.phoenixcontact.com/us/products/1677018>

## Environmental product compliance

### EU RoHS

Fulfills EU RoHS substance requirements	Yes, No exemptions
---	--------------------

### China RoHS

Environment friendly use period (EFUP)	EFUP-E
	No hazardous substances above the limits

### EU REACH SVHC

REACH candidate substance (CAS No.)	No substance above 0.1 wt%
-------------------------------------	----------------------------

Phoenix Contact 2026 © - all rights reserved  
<https://www.phoenixcontact.com>

Phoenix Contact USA  
586 Fulling Mill Road  
Middletown, PA 17057, United States  
(+717) 944-1300  
[info@phoenixcon.com](mailto:info@phoenixcon.com)