

# HC-D 7-AMLD-24/GR/ALU - Housing

1676970

<https://www.phoenixcontact.com/us/products/1676970>

Please be informed that the data shown in this PDF document is generated from our online catalog. Please find the complete data in the user documentation. Our general terms of use for downloads are valid.



HEAVYCON panel mounting base D7, with single locking latch, height 24 mm, straight, zinc die-cast, with metal protective cover, for female inserts

## Commercial data

Item number	1676970
Packing unit	1 pc
Note	Made to order (non-returnable)
Sales key	BF55
Product key	AF7AAE
GTIN	4017918129590
Weight per piece (including packing)	80 g
Weight per piece (excluding packing)	76.42 g
Customs tariff number	85389099
Country of origin	DE

# HC-D 7-AMLD-24/GR/ALU - Housing

1676970

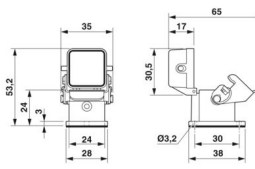
<https://www.phoenixcontact.com/us/products/1676970>

## Technical data

### Product properties

Product type	Housing with locking latch
Housing type	Panel mounting base
Application	Standard
Type	D7
Protective cover	yes
Shielded	no
Pg screw connection	none

### Dimensions

Dimensional drawing	
Width	38 mm
Height	24 mm
Length	24 mm

### Installation dimensions

Width of the assembly cutout	21 mm
Length of the assembly cutout	21 mm

### Material specifications

Seal material	NBR
Housing material	Die-cast zinc
Housing surface material	Powder-coated, gray
Material, protective cover	Zinc
Locking latch material	Steel, galvanized and passivated

### Mechanical properties

#### Mechanical data

Locking type	Latch
--------------	-------

### Mounting

Assembly note	For mounting socket inserts
---------------	-----------------------------

### Environmental and real-life conditions

#### Ambient conditions

Degree of protection	IP54
	IP65 (with sealing screw)

# HC-D 7-AMLD-24/GR/ALU - Housing

1676970

<https://www.phoenixcontact.com/us/products/1676970>



Ambient temperature (operation)

-40 °C ... 125 °C

# HC-D 7-AMLD-24/GR/ALU - Housing

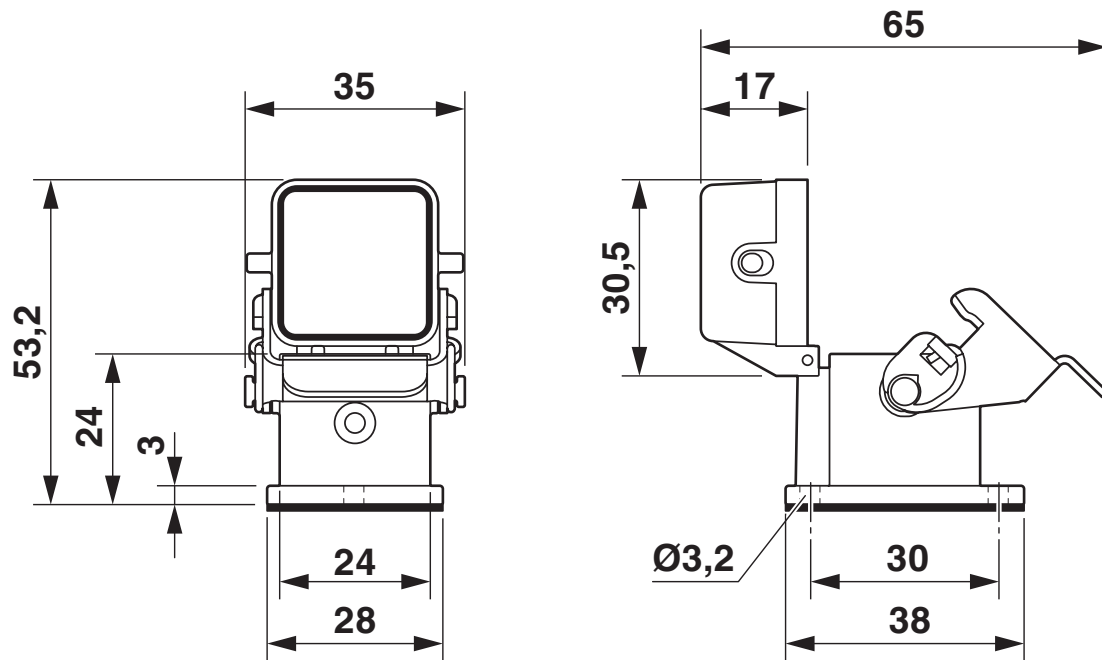


1676970

<https://www.phoenixcontact.com/us/products/1676970>

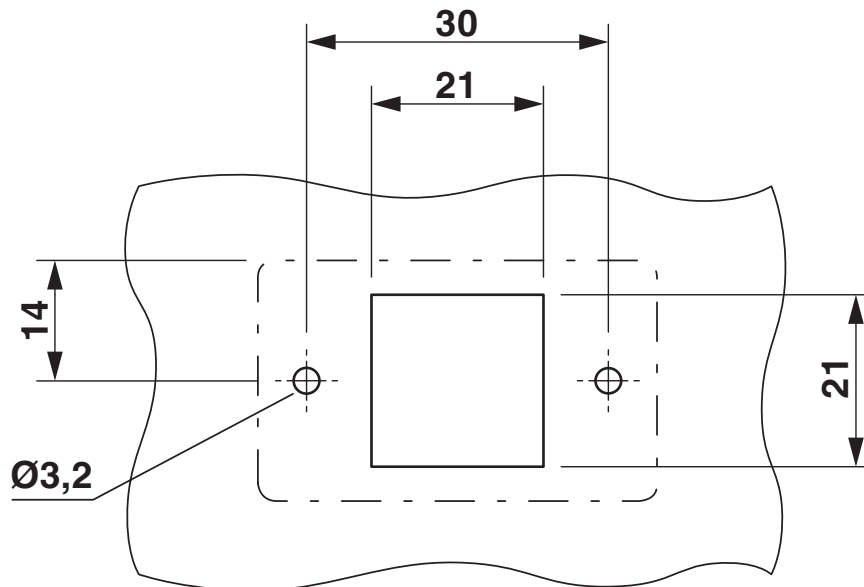
## Drawings

Dimensional drawing



Dimensional drawing

Dimensional drawing



Mounting cutout

# HC-D 7-AMLD-24/GR/ALU - Housing



1676970

<https://www.phoenixcontact.com/us/products/1676970>

## Classifications

### ECLASS

ECLASS-13.0	27440202
ECLASS-15.0	27440202

# HC-D 7-AMLD-24/GR/ALU - Housing



1676970

<https://www.phoenixcontact.com/us/products/1676970>

## Environmental product compliance

### China RoHS

Environment friendly use period (EFUP)	EFUP-E
	No hazardous substances above the limits

### EU REACH SVHC

REACH candidate substance (CAS No.)	No substance above 0.1 wt%
-------------------------------------	----------------------------

Phoenix Contact 2026 © - all rights reserved  
<https://www.phoenixcontact.com>

Phoenix Contact USA  
586 Fulling Mill Road  
Middletown, PA 17057, United States  
(+717) 944-1300  
[info@phoenixcon.com](mailto:info@phoenixcon.com)