

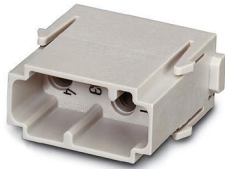
HC-M-04-MOD-ST - Contact insert module



1676792

<https://www.phoenixcontact.com/us/products/1676792>

Please be informed that the data shown in this PDF document is generated from our online catalog. Please find the complete data in the user documentation. Our general terms of use for downloads are valid.



HEAVYCON contact insert module, 4-pos., for HC-M-04-BU-KOAX... coaxial contacts

Commercial data

| | |
|--------------------------------------|--------------------------------|
| Item number | 1676792 |
| Packing unit | 1 pc |
| Note | Made to order (non-returnable) |
| Sales key | BF62 |
| Product key | AF7ACB |
| GTIN | 4017918129392 |
| Weight per piece (including packing) | 8.8 g |
| Weight per piece (excluding packing) | 8.8 g |
| Customs tariff number | 85366990 |
| Country of origin | DE |

HC-M-04-MOD-ST - Contact insert module

1676792

<https://www.phoenixcontact.com/us/products/1676792>

Technical data

Product properties

| | |
|------------------------|-------------------------|
| Product type | Coaxial insert, modular |
| Series | HC-M-04-KOAX |
| Application | Signal |
| Number of positions | 4 |
| Connection profile | 4xKOAX |
| Contact numbering | 1 - 4 |
| Number of module slots | 1 |
| Contact material type | turned |

Insulation characteristics

| | |
|----------------------|-----|
| Overvoltage category | III |
| Degree of pollution | 3 |

Electrical properties

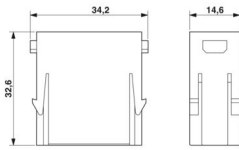
| | |
|-------------------------------------|---------------------------|
| Rated voltage (III/3) | 50 V |
| Rated surge voltage | 3 kV |
| Rated current | 1.5 A |
| Contact resistance, phase conductor | $\leq 3 \text{ m}\Omega$ |
| Contact resistance, inner conductor | $\leq 10 \text{ m}\Omega$ |
| Insulation resistance | $\geq 10 \text{ G}\Omega$ |

Connection data

Connection technology

| | |
|-----------------------|--------------------------------|
| Connection technology | Soldering and crimp connection |
|-----------------------|--------------------------------|

Dimensions

| | |
|---------------------|--|
| Dimensional drawing |  |
| Width | 34.2 mm |
| Height | 31.5 mm |
| Length | 14.6 mm |

Mechanical characteristics

| | |
|------------------|--------|
| Contact diameter | 4.8 mm |
|------------------|--------|

Material specifications

| | |
|--|--------------|
| Flammability rating according to UL 94 | V0 |
| Contact material | Copper alloy |

HC-M-04-MOD-ST - Contact insert module



1676792

<https://www.phoenixcontact.com/us/products/1676792>

| | |
|--------------------------|----|
| Contact surface material | Au |
| Contact carrier material | PC |

Mechanical properties

Mechanical data

| | |
|-----------------------------|-------|
| Insertion/withdrawal cycles | ≥ 500 |
|-----------------------------|-------|

Environmental and real-life conditions

Ambient conditions

| | |
|---------------------------------|-------------------|
| Ambient temperature (operation) | -40 °C ... 125 °C |
|---------------------------------|-------------------|

Mounting

| | |
|---------------|---|
| Assembly note | For housing heights ≥ 52 mm. Plug-in connections may only be operated only when there is no load/voltage. |
| | For HC-M-04-BU-KOAX... contacts |

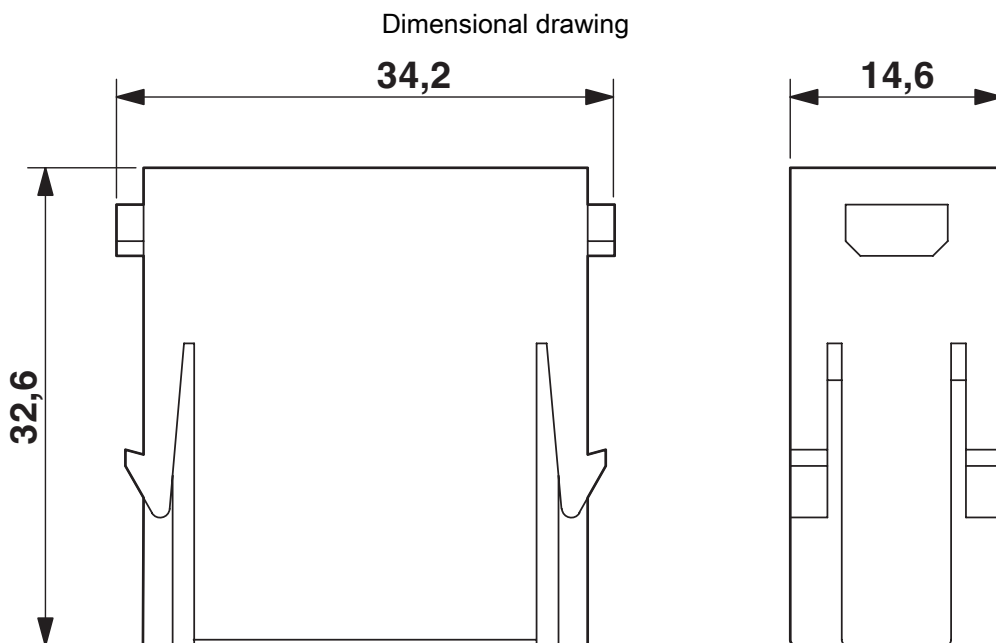
HC-M-04-MOD-ST - Contact insert module



1676792

<https://www.phoenixcontact.com/us/products/1676792>

Drawings



Male insert

HC-M-04-MOD-ST - Contact insert module



1676792

<https://www.phoenixcontact.com/us/products/1676792>

Environmental product compliance

EU RoHS

| | |
|---|--------------------|
| Fulfills EU RoHS substance requirements | Yes, No exemptions |
|---|--------------------|

EU REACH SVHC

| | |
|-------------------------------------|----------------------------|
| REACH candidate substance (CAS No.) | No substance above 0.1 wt% |
|-------------------------------------|----------------------------|

Phoenix Contact 2026 © - all rights reserved

<https://www.phoenixcontact.com>

Phoenix Contact USA
586 Fulling Mill Road
Middletown, PA 17057, United States
(+717) 944-1300
info@phoenixcon.com