

HC-M-PN2-6,00-BU - Pneumatic contact



1676763

<https://www.phoenixcontact.com/us/products/1676763>

Please be informed that the data shown in this PDF document is generated from our online catalog. Please find the complete data in the user documentation. Our general terms of use for downloads are valid.

Pneumatic socket, for HC-M-PN2 module, internal hose diameter of 6.0 mm



Commercial data

Item number	1676763
Packing unit	10 pc
Minimum order quantity	1 pc
Sales key	BF62
Product key	AF7ACZ
GTIN	4017918129415
Weight per piece (including packing)	1.516 g
Weight per piece (excluding packing)	1.37 g
Customs tariff number	39174000
Country of origin	US

HC-M-PN2-6,00-BU - Pneumatic contact



1676763

<https://www.phoenixcontact.com/us/products/1676763>

Technical data

Product properties

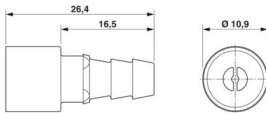
Product type	Pneumatic contact
Series	HC-M-02-PN
Integrated valve	No

Connection data

Connection technology

Contact connection type	Socket
Connection method	Tube connection

Dimensions

Dimensional drawing	
Width [w]	11.5 mm
Height [h]	11.5 mm
Depth	26.4 mm
Diameter (Internal hose diameter)	6 mm
Diameter (Contact diameter)	8 mm

Material specifications

Material Valve	Polypropylene
Material Seal	Buna-N
Material Contact	Delrin Acetal

Mechanical properties

Mechanical data

Insertion/withdrawal cycles	≥ 500
-----------------------------	-------

Characteristics

Operating pressure	8.00 bar
--------------------	----------

Environmental and real-life conditions

Ambient conditions

Ambient temperature (operation)	-40 °C ... 80 °C
---------------------------------	------------------

HC-M-PN2-6,00-BU - Pneumatic contact

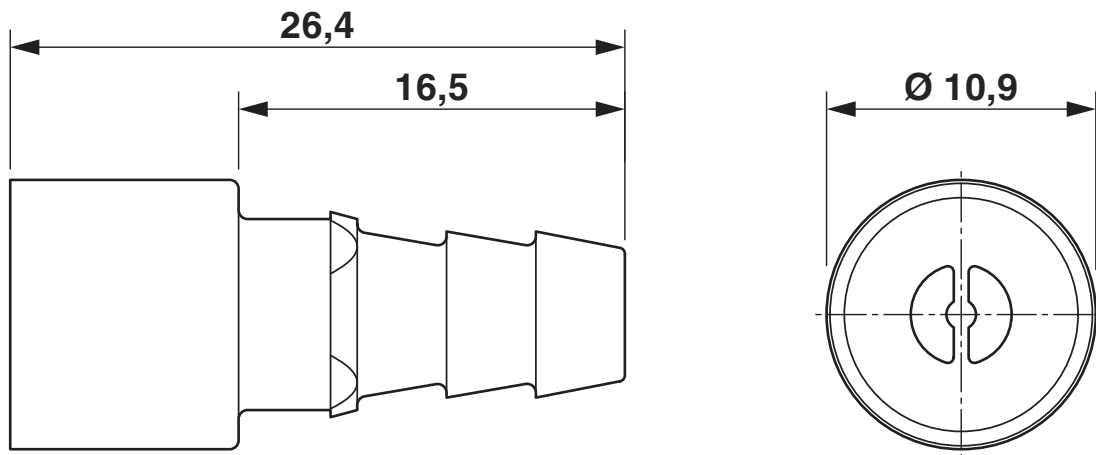
1676763

<https://www.phoenixcontact.com/us/products/1676763>



Drawings

Dimensional drawing



HC-M-PN2-6,00-BU - Pneumatic contact



1676763

<https://www.phoenixcontact.com/us/products/1676763>

Approvals

To download certificates, visit the product detail page: <https://www.phoenixcontact.com/us/products/1676763>



EAC

Approval ID: RU C-DE.AI30.B.01102

HC-M-PN2-6,00-BU - Pneumatic contact



1676763

<https://www.phoenixcontact.com/us/products/1676763>

Classifications

ECLASS

ECLASS-13.0	27440204
ECLASS-15.0	27440204

ETIM

ETIM 10.0	EC000796
-----------	----------

UNSPSC

UNSPSC 21.0	39121500
-------------	----------

HC-M-PN2-6,00-BU - Pneumatic contact



1676763

<https://www.phoenixcontact.com/us/products/1676763>

Environmental product compliance

EU RoHS

Fulfills EU RoHS substance requirements	Yes, No exemptions
---	--------------------

China RoHS

Environment friendly use period (EFUP)	EFUP-E
	No hazardous substances above the limits

EU REACH SVHC

REACH candidate substance (CAS No.)	No substance above 0.1 wt%
-------------------------------------	----------------------------

EF3.1 Climate Change

CO2e kg	0.371 kg CO2e
---------	---------------

Phoenix Contact 2026 © - all rights reserved
<https://www.phoenixcontact.com>

Phoenix Contact USA
586 Fulling Mill Road
Middletown, PA 17057, United States
(+717) 944-1300
info@phoenixcon.com