

HC-DS-PG11-E - Pressure screw set



1675476

<https://www.phoenixcontact.com/us/products/1675476>

Please be informed that the data shown in this PDF document is generated from our online catalog. Please find the complete data in the user documentation. Our general terms of use for downloads are valid.

Pg pressure screw set, standard version; for housing with Pg11 support; consisting of pressure screw, notched seal and 2 washers



Commercial data

Item number	1675476
Packing unit	1 pc
Note	Made to order (non-returnable)
Sales key	BF68
Product key	AF7DFX
GTIN	4017918150181
Weight per piece (including packing)	8.534 g
Weight per piece (excluding packing)	8 g
Customs tariff number	85369010
Country of origin	DE

HC-DS-PG11-E - Pressure screw set

1675476

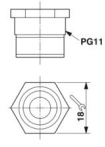
<https://www.phoenixcontact.com/us/products/1675476>

Technical data

Product properties

Product type	Half screw connection
No. of conductors	1
Shielded	no

Dimensions

Dimensional drawing	
Wrench size, union nut	18 mm

Material specifications

Material Pressure screw	Brass, nickel-plated
Seal material Cable seal	Perbunan

Cable/line

External cable diameter Cable 1	7.5 mm ... 12.5 mm
---------------------------------	--------------------

Characteristics

Conductor sealing range	7.50 mm ... 12.50 mm
-------------------------	----------------------

Environmental and real-life conditions

Ambient conditions

Degree of protection	IP54
Ambient temperature (operation)	-20 °C ... 80 °C

HC-DS-PG11-E - Pressure screw set

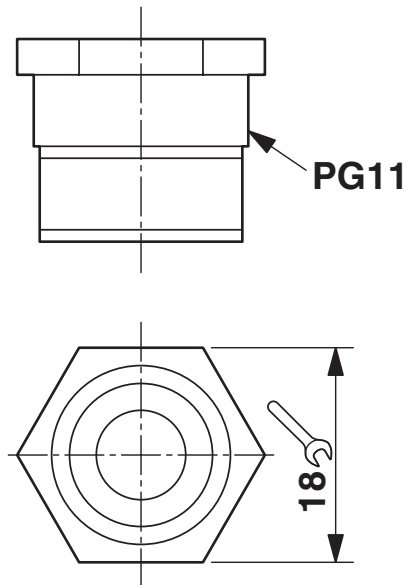
1675476

<https://www.phoenixcontact.com/us/products/1675476>



Drawings

Dimensional drawing



Dimensional drawing

HC-DS-PG11-E - Pressure screw set



1675476

<https://www.phoenixcontact.com/us/products/1675476>

Environmental product compliance

EU RoHS

Fulfills EU RoHS substance requirements	Yes, No exemptions
---	--------------------

China RoHS

Environment friendly use period (EFUP)	EFUP-E
	No hazardous substances above the limits

EU REACH SVHC

REACH candidate substance (CAS No.)	No substance above 0.1 wt%
-------------------------------------	----------------------------

Phoenix Contact 2026 © - all rights reserved
<https://www.phoenixcontact.com>

Phoenix Contact USA
586 Fulling Mill Road
Middletown, PA 17057, United States
(+717) 944-1300
info@phoenixcon.com