

# HC-B 32-SMQ-72/O2PG29 - Housing



1675049

<https://www.phoenixcontact.com/us/products/1675049>

Please be informed that the data shown in this PDF document is generated from our online catalog. Please find the complete data in the user documentation. Our general terms of use for downloads are valid.

Box mounting base, with double locking latch, height: 72 mm, with glands, 2 x Pg29



## Commercial data

Item number	1675049
Packing unit	1 pc
Note	Made to order (non-returnable)
Sales key	BF55
Product key	AF7AAC
GTIN	4017918149802
Weight per piece (including packing)	513 g
Weight per piece (excluding packing)	508.9 g
Customs tariff number	85389099
Country of origin	DE

# HC-B 32-SMQ-72/O2PG29 - Housing



1675049

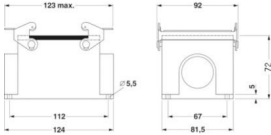
<https://www.phoenixcontact.com/us/products/1675049>

## Technical data

### Product properties

Product type	Housing with locking latch
Housing type	Surface mounting housing
Application	Standard
Type	B32
No. of cable outlets	2
Type of the screw connection	2x Pg29
Cable outlet	lateral
Pg screw connection	none

### Dimensions

Dimensional drawing	
Width	81.5 mm
Height	72 mm
Length	124 mm

### Material specifications

Seal material	NBR
Housing material	Die-cast aluminum
Housing surface material	Powder-coated, gray
Locking latch material	Steel, galvanized

### Mechanical properties

#### Mechanical data

Type of the screw connection	2x Pg29
Locking type	Latch

### Mounting

Assembly note	For half and full screw connections
---------------	-------------------------------------

### Environmental and real-life conditions

#### Ambient conditions

Degree of protection	IP65
Ambient temperature (operation)	-40 °C ... 125 °C

# HC-B 32-SMQ-72/O2PG29 - Housing

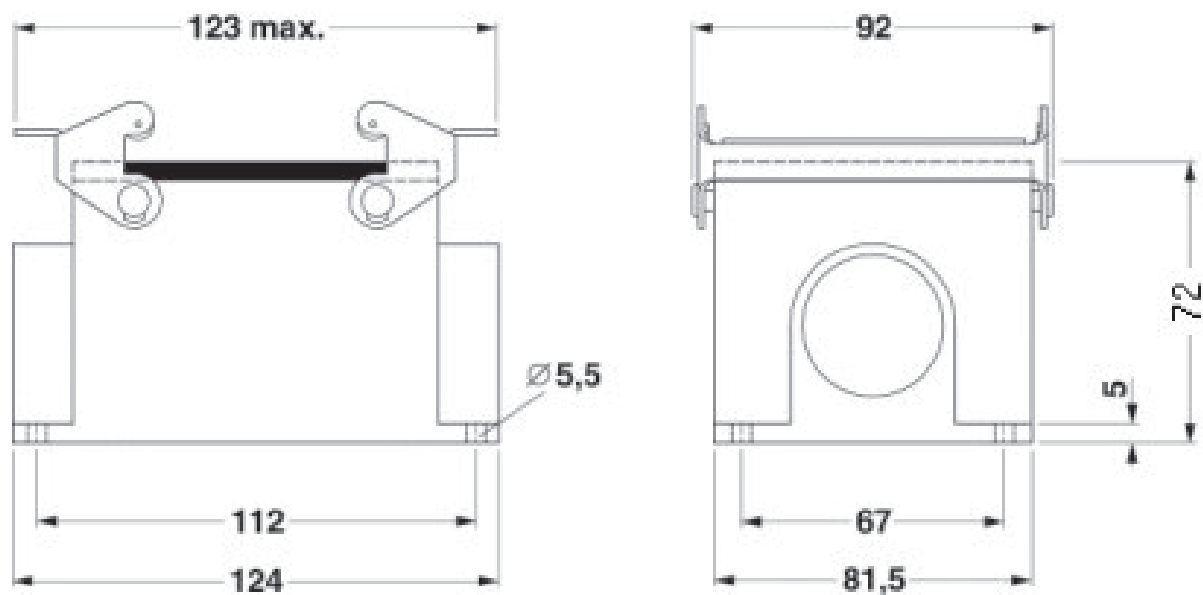


1675049

<https://www.phoenixcontact.com/us/products/1675049>

## Drawings

Dimensional drawing



Dimensional drawing

# HC-B 32-SMQ-72/O2PG29 - Housing



1675049

<https://www.phoenixcontact.com/us/products/1675049>

## Classifications

### ECLASS

ECLASS-13.0	27440202
ECLASS-15.0	27440202

### UNSPSC

UNSPSC 21.0	31261501
-------------	----------

# HC-B 32-SMQ-72/O2PG29 - Housing



1675049

<https://www.phoenixcontact.com/us/products/1675049>

## Environmental product compliance

### China RoHS

Environment friendly use period (EFUP)	EFUP-E
	No hazardous substances above the limits

### EU REACH SVHC

REACH candidate substance (CAS No.)	No substance above 0.1 wt%
-------------------------------------	----------------------------

Phoenix Contact 2026 © - all rights reserved  
<https://www.phoenixcontact.com>

Phoenix Contact USA  
586 Fulling Mill Road  
Middletown, PA 17057, United States  
(+717) 944-1300  
[info@phoenixcon.com](mailto:info@phoenixcon.com)