

HC-B 32-KMQ-82/O1PG29 - Housing



1675023

<https://www.phoenixcontact.com/us/products/1675023>

Please be informed that the data shown in this PDF document is generated from our online catalog. Please find the complete data in the user documentation. Our general terms of use for downloads are valid.

Coupling housing, with double locking latch, height: 82 mm, with gland, 1 x Pg29



Commercial data

Item number	1675023
Packing unit	1 pc
Note	Made to order (non-returnable)
Sales key	BF55
Product key	AF7AAC
GTIN	4017918149789
Weight per piece (including packing)	525.6 g
Weight per piece (excluding packing)	525.6 g
Customs tariff number	85389099
Country of origin	DE

HC-B 32-KMQ-82/O1PG29 - Housing

1675023

<https://www.phoenixcontact.com/us/products/1675023>

Technical data

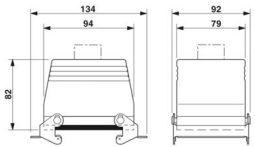
Notes

General	For contact inserts HC-B32, DD144, M
---------	--------------------------------------

Product properties

Product type	Housing with locking latch
Housing type	Coupling housings
Application	Standard
Type	B32
No. of cable outlets	1
Type of the screw connection	1x Pg29
Cable outlet	straight
Pg screw connection	none

Dimensions

Dimensional drawing	
Width	79 mm
Height	82 mm
Length	94 mm

Material specifications

Seal material	NBR
Housing material	Die-cast aluminum
Housing surface material	Powder-coated, gray
Locking latch material	Steel, galvanized

Mechanical properties

Mechanical data

Type of the screw connection	1x Pg29
Locking type	Latch

Mounting

Assembly note	For half and full screw connections
---------------	-------------------------------------

Environmental and real-life conditions

Ambient conditions

Degree of protection	IP65
Ambient temperature (operation)	-40 °C ... 125 °C

HC-B 32-KMQ-82/O1PG29 - Housing

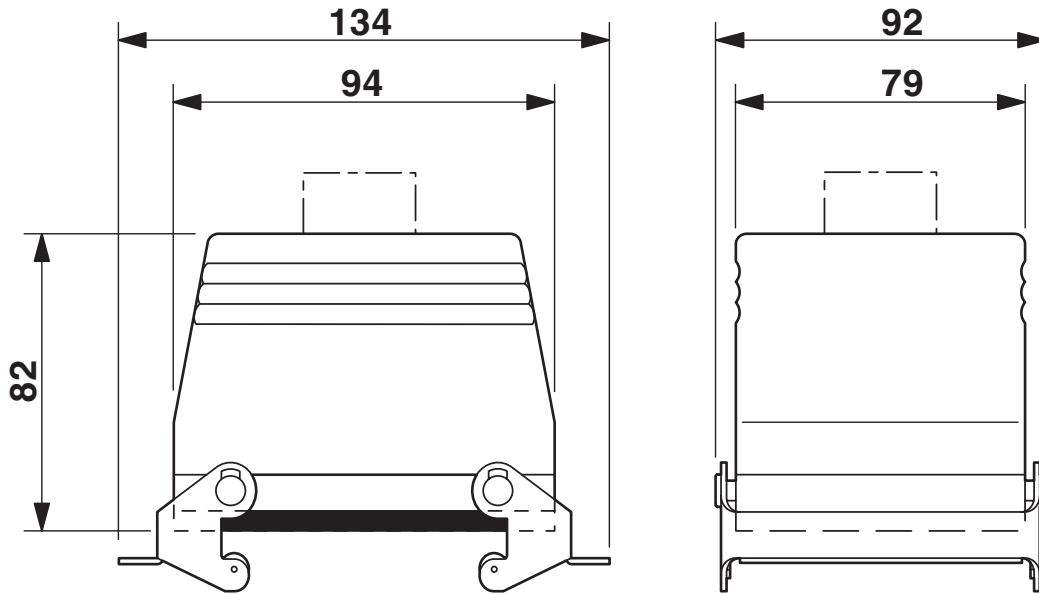


1675023

<https://www.phoenixcontact.com/us/products/1675023>

Drawings

Dimensional drawing



Dimensional drawing

HC-B 32-KMQ-82/O1PG29 - Housing



1675023

<https://www.phoenixcontact.com/us/products/1675023>

Classifications

ECLASS

ECLASS-13.0	27440202
ECLASS-15.0	27440202

UNSPSC

UNSPSC 21.0	31261501
-------------	----------

HC-B 32-KMQ-82/O1PG29 - Housing



1675023

<https://www.phoenixcontact.com/us/products/1675023>

Environmental product compliance

China RoHS

Environment friendly use period (EFUP)	EFUP-E
	No hazardous substances above the limits

EU REACH SVHC

REACH candidate substance (CAS No.)	No substance above 0.1 wt%
-------------------------------------	----------------------------

Phoenix Contact 2026 © - all rights reserved
<https://www.phoenixcontact.com>

Phoenix Contact USA
586 Fulling Mill Road
Middletown, PA 17057, United States
(+717) 944-1300
info@phoenixcon.com