

CK2,5-ED-2,50BU AU - Crimp contact



1674862

<https://www.phoenixcontact.com/us/products/1674862>

Please be informed that the data shown in this PDF document is generated from our online catalog. Please find the complete data in the user documentation. Our general terms of use for downloads are valid.



Crimp contact, series: HC-M-06, Socket, turned, contact diameter: 2.5 mm, rated current: 16 A, connection cross section: 2.5 mm² ... 2.5 mm², AWG 14...14, contact material: Cu alloy

Commercial data

| | |
|--------------------------------------|---------------|
| Item number | 1674862 |
| Packing unit | 100 pc |
| Minimum order quantity | 100 pc |
| Sales key | BF65 |
| Product key | AF7AID |
| GTIN | 4017918135560 |
| Weight per piece (including packing) | 1.58 g |
| Weight per piece (excluding packing) | 1.58 g |
| Customs tariff number | 85366990 |
| Country of origin | DE |

CK2,5-ED-2,50BU AU - Crimp contact



1674862

<https://www.phoenixcontact.com/us/products/1674862>

Technical data

Product properties

| | |
|-----------------------|---------------|
| Product type | Crimp contact |
| Series | HC-M-06 |
| | HC-M-HV |
| | HC-M-08 |
| | HC-A |
| | HC-BB |
| | HC-B |
| | HC-HV |
| | HC-M-20 |
| | HC-K |
| | HC-BBB |
| | HC-Q |
| | HC-COM |
| | HC-M-EMV |
| Contact material type | turned |

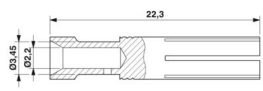
Connection data

| | |
|------------------------------|---|
| Connection technology | |
| Contact connection type | Socket |
| Connection method | Crimp connection |
| Conductor connection | |
| Stripping length | 7.5 mm (9.5 mm at HC-M-HV...) |
| Connection cross section | 2.5 mm ² ... 2.5 mm ² |
| Connection cross section AWG | 14 ... 14 |

Material specifications

| | |
|--------------------------|----------|
| Material Contact | Cu alloy |
| Material Contact surface | Au |

Dimensions

| | |
|-----------------------------|--|
| Dimensional drawing |  |
| Diameter (Contact diameter) | 2.5 mm |

Electrical properties

| | |
|---------------|---|
| Rated current | 16 A (Take into account the derating of the contact insert used. The rated current corresponds to the maximum possible connection cross-section.) |
|---------------|---|

CK2,5-ED-2,50BU AU - Crimp contact



1674862

<https://www.phoenixcontact.com/us/products/1674862>

Mechanical properties

Mechanical data

| | |
|-----------------------------|-------|
| Insertion/withdrawal cycles | ≥ 500 |
|-----------------------------|-------|

Environmental and real-life conditions

Ambient conditions

| | |
|---------------------------------|-------------------|
| Ambient temperature (operation) | -40 °C ... 125 °C |
|---------------------------------|-------------------|

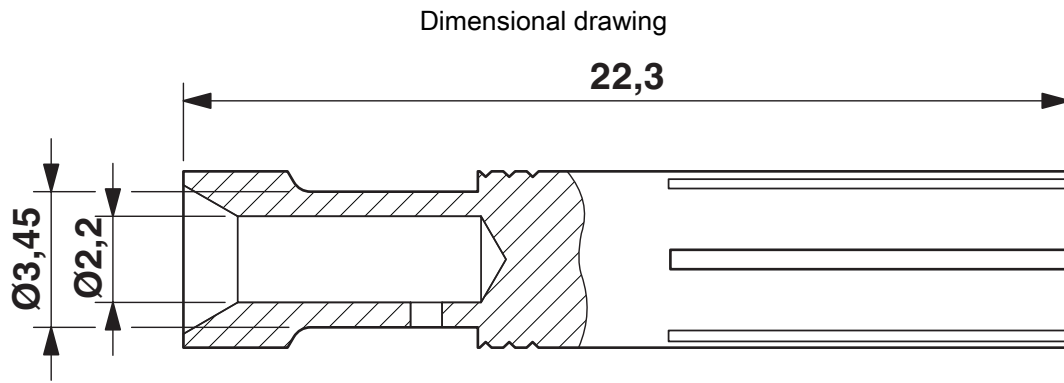
CK2,5-ED-2,50BU AU - Crimp contact



1674862

<https://www.phoenixcontact.com/us/products/1674862>

Drawings



Dimensional drawing

CK2,5-ED-2,50BU AU - Crimp contact



1674862

<https://www.phoenixcontact.com/us/products/1674862>

Approvals

To download certificates, visit the product detail page: <https://www.phoenixcontact.com/us/products/1674862>



EAC

Approval ID: RU C-DE.AI30.B.01102

CK2,5-ED-2,50BU AU - Crimp contact



1674862

<https://www.phoenixcontact.com/us/products/1674862>

Classifications

ECLASS

| | |
|-------------|----------|
| ECLASS-13.0 | 27440204 |
| ECLASS-15.0 | 27440204 |

ETIM

| | |
|-----------|----------|
| ETIM 10.0 | EC000796 |
|-----------|----------|

UNSPSC

| | |
|-------------|----------|
| UNSPSC 21.0 | 39121500 |
|-------------|----------|

CK2,5-ED-2,50BU AU - Crimp contact



1674862

<https://www.phoenixcontact.com/us/products/1674862>

Environmental product compliance

EU RoHS

| | |
|---|--------------------|
| Fulfills EU RoHS substance requirements | Yes, No exemptions |
|---|--------------------|

China RoHS

| | |
|--|--|
| Environment friendly use period (EFUP) | EFUP-E |
| | No hazardous substances above the limits |

EU REACH SVHC

| | |
|-------------------------------------|----------------------------|
| REACH candidate substance (CAS No.) | No substance above 0.1 wt% |
|-------------------------------------|----------------------------|

Phoenix Contact 2026 © - all rights reserved
<https://www.phoenixcontact.com>

Phoenix Contact USA
586 Fulling Mill Road
Middletown, PA 17057, United States
(+717) 944-1300
info@phoenixcon.com