

# HC-DD 72-EBUC - Contact insert

1674697

<https://www.phoenixcontact.com/us/products/1674697>

Please be informed that the data shown in this PDF document is generated from our online catalog. Please find the complete data in the user documentation. Our general terms of use for downloads are valid.

HEAVYCON female insert, D72 series, 72-pos., crimp connection



## Commercial data

Item number	1674697
Packing unit	1 pc
Note	Made to order (non-returnable)
Sales key	BF61
Product key	AF7ABF
GTIN	4017918144883
Weight per piece (including packing)	81 g
Weight per piece (excluding packing)	81 g
Customs tariff number	85366990
Country of origin	DE

# HC-DD 72-EBUC - Contact insert

1674697

<https://www.phoenixcontact.com/us/products/1674697>

## Technical data

### Mounting

Assembly note	-Housing heights with $h \geq 72$ mm are recommended in the case of a large number of wires. -Use of HC-CST (1676857) coding pins and HC-CBU (1676860) coding sockets has been prescribed.
---------------	---

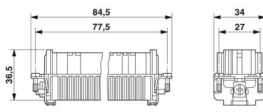
### Product properties

Product type	Contact insert with a fixed no. of positions
Type	DD72
Number of positions	72
Connection profile	72+PE
Contact numbering	1 - 72

### Insulation characteristics

Overvoltage category	III
Degree of pollution	3

### Dimensions

Dimensional drawing	
Width	34 mm
Height	36.5 mm
Length	84.5 mm

### Connection data

#### Connection technology

Connection technology	Crimp connection
Connection in acc. with standard	IEC / EN

#### Conductor connection

Conductor cross-section	0.14 mm <sup>2</sup> ... 2.5 mm <sup>2</sup>
Connection cross section AWG	26 ... 14
Stripping length of the individual wire	8 mm 6 mm (2.5 mm <sup>2</sup> )

### Electrical properties

Rated voltage (III/3)	250 V
Rated surge voltage	4 kV
Rated current	10 A

# HC-DD 72-EBUC - Contact insert



1674697

<https://www.phoenixcontact.com/us/products/1674697>

## Mechanical properties

### Mechanical data

Insertion/withdrawal cycles	≥ 500
-----------------------------	-------

## Material specifications

Flammability rating according to UL 94	V0
Contact material	Copper alloy
Contact surface material	Ag (alternatively Au)
Contact carrier material	PA

## Environmental and real-life conditions

### Ambient conditions

Ambient temperature (operation)	-40 °C ... 125 °C (including heating up of contacts)
---------------------------------	--

## Standards and regulations

Constructional and testing regulations	DIN VDE 0627/86
	DIN VDE 0110/02.79
	DIN VDE 0110-1/04.97
	IEC 60664-1, DIN IEC 60512
	IEC 60352
Tests	DIN VDE 0627/86
	DIN VDE 0110/02.79
	DIN VDE 0110-1/04.97
	IEC 60664-1, DIN IEC 60512
	IEC 60352

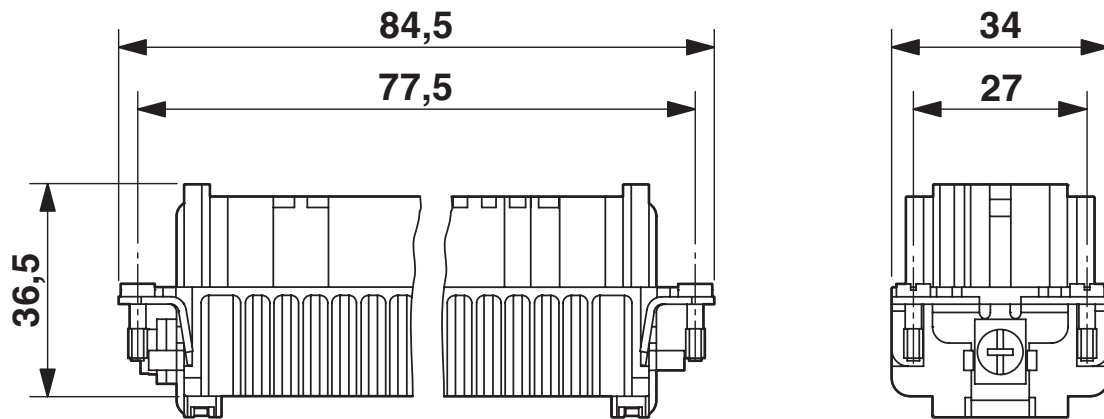
# HC-DD 72-EBUC - Contact insert

1674697

<https://www.phoenixcontact.com/us/products/1674697>

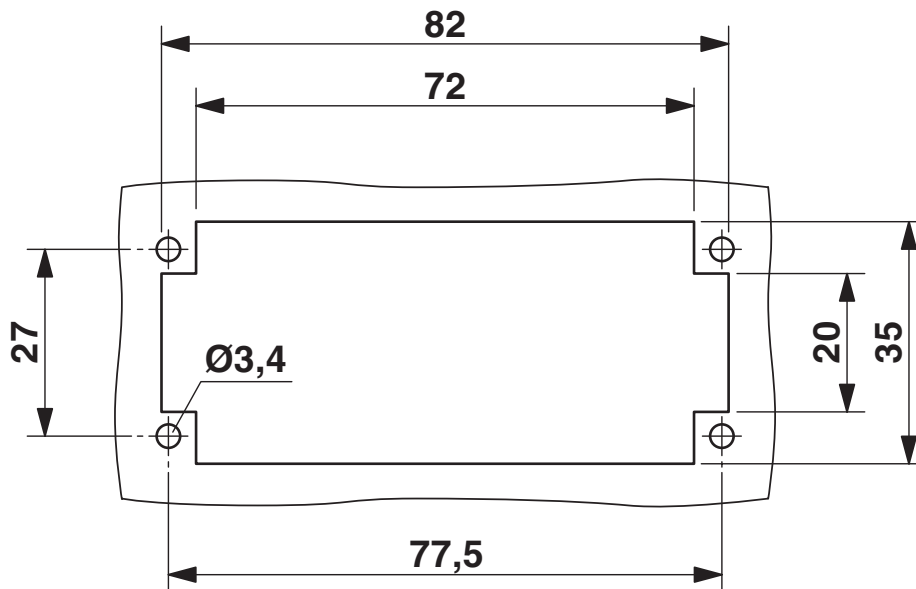
## Drawings

Dimensional drawing



## Female insert

Dimensional drawing



## Mounting cutout

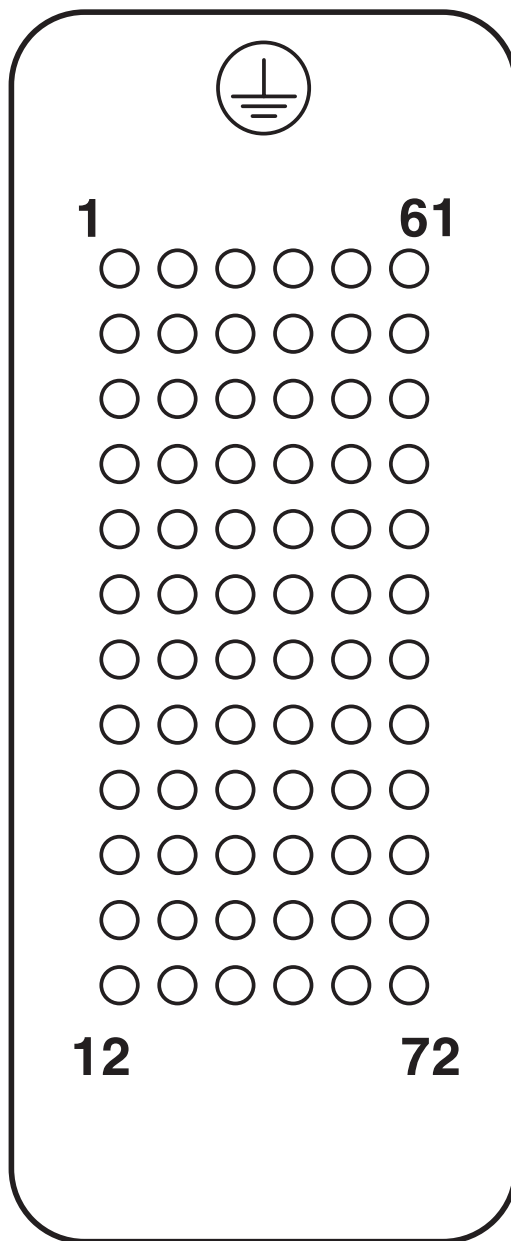
# HC-DD 72-EBUC - Contact insert

1674697

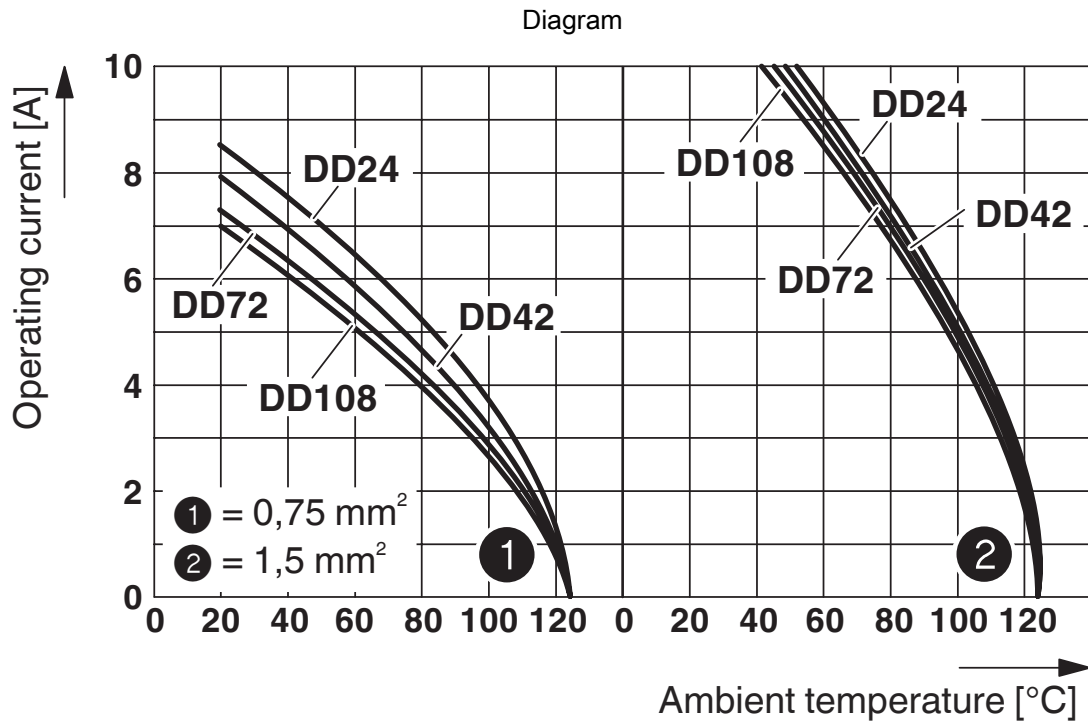
<https://www.phoenixcontact.com/us/products/1674697>



Schematic diagram



Connector pin assignment, connection side



Derating diagram

# HC-DD 72-EBUC - Contact insert



1674697

<https://www.phoenixcontact.com/us/products/1674697>

## Classifications

### ECLASS

ECLASS-13.0	27440205
ECLASS-15.0	27440205

1674697

<https://www.phoenixcontact.com/us/products/1674697>

## Environmental product compliance

### China RoHS

Environment friendly use period (EFUP)	EFUP-50
	An article-related China RoHS declaration table can be found in the download area for the respective article under "Manufacturer declaration". For all articles with EFUP-E, no China RoHS declaration table issued and required.

### EU REACH SVHC

REACH candidate substance (CAS No.)	No substance above 0.1 wt%
-------------------------------------	----------------------------

Phoenix Contact 2026 © - all rights reserved

<https://www.phoenixcontact.com>

Phoenix Contact USA  
586 Fulling Mill Road  
Middletown, PA 17057, United States  
(+717) 944-1300  
[info@phoenixcon.com](mailto:info@phoenixcon.com)