

HC-DD 24-EBUC - Contact insert



1674655

<https://www.phoenixcontact.com/us/products/1674655>

Please be informed that the data shown in this PDF document is generated from our online catalog. Please find the complete data in the user documentation. Our general terms of use for downloads are valid.



HEAVYCON female insert, DD24 series, 24-pos., crimp connection

The figure shows a combination of versions HC-DD 24-EBUC and HC-DD 24-ESTC

Commercial data

Item number	1674655
Packing unit	1 pc
Note	Made to order (non-returnable)
Sales key	BF61
Product key	AF7ABF
GTIN	4017918144937
Weight per piece (including packing)	51.72 g
Weight per piece (excluding packing)	51.72 g
Customs tariff number	85366990
Country of origin	DE

HC-DD 24-EBUC - Contact insert



1674655

<https://www.phoenixcontact.com/us/products/1674655>

Technical data

Mounting

Assembly note	-Housing heights with $h \geq 72$ mm are recommended in the case of a large number of wires. -Use of HC-CST (1676857) coding pins and HC-CBU (1676860) coding sockets has been prescribed.
	Connectors may be plugged in only when there is no load/voltage.

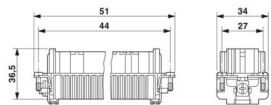
Product properties

Product type	Contact insert with a fixed no. of positions
Type	DD24
Number of positions	24
Connection profile	24+PE

Insulation characteristics

Overvoltage category	III
Degree of pollution	3

Dimensions

Dimensional drawing	
Width	34 mm
Height	36.5 mm
Length	51 mm

Connection data

Connection technology

Connection technology	Crimp connection
Connection in acc. with standard	IEC / EN

Conductor connection

Conductor cross-section	0.14 mm ² ... 2.5 mm ²
Connection cross section AWG	26 ... 14
Stripping length of the individual wire	8 mm
	6 mm (2.5 mm ²)

Electrical properties

Rated voltage (III/3)	250 V
Rated surge voltage	4 kV
Rated current	10 A

HC-DD 24-EBUC - Contact insert



1674655

<https://www.phoenixcontact.com/us/products/1674655>

Mechanical properties

Mechanical data

Insertion/withdrawal cycles	≥ 500
-----------------------------	-------

Material specifications

Flammability rating according to UL 94	V0
Contact material	Copper alloy
Contact surface material	Ag (alternatively Au)
Contact carrier material	PA

Environmental and real-life conditions

Ambient conditions

Ambient temperature (operation)	-40 °C ... 125 °C (including heating up of contacts)
---------------------------------	--

Standards and regulations

Constructional and testing regulations	DIN VDE 0627/86
	DIN VDE 0110/02.79
	DIN VDE 0110-1/04.97
	IEC 60664-1, DIN IEC 60512
	IEC 60352
Tests	DIN VDE 0627/86
	DIN VDE 0110/02.79
	DIN VDE 0110-1/04.97
	IEC 60664-1, DIN IEC 60512
	IEC 60352

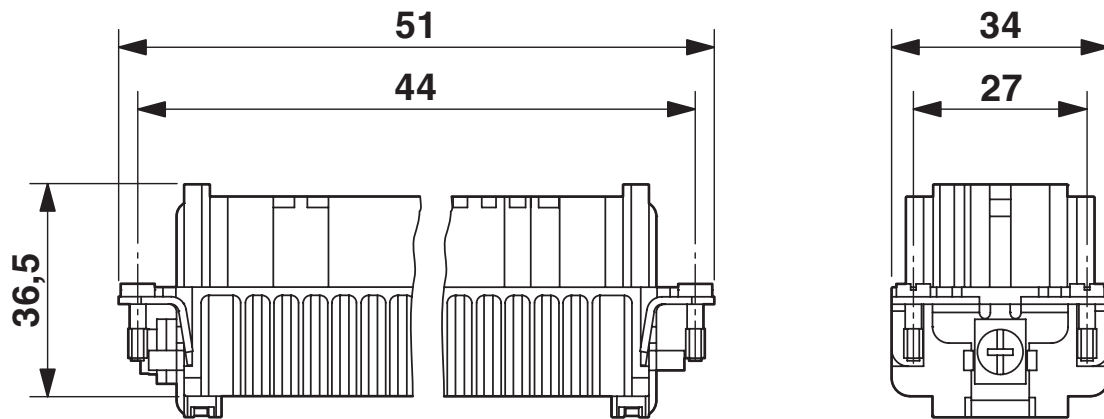
HC-DD 24-EBUC - Contact insert

1674655

<https://www.phoenixcontact.com/us/products/1674655>

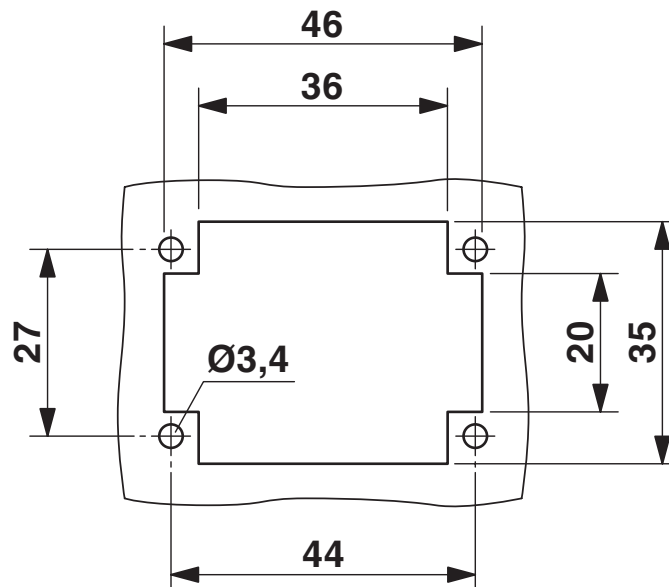
Drawings

Dimensional drawing



Female insert

Dimensional drawing

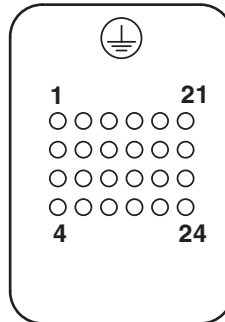


Mounting cutout

1674655

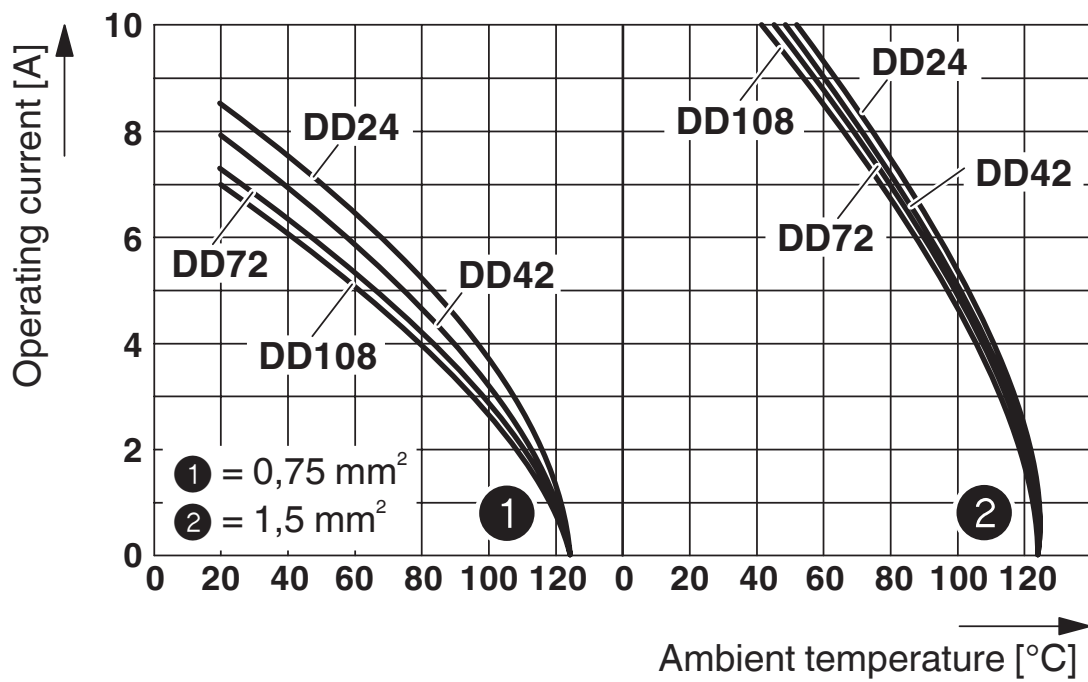
<https://www.phoenixcontact.com/us/products/1674655>

Schematic diagram



Connector pin assignment, connection side

Diagram



Derating diagram

HC-DD 24-EBUC - Contact insert



1674655

<https://www.phoenixcontact.com/us/products/1674655>

Classifications

ECLASS

ECLASS-13.0	27440205
ECLASS-15.0	27440205

1674655

<https://www.phoenixcontact.com/us/products/1674655>

Environmental product compliance

China RoHS

Environment friendly use period (EFUP)	EFUP-50
	An article-related China RoHS declaration table can be found in the download area for the respective article under "Manufacturer declaration". For all articles with EFUP-E, no China RoHS declaration table issued and required.

EU REACH SVHC

REACH candidate substance (CAS No.)	No substance above 0.1 wt%
-------------------------------------	----------------------------

Phoenix Contact 2026 © - all rights reserved
<https://www.phoenixcontact.com>

Phoenix Contact USA
586 Fulling Mill Road
Middletown, PA 17057, United States
(+717) 944-1300
info@phoenixcon.com