

HC-HS 6-ESTS-12 - Contact insert



1674574

<https://www.phoenixcontact.com/us/products/1674574>

Please be informed that the data shown in this PDF document is generated from our online catalog. Please find the complete data in the user documentation. Our general terms of use for downloads are valid.

HEAVYCON male insert, HS6 series, screw connection, numbering from 7-12



The figure shows version HC-HS 6-ESTS

Commercial data

| | |
|--------------------------------------|--------------------------------|
| Item number | 1674574 |
| Packing unit | 1 pc |
| Note | Made to order (non-returnable) |
| Sales key | BF61 |
| Product key | AF7ABI |
| GTIN | 4017918144685 |
| Weight per piece (including packing) | 99.3 g |
| Weight per piece (excluding packing) | 95.83 g |
| Customs tariff number | 85366990 |
| Country of origin | DE |

HC-HS 6-ESTS-12 - Contact insert



1674574

<https://www.phoenixcontact.com/us/products/1674574>

Technical data

Mounting

| | |
|---------------|--|
| Assembly note | Connectors may be operated only when there is no load/voltage. |
|---------------|--|

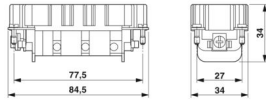
Product properties

| | |
|---------------------|--|
| Product type | Contact insert with a fixed no. of positions |
| Series | HC-HS |
| Type | B16 B32 |
| Number of positions | 6 |
| Connection profile | 6+PE |
| Contact numbering | 7 - 12 |

Insulation characteristics

| | |
|----------------------|-----|
| Overvoltage category | III |
| Degree of pollution | 3 |

Dimensions

| | |
|---------------------------------|--|
| Dimensional drawing |  |
| Width | 34 mm |
| Height | 34 mm |
| Length | 84.5 mm |
| Drill hole distance, horizontal | 77.5 mm |

Connection data

Connection technology

| | |
|----------------------------------|------------------|
| Connection technology | Screw connection |
| Connection in acc. with standard | IEC / EN |

Conductor connection

| | |
|---|---|
| Conductor cross-section | 0.5 mm ² ... 6 mm ² |
| Connection cross section AWG | 20 ... 10 |
| Tightening torque | 1.2 Nm |
| Stripping length of the individual wire | 10 mm |

Electrical properties

| | |
|-----------------------|-------|
| Rated voltage (III/3) | 500 V |
| Rated surge voltage | 6 kV |
| Rated current | 35 A |

HC-HS 6-ESTS-12 - Contact insert



1674574

<https://www.phoenixcontact.com/us/products/1674574>

Mechanical properties

Mechanical data

| | |
|-----------------------------|-------|
| Insertion/withdrawal cycles | ≥ 500 |
|-----------------------------|-------|

Material specifications

| | |
|--|--------------|
| Flammability rating according to UL 94 | V0 |
| Contact material | Copper alloy |
| Contact surface material | Ag |
| Contact carrier material | PA |

Environmental and real-life conditions

Ambient conditions

| | |
|---------------------------------|--|
| Ambient temperature (operation) | -40 °C ... 125 °C (including heating up of contacts) |
|---------------------------------|--|

Standards and regulations

| | |
|--|----------------------------|
| Constructional and testing regulations | DIN VDE 0627/86 |
| | DIN VDE 0110/02.79 |
| | DIN VDE 0110-1/04.97 |
| | IEC 60664-1, DIN IEC 60512 |
| Tests | DIN VDE 0627/86 |
| | DIN VDE 0110/02.79 |
| | DIN VDE 0110-1/04.97 |
| | IEC 60664-1, DIN IEC 60512 |

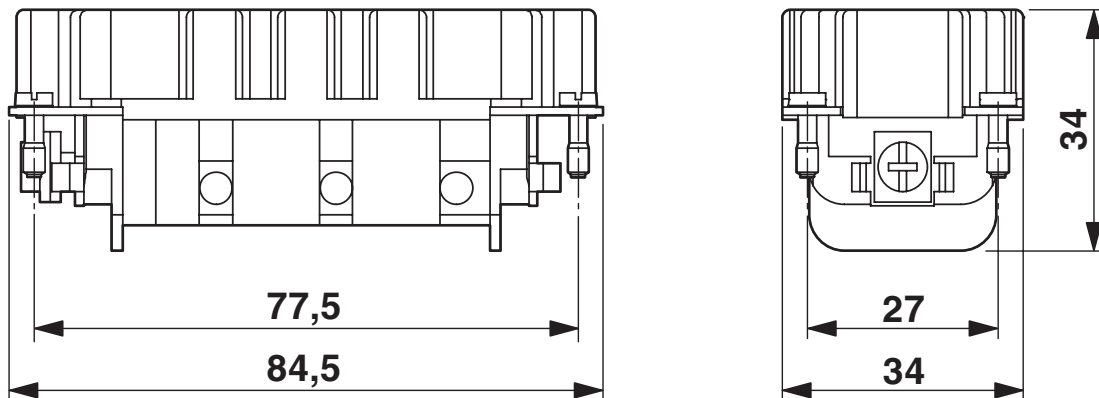
HC-HS 6-ESTS-12 - Contact insert

1674574

<https://www.phoenixcontact.com/us/products/1674574>

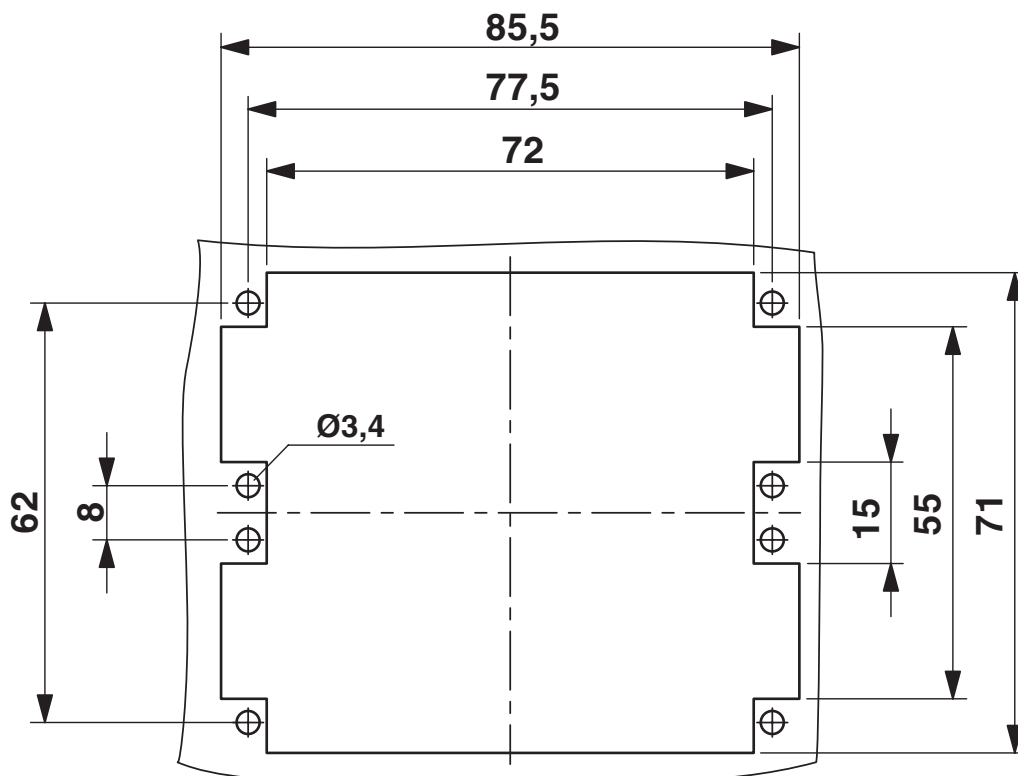
Drawings

Dimensional drawing



Male insert

Dimensional drawing



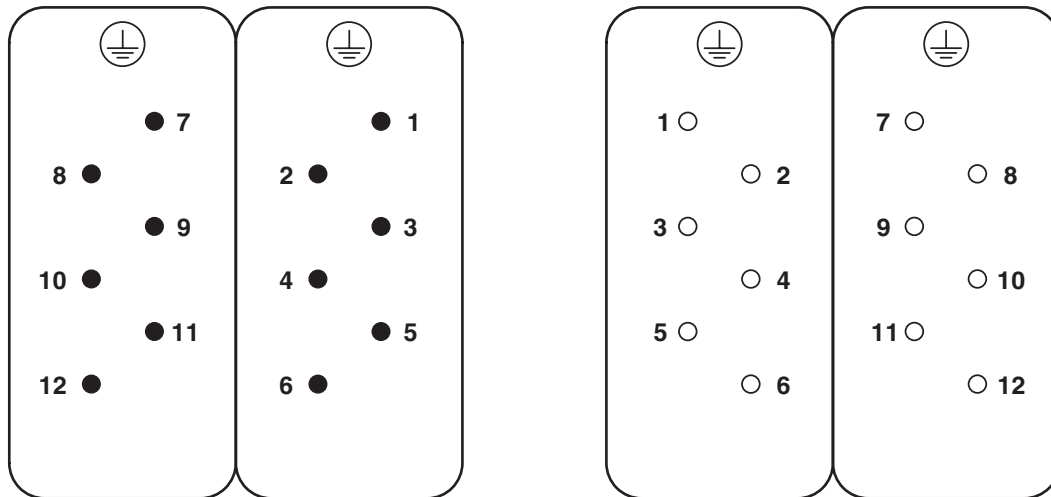
Mounting cutout

HC-HS 6-ESTS-12 - Contact insert

1674574

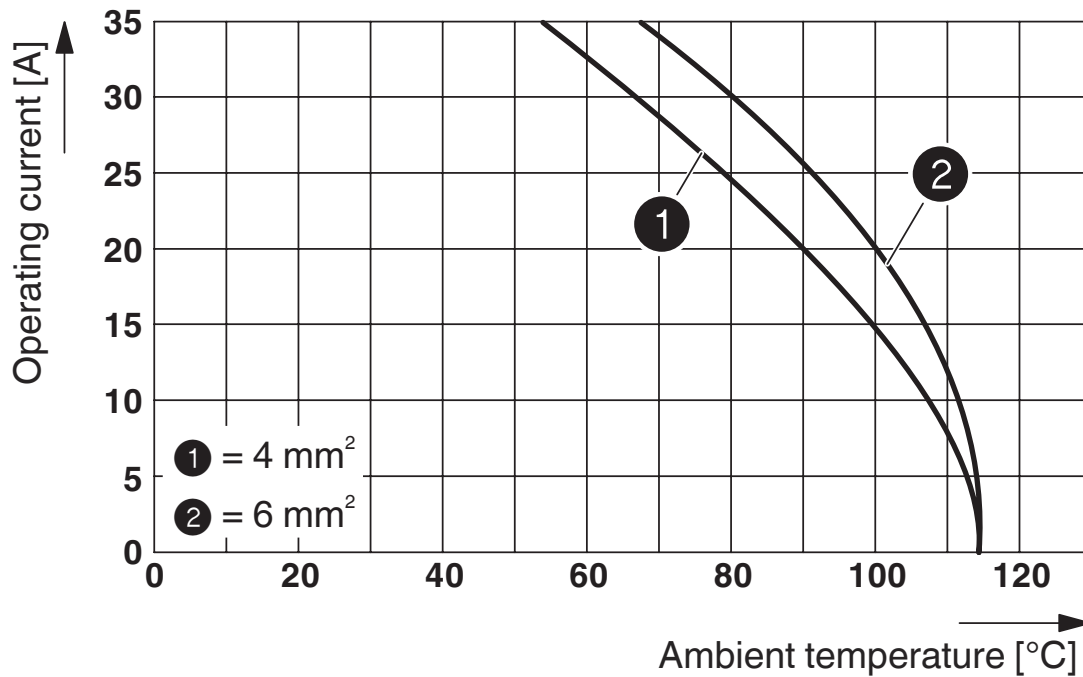
<https://www.phoenixcontact.com/us/products/1674574>

Schematic diagram



Connector pin assignment, connection side

Diagram



Derating diagram: HC-HS...S series

HC-HS 6-ESTS-12 - Contact insert



1674574

<https://www.phoenixcontact.com/us/products/1674574>

Classifications

ECLASS

| | |
|-------------|----------|
| ECLASS-13.0 | 27440205 |
| ECLASS-15.0 | 27440205 |

HC-HS 6-ESTS-12 - Contact insert



1674574

<https://www.phoenixcontact.com/us/products/1674574>

Environmental product compliance

China RoHS

| | |
|--|---|
| Environment friendly use period (EFUP) | EFUP-50 |
| | An article-related China RoHS declaration table can be found in the download area for the respective article under "Manufacturer declaration". For all articles with EFUP-E, no China RoHS declaration table issued and required. |

EU REACH SVHC

| | |
|-------------------------------------|----------------------------|
| REACH candidate substance (CAS No.) | No substance above 0.1 wt% |
|-------------------------------------|----------------------------|

Phoenix Contact 2026 © - all rights reserved
<https://www.phoenixcontact.com>

Phoenix Contact USA
586 Fulling Mill Road
Middletown, PA 17057, United States
(+717) 944-1300
info@phoenixcon.com