

HC-BS-PG36 - Screw plug

1674545

<https://www.phoenixcontact.com/us/products/1674545>



Please be informed that the data shown in this PDF document is generated from our online catalog. Please find the complete data in the user documentation. Our general terms of use for downloads are valid.

Screw plug, connecting thread: Pg36, color: silver-colored



Commercial data

Item number	1674545
Packing unit	10 pc
Minimum order quantity	1 pc
Sales key	BF68
Product key	AF7DZX
GTIN	4017918135447
Weight per piece (including packing)	72.1 g
Weight per piece (excluding packing)	65.87 g
Customs tariff number	74198090
Country of origin	DE

HC-BS-PG36 - Screw plug

1674545

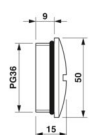
<https://www.phoenixcontact.com/us/products/1674545>

Technical data

Product properties

Product type	Plug for cable screw gland
Pg screw connection	Pg36

Dimensions

Dimensional drawing	
Length	13 mm
Length of the connecting thread	8 mm
Diameter	50 mm 50 mm
Hexagon angular dimension	Diameter (no corners)
Thread type connection side	Pg36

Material specifications

Color	brass color
Material	Brass, nickel-plated
Seal material O-ring	NBR
Housing surface material	Ni

Cable/line

Halogen-free	no
--------------	----

Environmental and real-life conditions

Ambient conditions

Degree of protection	IP68
Ambient temperature (operation)	-20 °C ... 80 °C

HC-BS-PG36 - Screw plug

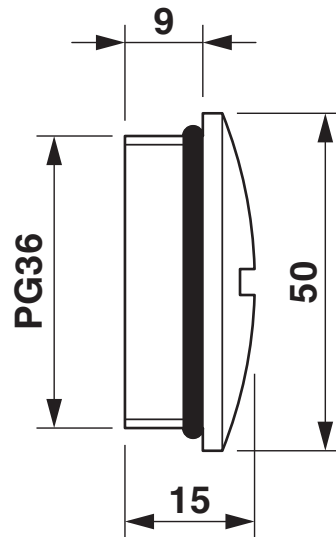
1674545

<https://www.phoenixcontact.com/us/products/1674545>



Drawings

Dimensional drawing



Filler plugs Pg36

HC-BS-PG36 - Screw plug

1674545

<https://www.phoenixcontact.com/us/products/1674545>



Approvals

To download certificates, visit the product detail page: <https://www.phoenixcontact.com/us/products/1674545>



EAC

Approval ID: RU C-DE.AI30.B.01102

HC-BS-PG36 - Screw plug

1674545

<https://www.phoenixcontact.com/us/products/1674545>



Classifications

ECLASS

ECLASS-13.0	23111190
ECLASS-15.0	27140805

ETIM

ETIM 10.0	EC000032
-----------	----------

UNSPSC

UNSPSC 21.0	31261500
-------------	----------

HC-BS-PG36 - Screw plug



1674545

<https://www.phoenixcontact.com/us/products/1674545>

Environmental product compliance

EU RoHS

Fulfills EU RoHS substance requirements	Yes
Exemption	6(c)

China RoHS

Environment friendly use period (EFUP)	EFUP-50
	An article-related China RoHS declaration table can be found in the download area for the respective article under "Manufacturer declaration". For all articles with EFUP-E, no China RoHS declaration table issued and required.

EU REACH SVHC

REACH candidate substance (CAS No.)	Lead(CAS: 7439-92-1)
SCIP	7c2ea186-890c-44c2-ba72-8041b2de94ab

Phoenix Contact 2026 © - all rights reserved

<https://www.phoenixcontact.com>

Phoenix Contact USA
586 Fulling Mill Road
Middletown, PA 17057, United States
(+717) 944-1300
info@phoenixcon.com