

EEM-XM355 - Measuring device



1674509

<https://www.phoenixcontact.com/us/products/1674509>

Please be informed that the data shown in this PDF document is generated from our online catalog. Please find the complete data in the user documentation. Our general terms of use for downloads are valid.



3-phase energy meter with current transformer measurement 1 A/5 A AC, Modbus/RTU interface, 2 pulse outputs, 4 tariffs (via Modbus), operating temperature up to +70°C, certified in accordance with Measuring Instruments Directive (MID)

Product description

Energy meters for billing purposes enable cost-center-specific energy data billing. EMpro AC energy meters with MID approval record all important electrical parameters such as currents, voltages, power factors, power ratings, and energy values in all four quadrants. EMpro DC energy meters enable the direct measurement of currents and voltages up to 650 A/1000 V DC. The measurement data is provided via standard communication interfaces.

Your advantages

- Direct current measurement up to 100 A AC over the full temperature range of -40°C to +70°C
- Compliance with accuracy class C in accordance with EN 50470-3 and 0.5 in accordance with IEC 62053-21
- Easy, intuitive operation and reading via the backlit LCD display
- Simple bus and network connection via Modbus/RTU or Modbus/TCP interface
- Modbus registers based on EMpro multifunctional energy measuring devices

Commercial data

Item number	1674509
Packing unit	1 pc
Minimum order quantity	1 pc
Sales key	C446
Product key	CMMC11
GTIN	4067923223998
Weight per piece (including packing)	306.3 g
Weight per piece (excluding packing)	260 g
Customs tariff number	90283019
Country of origin	CN

Technical data

Product properties

Product type	Energy meter
Product family	EMpro
Number	4 (Tariffs)
Calibration validity period	8 Years
Meter type	Bidirectional meter (delivery and consumption) incl. 4-quadrant measurement

Insulation characteristics

Protection class	II
------------------	----

Insulation characteristics

Overvoltage category	III
Pollution degree	2

Display

Display type	LCD with white backlighting and maximum display range of 999999.99 kWh/kVArh
--------------	--

Electrical properties

Rated surge voltage	6 kV
Accuracy class	C (EN 50470-3) 0.5 (IEC 62053-21)
Mains type	1-phase (2-conductor) 3-phase (3-conductor) 3-phase (4-conductor)

Supply

Supply voltage range	100 V AC ... 277 V AC (external) 110 V DC ... 380 V DC (external)
----------------------	--

Electrical isolation

Measuring category	CAT III 300 V
--------------------	---------------

Input data

Measurement

Nominal voltage	3x 230 V AC (400 V AC)
Input voltage range	100 V AC ... 277 V AC (Phase/neutral conductor) 173 V AC ... 480 V AC (Phase/Phase) 100 V AC ... 9999 V AC (Primary (via external voltage transducers)) 100 V AC ... 500 V AC (Secondary (via external voltage transformers))
Input current range	1 A AC (Primary (via external current transformers))

EEM-XM355 - Measuring device



1674509

<https://www.phoenixcontact.com/us/products/1674509>

Power consumption	10 VA (2 W)
	0.05 VA (Current input per phase at 5 A)
	0.1 VA (Voltage input per phase)
Frequency range	$\pm 2\%$ (50/60 Hz reference frequency f_N)
Power factor (cos phi)	0.5 (inductive)
	0.8 (capacitive)
Startup current I_{st}	0.01 A
Minimum current I_{min}	0.05 A
Limiting current I_{max}	6 A
Transient current I_{tr}	0.25 A
Reference current I_{ref}	5 A
Secondary rated current I_{sn}	1 A AC (via external transformers)
	5 A AC (via external transformers)
Overload capacity	120 A (for 0,5 s)
Active energy (EN 50470-3)	Class C
Real energy (IEC 62053-21)	Class 0.5
Reactive power (IEC 62053-23)	Class 2
Scanning rate	14400 Hz

Output data

Pulse output

Output description	Passive opto-isolated
Maximum switching voltage	27 V DC
Max. switching current	27 mA
Pulse width Pulse output 1	configurable
Pulse width Pulse output 2	60 ms
Pulse LED	3200 imp/kWh (Metrological LED)
Meter constant Pulse output 1	configurable
Meter constant Pulse output 2	3200 imp/kWh

Connection data

Measurement connection

Designation	Measurement connection
-------------	------------------------

Conductor connection

Connection method	Screw connection
rigid	0.5 mm ² ... 2.5 mm ²
flexible	0.5 mm ² ... 2.5 mm ²
AWG	22 ... 12 (rigid/flexible)
Stripping length	15 mm
Tightening torque	2.5 Nm

other connections

Designation	other connections
-------------	-------------------

EEM-XM355 - Measuring device



1674509

<https://www.phoenixcontact.com/us/products/1674509>

Conductor connection

Connection method	Screw connection
rigid	0.5 mm ² ... 2.5 mm ²
flexible	0.5 mm ² ... 2.5 mm ²
AWG	30 ... 14 (rigid/flexible)
Stripping length	7 mm
Tightening torque	0.2 Nm

Interfaces

Communication:

Communication protocol	Modbus/RTU
Communication standard	RS-485
Connection method	Screw connection
Transmission speed range	2400 bps
	4800 bps
	9600 bps (preset)
	19200 bps
	38400 bps
Address area	1 ... 247 (adjustable)
Parity	odd, even, none
Stop bit	1 or 2
Data update rate	100 ms (Real power)
	1 s (Energy values)

Dimensions

Item dimensions

Width	72 mm
Height	94 mm
Depth	65 mm
Depth (NS 35/7,5)	59 mm (Snapped onto DIN rail NS 35/7,5 in accordance with EN 60715)
Horizontal pitch	4 Div.

Material specifications

Color (Upper housing part)	light gray (RAL 7035)
Color (Lower housing part)	gray (RAL 7042)
Flammability rating according to UL 94	V0

Environmental and real-life conditions

Ambient conditions

Degree of protection (Front)	IP51 (Front)
Degree of protection (Connections)	IP20 (Connections)
	-40 °C ... 70 °C

EEM-XM355 - Measuring device



1674509

<https://www.phoenixcontact.com/us/products/1674509>

Ambient temperature (operation)	-40 °F ... 158 °F (MID) 0 °C ... 55 °C (Display)
Ambient temperature (storage/transport)	-40 °C ... 70 °C
Altitude	≤ 2000 m
Permissible humidity (operation)	0 % ... 90 % (non-condensing)
Shock (storage/transport)	30g _n (300 m/s ²), 18 ms (IEC 60068-2-27)
Vibration (storage/transport)	10 Hz ... 150 Hz, 1g (EN 60068-2-6)
Mechanical environment	M1
EMC environment	E2

Approvals

CE

Certificate	CE-compliant
-------------	--------------

MID

Certificate	MID-compliant
-------------	---------------

EMC data

Noise immunity	EN 62052-11
Impulse withstand voltage	4 kV

Standards and regulations

Standards/regulations	EN 50470-1 EN 50470-3
-----------------------	--------------------------

Mounting

Mounting type	DIN rail mounting
Mounting position	Horizontal DIN rail

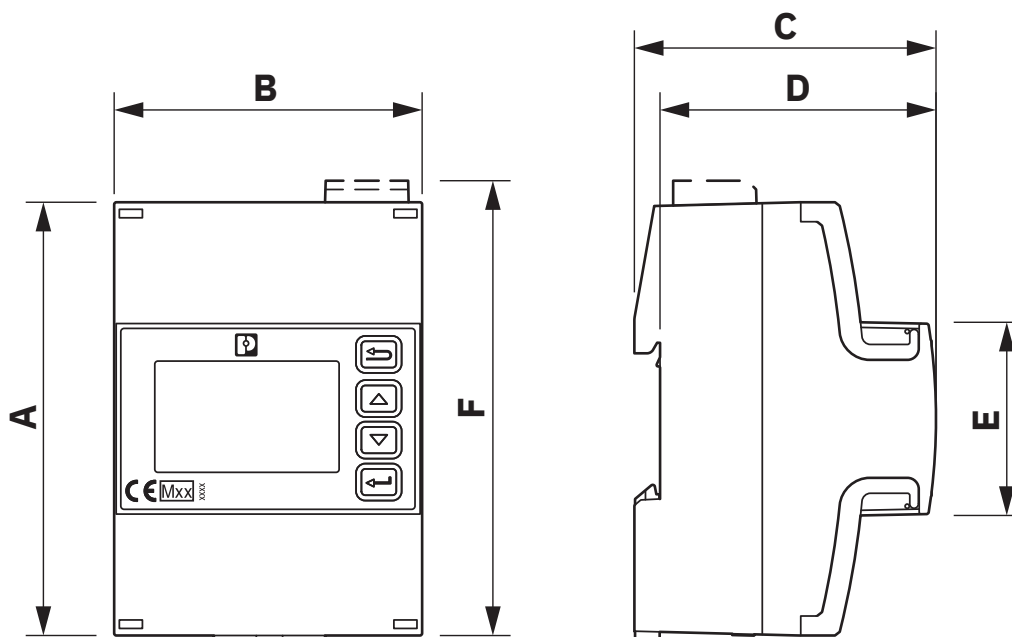
EEM-XM355 - Measuring device

1674509

<https://www.phoenixcontact.com/us/products/1674509>

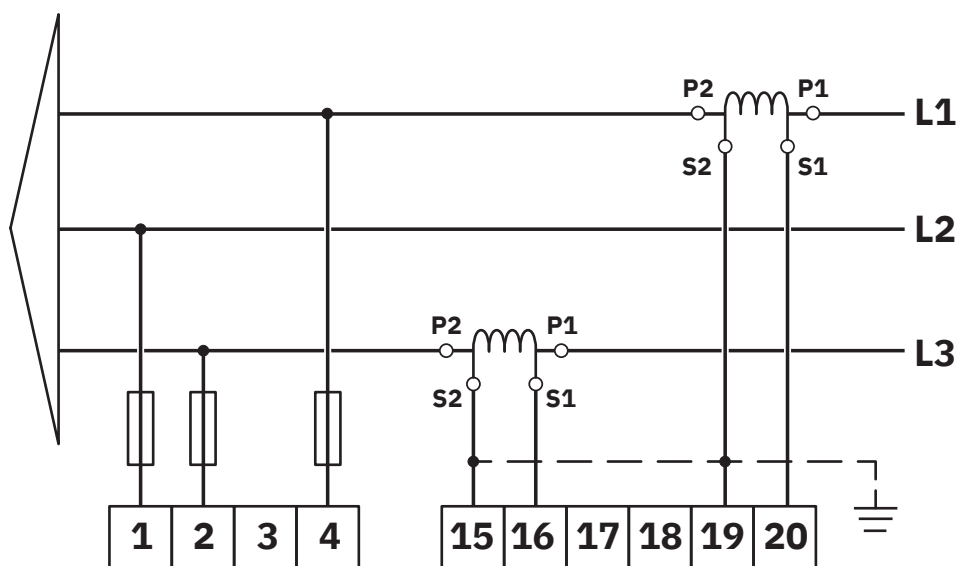
Drawings

Dimensional drawing



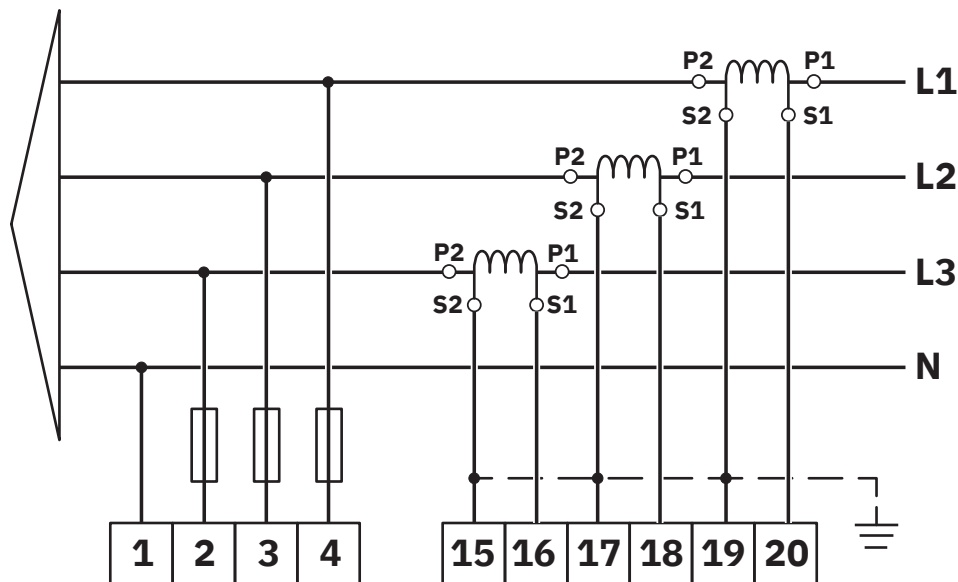
A = 94 mm; B = 72 mm; C = 65 mm; D = 59 mm; E = 45 mm

Connection diagram



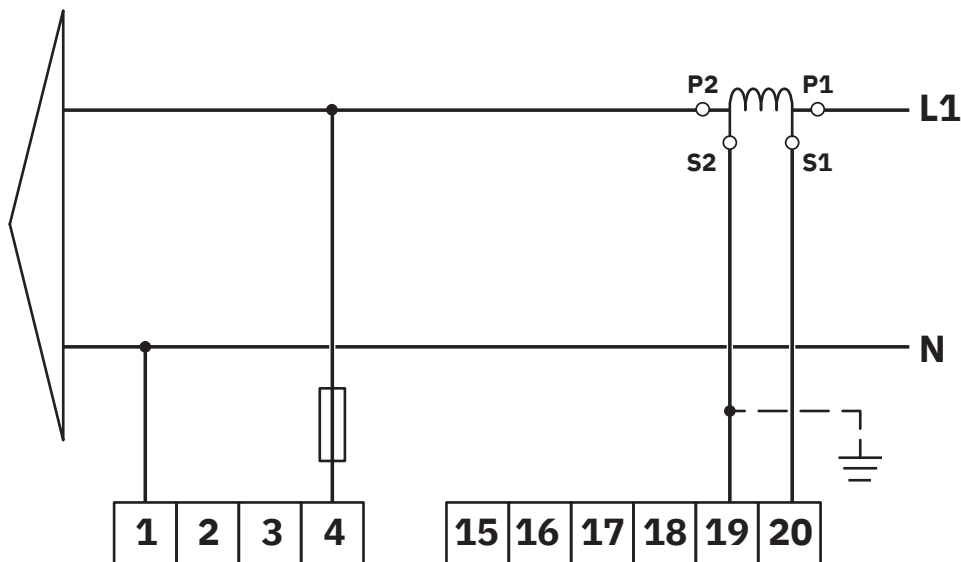
3P3W

Connection diagram



3P4W

Connection diagram



1P2W

EEM-XM355 - Measuring device



1674509

<https://www.phoenixcontact.com/us/products/1674509>

Approvals

To download certificates, visit the product detail page: <https://www.phoenixcontact.com/us/products/1674509>



cULus Listed

Approval ID: E552445-20260213

EEM-XM355 - Measuring device



1674509

<https://www.phoenixcontact.com/us/products/1674509>

Classifications

ECLASS

ECLASS-13.0	27142330
ECLASS-15.0	27142330

ETIM

ETIM 10.0	EC002301
-----------	----------

EEM-XM355 - Measuring device



1674509

<https://www.phoenixcontact.com/us/products/1674509>

Environmental product compliance

EU RoHS

Fulfills EU RoHS substance requirements	Yes, No exemptions
---	--------------------

China RoHS

Environment friendly use period (EFUP)	EFUP-E
	No hazardous substances above the limits

EU REACH SVHC

REACH candidate substance (CAS No.)	No substance above 0.1 wt%
-------------------------------------	----------------------------

Phoenix Contact 2026 © - all rights reserved
<https://www.phoenixcontact.com>

Phoenix Contact USA
586 Fulling Mill Road
Middletown, PA 17057, United States
(+717) 944-1300
info@phoenixcon.com