

Q 1,5/4FL/16-16KU-ESA - Panel feed-through



1670332

<https://www.phoenixcontact.com/us/products/1670332>

Please be informed that the data shown in this PDF document is generated from our online catalog. Please find the complete data in the user documentation. Our general terms of use for downloads are valid.



QUICKON panel feed-through, for external panel mounting with manual solder/slip-on plug-in connection, 4.8 x 0.8 mm, 4-pos.

Your advantages

- Robust throughout: housing with IP65/IP67 protection for a wide range of applications

Commercial data

Item number	1670332
Packing unit	1 pc
Note	Made to order (non-returnable)
Sales key	BF50
Product key	AF6HAB
GTIN	4017918146559
Weight per piece (including packing)	28.34 g
Weight per piece (excluding packing)	28.34 g
Customs tariff number	85366990
Country of origin	PL

Q 1,5/4FL/16-16KU-ESA - Panel feed-through

1670332

<https://www.phoenixcontact.com/us/products/1670332>

Technical data

Product properties

Product type	Panel feed-through
Number of positions	4
Position marking	1, 2, 3, 4
Number of connections	4
Number of connections per position	1
Shielded	no

Insulation characteristics

Overvoltage category	III
Degree of pollution	3

Connection data

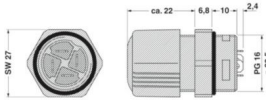
Connection technology

Connection method On the device side	Manual solder/slip on connection
Connection method On the field side	IDC connection
Frequency of connections between conductors of the same cross section	10 (if the conductor is connected more than once, seal and cap may need to be replaced.)

Conductor connection

Conductor cross-section flexibel	0.75 mm ² ... 1.5 mm ²
Conductor cross-section solid	0.75 mm ² ... 1 mm ²
Connection cross section AWG	18 ... 16
Tightening torque Union nut	3.3 Nm
Tightening torque Locking nut	5 Nm
Wrench size Union nut	27 mm
Wrench size Contact carrier	27 mm

Dimensions

Dimensional drawing	
Width	27 mm
Height	27 mm
Length	41.2 mm

Electrical properties

Q 1,5/4FL/16-16KU-ESA - Panel feed-through



1670332

<https://www.phoenixcontact.com/us/products/1670332>

Rated surge voltage (III/3)	6 kV
Contact resistance	< 3 mΩ
rated voltage (II/2)	630 V (with insulating sleeve)
rated voltage (III/2)	320 V (with insulating sleeve)
Rated voltage (III/3)	250 V (with insulating sleeve)
Nominal voltage U_N	250 V AC
	250 V DC
Nominal current I_N	17.5 A (15 A with slip-on sleeve 2.5 mm ² ; 12 A with slip-on sleeve 1.5 mm ² .)

Material specifications

Color (Housing)	green (RAL 6021)
Material Housing	PA
Flammability rating according to UL 94	V0
Material wire insulation	PVC / PE
Contact material	Copper alloy
Contact surface material	Pre-nickel plated and tin-plated
Contact carrier material	PA 6.6

Cable/line

Structure of individual litz in acc. with VDE 0295 / smallest wire diameter	VDE 0295 Cl.2-5, min. wire diameter 0.2 mm
Wire diameter including insulation	>= 3 mm
Position marking	1, 2, 3, 4

Mounting

Mounting type	Front mounting Pg16
Assembly note	If the conductor is reconnected, it must be cut off above the last contact point. QUICKON components may only be operated when under no load.

Environmental and real-life conditions

Ambient conditions

Degree of protection	IP65
	IP67
Impact strength	IK07
Ambient temperature (operation)	-25 °C ... 80 °C (specifications of the cable manufacturer must also be observed)
	-25 °C ... 50 °C
Temperature when conductor connected	-5 °C ... 50 °C (specifications of the cable manufacturer must also be observed)

Q 1,5/4FL/16-16KU-ESA - Panel feed-through

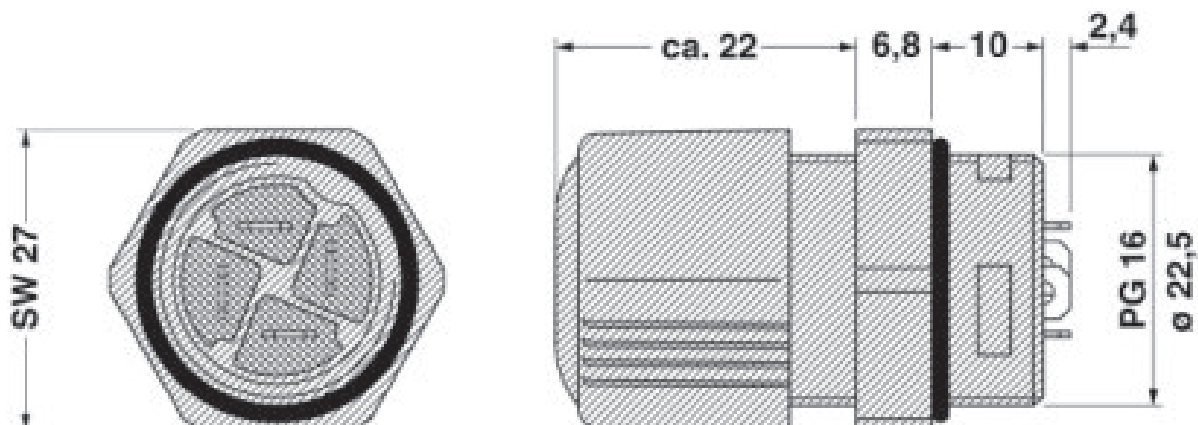
1670332

<https://www.phoenixcontact.com/us/products/1670332>



Drawings

Dimensional drawing



Q 1,5/4FL/16-16KU-ESA - Panel feed-through





1670332


<https://www.phoenixcontact.com/us/products/1670332>

Approvals

To download certificates, visit the product detail page: <https://www.phoenixcontact.com/us/products/1670332>

 cUL Recognized Approval ID: E118976				
	Nominal voltage U_N	Nominal current I_N	Cross section AWG	Cross section mm^2
keine				
	250 V	11 A	-	-

 UL Recognized Approval ID: E118976				
	Nominal voltage U_N	Nominal current I_N	Cross section AWG	Cross section mm^2
keine				
	250 V	15 A	-	-

 EAC Approval ID: RU C-DE.A*30.B.01102	
---	--

Q 1,5/4FL/16-16KU-ESA - Panel feed-through



1670332

<https://www.phoenixcontact.com/us/products/1670332>

Classifications

ECLASS

ECLASS-13.0	27440602
ECLASS-15.0	27440602

UNSPSC

UNSPSC 21.0	39121500
-------------	----------

Q 1,5/4FL/16-16KU-ESA - Panel feed-through



1670332

<https://www.phoenixcontact.com/us/products/1670332>

Environmental product compliance

EU RoHS

Fulfills EU RoHS substance requirements	Yes, No exemptions
---	--------------------

China RoHS

Environment friendly use period (EFUP)	EFUP-E
	No hazardous substances above the limits

EU REACH SVHC

REACH candidate substance (CAS No.)	No substance above 0.1 wt%
-------------------------------------	----------------------------

Phoenix Contact 2026 © - all rights reserved
<https://www.phoenixcontact.com>

Phoenix Contact USA
586 Fulling Mill Road
Middletown, PA 17057, United States
(+717) 944-1300
info@phoenixcon.com