

# SAC-3P-M12MR/1,5-PUR/B-1L-S - Sensor/actuator cable



1669372

<https://www.phoenixcontact.com/us/products/1669372>

Please be informed that the data shown in this PDF document is generated from our online catalog. Please find the complete data in the user documentation. Our general terms of use for downloads are valid.



Sensor/actuator cable, 3-position, PUR halogen-free, black-gray RAL 7021, Plug angled M12, coding: A, with 1 LED, on Valve connector B (10 mm), with 1 LED, Wiring: Z diode, cable length: 1.5 m

## Commercial data

Item number	1669372
Packing unit	1 pc
Note	Made to order (non-returnable)
Sales key	NULL
Product key	AF1DLA
GTIN	4017918134464
Weight per piece (including packing)	115.9 g
Weight per piece (excluding packing)	115.9 g
Customs tariff number	85444290
Country of origin	DE

# SAC-3P-M12MR/1,5-PUR/B-1L-S - Sensor/actuator cable



1669372

<https://www.phoenixcontact.com/us/products/1669372>

## Technical data

### Product properties

Number of positions	3
No. of cable outlets	1
Shielded	no
Coding	A

### Insulation characteristics

Overvoltage category	II
Degree of pollution	3

### Material specifications

Flammability rating according to UL 94	HB
Seal material	TPU
Material housing valve plug	PBT
Material of grip body	TPU, hardly inflammable, self-extinguishing
Contact material	CuSn
Contact surface material	Ni/Au
Contact carrier material	TPU GF
Contact material	CuSn
Valve plug contact insert material	PBT
Contact surface material	Ag

### Electrical properties

Insulation resistance	$\geq 100 \text{ M}\Omega$
Nominal voltage $U_N$	24 V
Nominal current $I_N$	4 A

### Mechanical properties

#### Mechanical data

Insertion/withdrawal cycles	$\geq 100$
-----------------------------	------------

### Signaling

Status display	1 LED
Status display present	yes

### Connector

#### Connection 1

Type	Plug angled M12
Number of positions	3
Coding type	A

#### Connection 2

# SAC-3P-M12MR/1,5-PUR/B-1L-S - Sensor/actuator cable

1669372

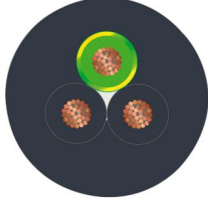
<https://www.phoenixcontact.com/us/products/1669372>

Type	Valve connector B (10 mm)
Number of positions	3
Material	CuSn (Contact)
	Ag (Contact surface)
	PBT (Contact carrier)
	PBT (Housing)
Protective circuit	Z diode

## Cable/line

Cable length	1.5 m
--------------	-------

### PUR halogen-free black [PUR]

Dimensional drawing	
Cable weight	30 kg/km
UL AWM Style	20549
Number of positions	3
Shielded	no
Cable type	PUR halogen-free black [PUR]
Conductor structure signal line	28x 0.15 mm
AWG signal line	20
Conductor cross-section	3x 0.5 mm <sup>2</sup>
Wire diameter incl. insulation	1.5 mm ±0.05 mm (Signal line)
External cable diameter	4.50 mm ±0.2 mm
Outer sheath, material	PUR
External sheath, color	black-gray RAL 7021
Conductor material	Bare Cu litz wires
Material wire insulation	PP
Single wire, color	black 1, black 2, green/yellow
Overall twist	3 wires, twisted
Max. conductor resistance	39 Ω/km (at 20 °C)
Insulation resistance	min. 20 MΩ*km
Nominal voltage, cable	≤ 300 V
Test voltage	≥ 1200 V
Minimum bending radius, fixed installation	5 x D
Minimum bending radius, flexible installation	10 x D
Smallest bending radius, fixed installation	22.5 mm
Smallest bending radius, movable installation	45 mm

# SAC-3P-M12MR/1,5-PUR/B-1L-S - Sensor/actuator cable



1669372

<https://www.phoenixcontact.com/us/products/1669372>

Dynamic load capacity (bending)	Max. bending cycles: 15000000, Bending radius: 50 mm, Traversing path: 0.9 m, Traversing rate: 5 m/s, Acceleration: 30 m/s <sup>2</sup>
Halogen-free	in accordance with DIN VDE 0472 part 815
Flame resistance	according to DIN VDE 0482 According to DIN EN 50265-2-1
Resistance to oil	in accordance with DIN EN 60811-2-1
Other resistance	largely oil-resistant partly UV-resistant (in accordance with DIN EN ISO 4892-2-A)
Ambient temperature (operation)	-40 °C ... 80 °C (cable, fixed installation) -20 °C ... 80 °C (Cable, flexible installation)

## Environmental and real-life conditions

### Ambient conditions

Degree of protection	IP67
Ambient temperature (operation) (male connector/female connector)	-25 °C ... 90 °C (Plug / socket)
Ambient temperature (operation) (Valve connector)	-20 °C ... 80 °C (Valve connector)
Ambient temperature (operation) (Cable, fixed installation)	-30 °C ... 70 °C (cable, fixed installation)
Ambient temperature (operation) (Cable, flexible installation)	-5 °C ... 70 °C (Cable, flexible installation)

# SAC-3P-M12MR/1,5-PUR/B-1L-S - Sensor/actuator cable

1669372

<https://www.phoenixcontact.com/us/products/1669372>

## Drawings

Dimensional drawing



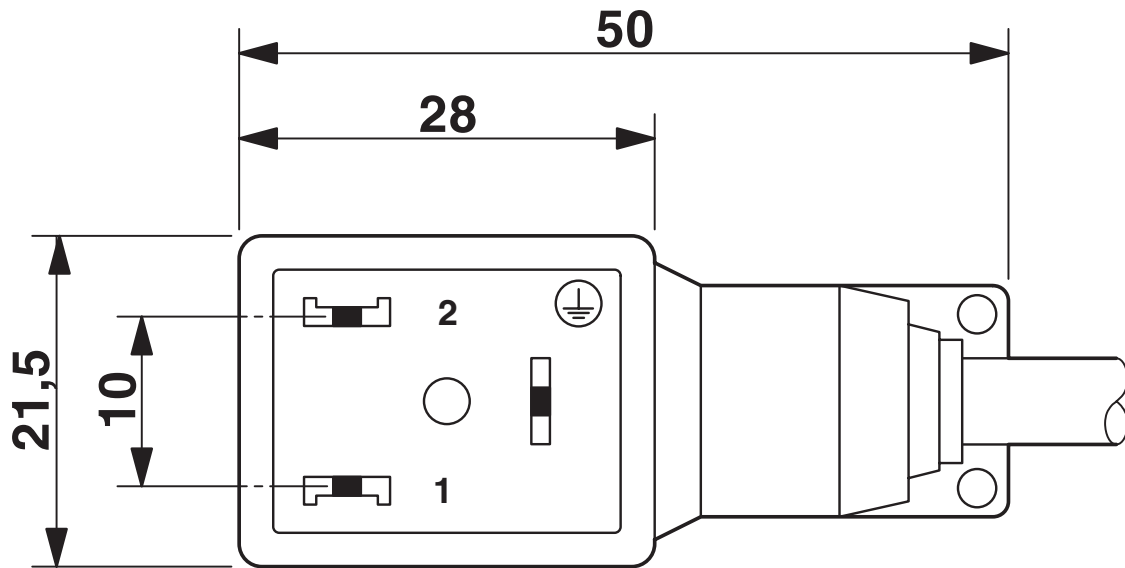
M12 x 1 male plug, angled

# SAC-3P-M12MR/1,5-PUR/B-1L-S - Sensor/actuator cable

1669372

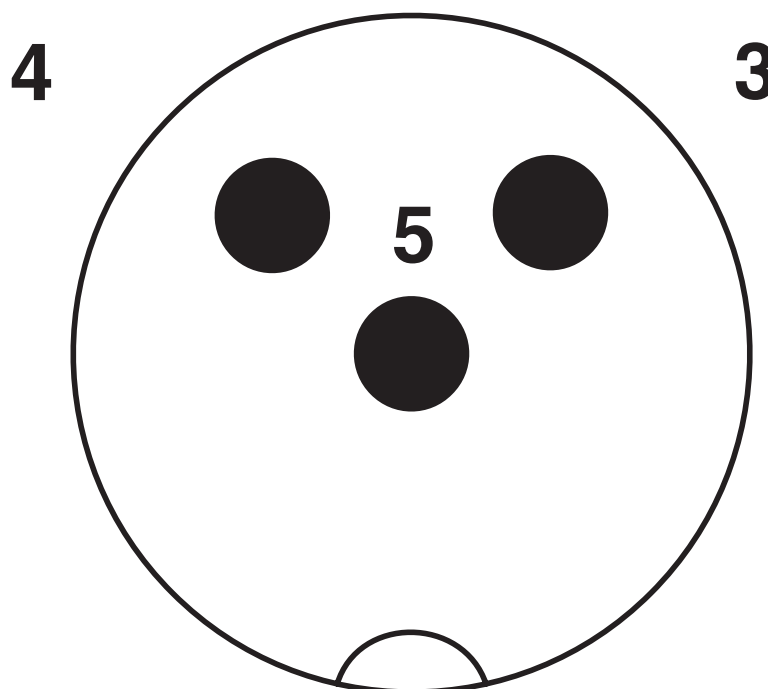
<https://www.phoenixcontact.com/us/products/1669372>

Dimensional drawing



Valve connector, type B

Schematic diagram



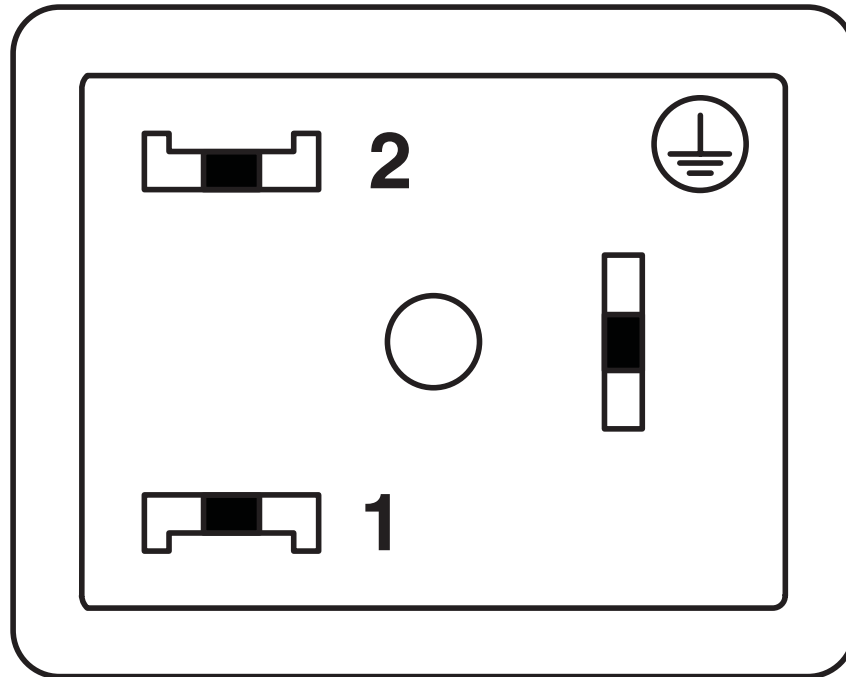
Pin assignment M12 plug, 3-pos., valve connector

# SAC-3P-M12MR/1,5-PUR/B-1L-S - Sensor/actuator cable

1669372

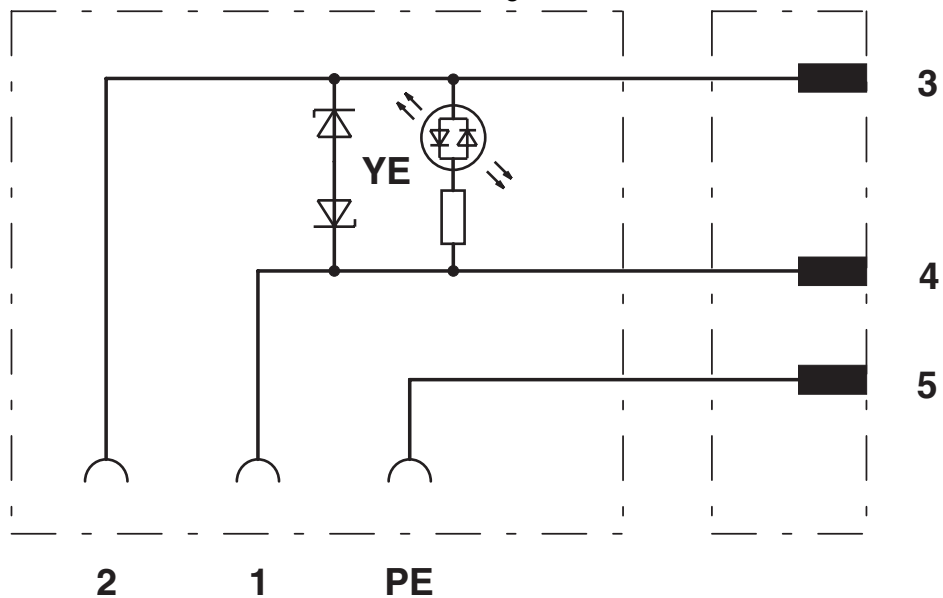
<https://www.phoenixcontact.com/us/products/1669372>

Schematic diagram



Valve connector pin assignment, type B

Circuit diagram



Contact assignment of M12 plug and valve connector

# SAC-3P-M12MR/1,5-PUR/B-1L-S - Sensor/actuator cable



1669372

<https://www.phoenixcontact.com/us/products/1669372>

## Classifications

### ECLASS

ECLASS-13.0	27060312
ECLASS-15.0	27060312

# SAC-3P-M12MR/1,5-PUR/B-1L-S - Sensor/actuator cable



1669372

<https://www.phoenixcontact.com/us/products/1669372>

## Environmental product compliance

### China RoHS

Environment friendly use period (EFUP)	EFUP-50
	An article-related China RoHS declaration table can be found in the download area for the respective article under "Manufacturer declaration". For all articles with EFUP-E, no China RoHS declaration table issued and required.

### EU REACH SVHC

REACH candidate substance (CAS No.)	No substance above 0.1 wt%
-------------------------------------	----------------------------

Phoenix Contact 2026 © - all rights reserved  
<https://www.phoenixcontact.com>

Phoenix Contact USA  
586 Fulling Mill Road  
Middletown, PA 17057, United States  
(+717) 944-1300  
[info@phoenixcon.com](mailto:info@phoenixcon.com)