

HC-M-12-MOD-BU - Contact insert module



1663323

<https://www.phoenixcontact.com/us/products/1663323>

Please be informed that the data shown in this PDF document is generated from our online catalog. Please find the complete data in the user documentation. Our general terms of use for downloads are valid.



HEAVYCON contact insert module, female, 12-pos., crimp connection

Commercial data

| | |
|--------------------------------------|--------------------------------|
| Item number | 1663323 |
| Packing unit | 1 pc |
| Note | Made to order (non-returnable) |
| Sales key | BF62 |
| Product key | AF7ACB |
| GTIN | 4017918123130 |
| Weight per piece (including packing) | 11.4 g |
| Weight per piece (excluding packing) | 10.1 g |
| Customs tariff number | 85366990 |
| Country of origin | DE |

HC-M-12-MOD-BU - Contact insert module



1663323

<https://www.phoenixcontact.com/us/products/1663323>

Technical data

Mounting

| | |
|---------------|--------------------------------------------------------------------------------------------------------------|
| Assembly note | Housing height \geq 52 mm. Plug-in connections may only be operated only when there is no load/voltage. |
|---------------|--------------------------------------------------------------------------------------------------------------|

Product properties

| | |
|------------------------|------------------------|
| Product type | Modular contact insert |
| Series | HC-M-12 |
| Application | Signal |
| Number of positions | 12 |
| Connection profile | 12 |
| Contact numbering | 1 - 12 |
| Number of module slots | 1 |
| Contact material type | turned |

Insulation characteristics

| | |
|----------------------|-----|
| Overvoltage category | III |
| Degree of pollution | 3 |

Connection data

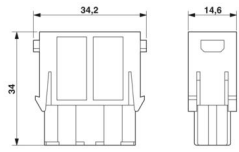
Connection technology

| | |
|-----------------------|------------------|
| Connection technology | Crimp connection |
|-----------------------|------------------|

Conductor connection

| | |
|-----------------------------------------|----------------------------------------------|
| Conductor cross-section | 0.14 mm ² ... 2.5 mm ² |
| Connection cross section AWG | 26 ... 14 |
| Stripping length of the individual wire | 8 mm (6 mm with 2.5 mm ²) |

Dimensions

| | |
|---------------------|--------------------------------------------------------------------------------------|
| Dimensional drawing |  |
| Width | 34.2 mm |
| Height | 34 mm |
| Length | 14.6 mm |

Mechanical characteristics

| | |
|------------------------|--------|
| Minimum housing height | 52 mm |
| Contact diameter | 1.6 mm |

Electrical properties

HC-M-12-MOD-BU - Contact insert module



1663323

<https://www.phoenixcontact.com/us/products/1663323>

| | |
|-----------------------|-------|
| Rated voltage (III/3) | 250 V |
| Rated surge voltage | 3 kV |
| Rated current | 10 A |

Mechanical properties

Mechanical data

| | |
|-----------------------------|-------|
| Insertion/withdrawal cycles | ≥ 500 |
|-----------------------------|-------|

Material specifications

| | |
|----------------------------------------|-----------------------|
| Flammability rating according to UL 94 | V0 |
| Contact material | Copper alloy |
| Contact surface material | Ag (alternatively Au) |
| Contact carrier material | PC |

Environmental and real-life conditions

Ambient conditions

| | |
|---------------------------------|------------------------------------------------------|
| Ambient temperature (operation) | -40 °C ... 125 °C (including heating up of contacts) |
|---------------------------------|------------------------------------------------------|

HC-M-12-MOD-BU - Contact insert module

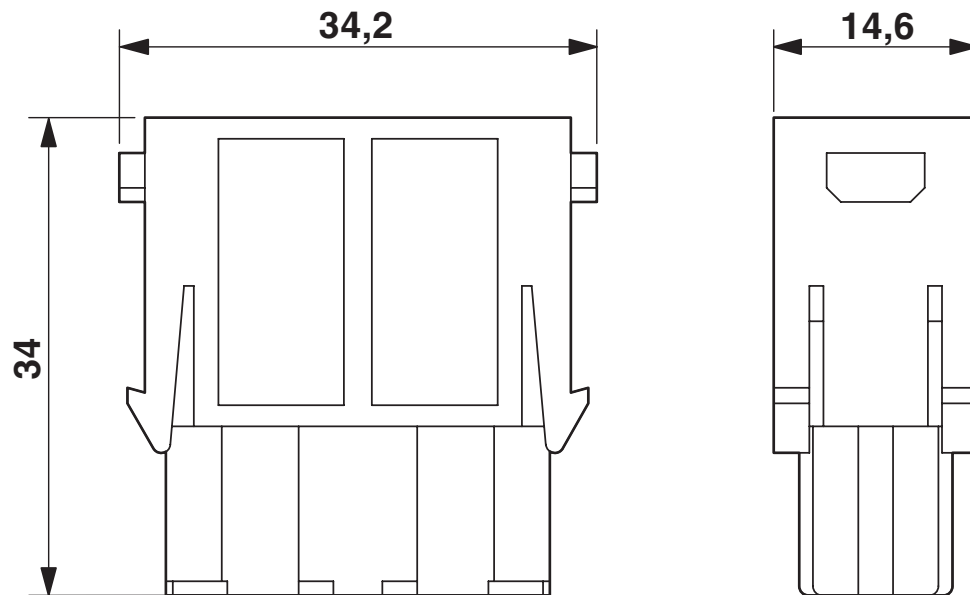


1663323

<https://www.phoenixcontact.com/us/products/1663323>

Drawings

Dimensional drawing



Female insert

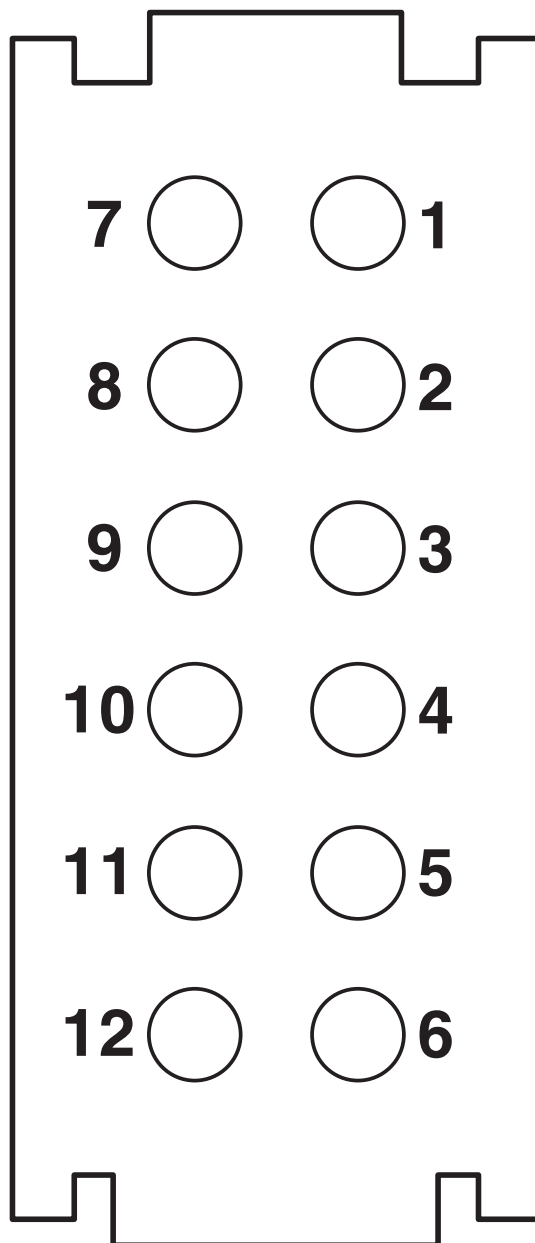
HC-M-12-MOD-BU - Contact insert module

1663323

<https://www.phoenixcontact.com/us/products/1663323>



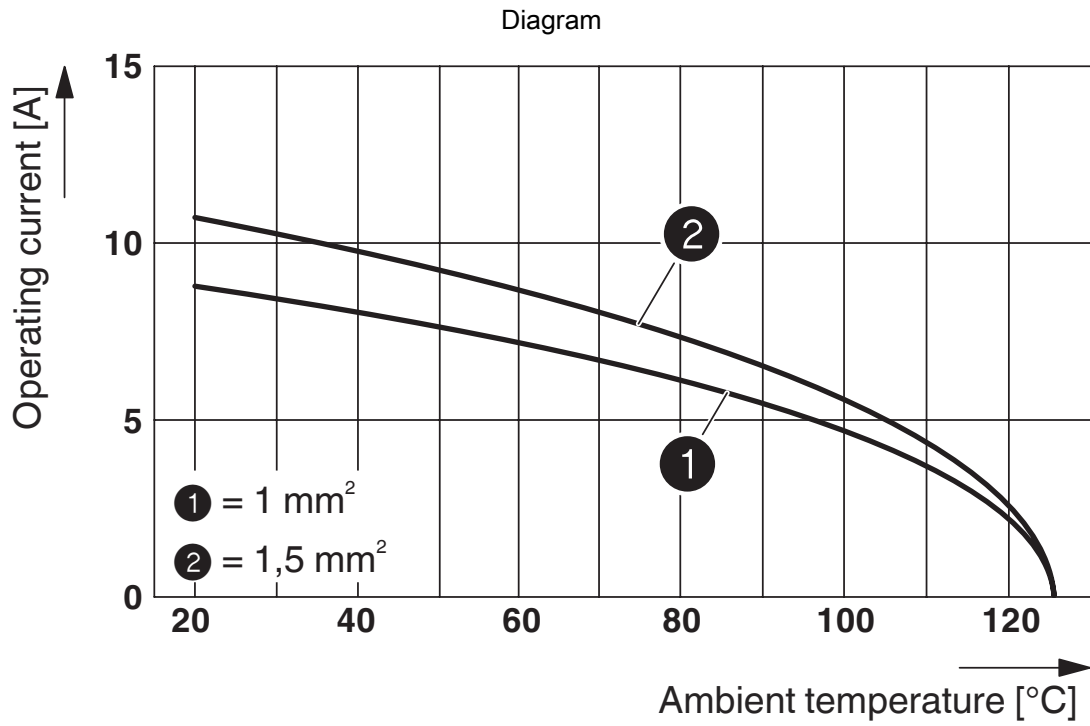
Schematic diagram



Connector pin assignment, connection side

1663323

<https://www.phoenixcontact.com/us/products/1663323>



Derating diagram (6 modules in HC-B 24 housing)

HC-M-12-MOD-BU - Contact insert module



1663323

<https://www.phoenixcontact.com/us/products/1663323>

Environmental product compliance

China RoHS

| | |
|----------------------------------------|------------------------------------------|
| Environment friendly use period (EFUP) | EFUP-E |
| | No hazardous substances above the limits |

EU REACH SVHC

| | |
|-------------------------------------|----------------------------|
| REACH candidate substance (CAS No.) | No substance above 0.1 wt% |
|-------------------------------------|----------------------------|

Phoenix Contact 2026 © - all rights reserved
<https://www.phoenixcontact.com>

Phoenix Contact USA
586 Fulling Mill Road
Middletown, PA 17057, United States
(+717) 944-1300
info@phoenixcon.com