

HC-M-03-MOD-BU - Contact insert module



1663226

<https://www.phoenixcontact.com/us/products/1663226>

Please be informed that the data shown in this PDF document is generated from our online catalog. Please find the complete data in the user documentation. Our general terms of use for downloads are valid.

HEAVYCON contact insert module, female, 3-pos., crimp connection



Commercial data

Item number	1663226
Packing unit	1 pc
Note	Made to order (non-returnable)
Sales key	BF62
Product key	AF7ACB
GTIN	4017918123031
Weight per piece (including packing)	13.15 g
Weight per piece (excluding packing)	13.15 g
Customs tariff number	85366990
Country of origin	DE

HC-M-03-MOD-BU - Contact insert module



1663226

<https://www.phoenixcontact.com/us/products/1663226>

Technical data

Product properties

Application	Power
Number of positions	3
Number of module slots	1

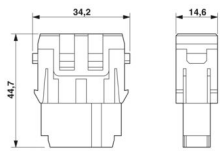
Insulation characteristics

Overvoltage category	III
Degree of pollution	3

Electrical properties

Rated voltage (III/3)	400 V
Rated surge voltage	6 kV
Rated current	40 A

Dimensions

Dimensional drawing	
Width	34.2 mm
Height	40.7 mm
Length	14.6 mm

Material specifications

Flammability rating according to UL 94	V0
Contact material	Copper alloy
Contact surface material	Ag
Contact carrier material	PC

Cable/line

Stripping length of the individual wire	9 mm (9.6 mm (for 4.0 mm ² ... 6.0 mm ²))
---	--

Mechanical properties

Mechanical data

Insertion/withdrawal cycles	≥ 500
-----------------------------	-------

Environmental and real-life conditions

Ambient conditions

Ambient temperature (operation)	-40 °C ... 125 °C
---------------------------------	-------------------

HC-M-03-MOD-BU - Contact insert module



1663226

<https://www.phoenixcontact.com/us/products/1663226>

Mounting

Assembly note

Housing height \geq 52 mm.
Plug-in connections may only be operated only when there is no load/voltage.

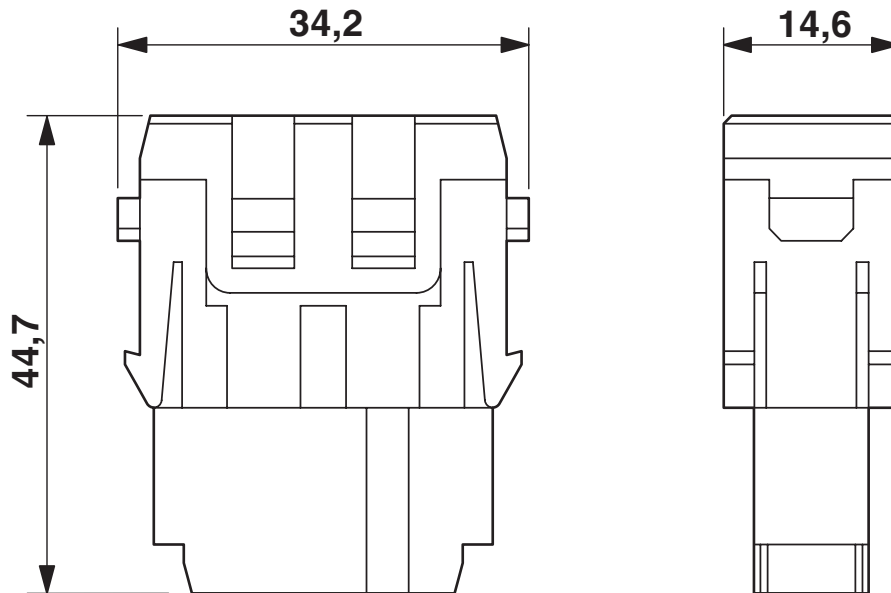
HC-M-03-MOD-BU - Contact insert module

1663226

<https://www.phoenixcontact.com/us/products/1663226>

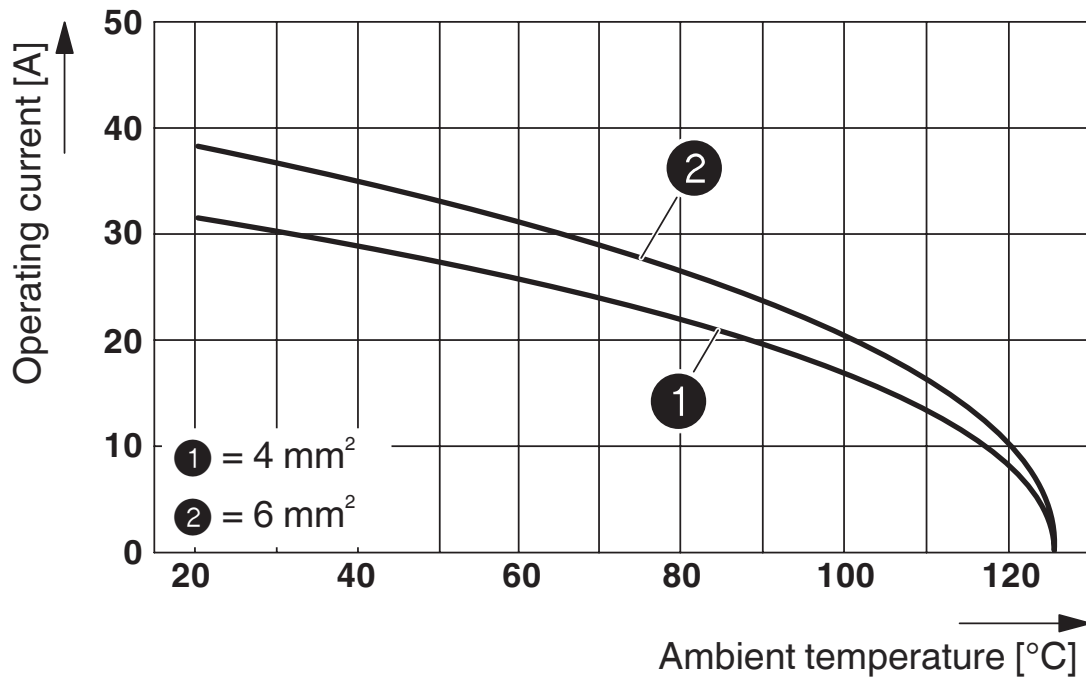
Drawings

Dimensional drawing



Female insert

Diagram



Derating diagram (6 modules in HC-B 24 housing)

HC-M-03-MOD-BU - Contact insert module



1663226

<https://www.phoenixcontact.com/us/products/1663226>

Environmental product compliance

China RoHS

Environment friendly use period (EFUP)	EFUP-E
	No hazardous substances above the limits

EU REACH SVHC

REACH candidate substance (CAS No.)	No substance above 0.1 wt%
-------------------------------------	----------------------------

Phoenix Contact 2026 © - all rights reserved
<https://www.phoenixcontact.com>

Phoenix Contact USA
586 Fulling Mill Road
Middletown, PA 17057, United States
(+717) 944-1300
info@phoenixcon.com