

CK2,5-EWZ - Contact removal tool



1662722

<https://www.phoenixcontact.com/us/products/1662722>

Please be informed that the data shown in this PDF document is generated from our online catalog. Please find the complete data in the user documentation. Our general terms of use for downloads are valid.



Contact removal tool, for turned CK 2,5... contacts

Commercial data

Item number	1662722
Packing unit	1 pc
Note	Made to order (non-returnable)
Sales key	BH31
Product key	BH3171
GTIN	4017918128876
Weight per piece (including packing)	33.8 g
Weight per piece (excluding packing)	33.8 g
Customs tariff number	82055980
Country of origin	DE

CK2,5-EWZ - Contact removal tool



1662722

<https://www.phoenixcontact.com/us/products/1662722>

Technical data

Notes

Environmental Product Compliance

California Proposition 65

Further information on California's prop. 65 is available under "Downloads" in the manufacturer's declaration

Product properties

Product type

Assembly tool

Mounting

Assembly note

The unlocking tool must be introduced in the connection side of the contact insert in the crimp chamber to unlock the crimp contact.

CK2,5-EWZ - Contact removal tool

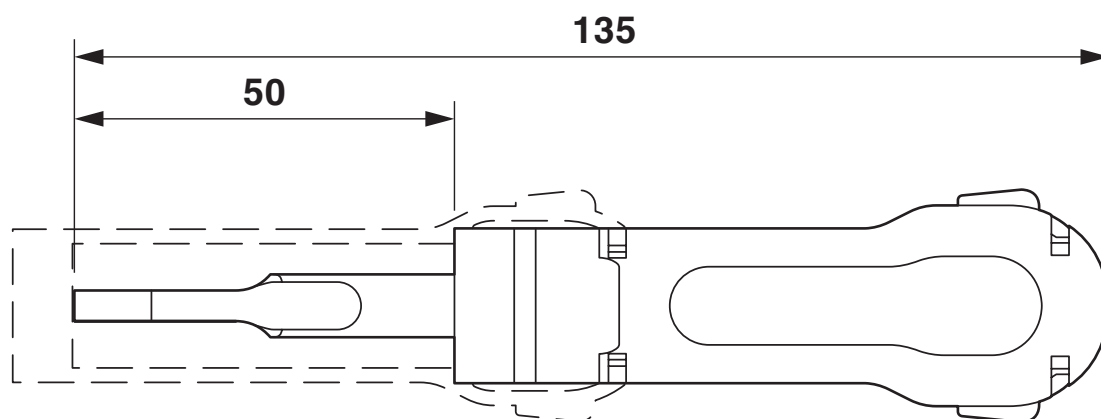


1662722

<https://www.phoenixcontact.com/us/products/1662722>

Drawings

Dimensional drawing



Dimensional drawing

CK2,5-EWZ - Contact removal tool



1662722

<https://www.phoenixcontact.com/us/products/1662722>

Approvals

🔗 To download certificates, visit the product detail page: <https://www.phoenixcontact.com/us/products/1662722>



EAC

Approval ID: RU C-DE.AI30.B.01102

CK2,5-EWZ - Contact removal tool



1662722

<https://www.phoenixcontact.com/us/products/1662722>

Environmental product compliance

EU RoHS

Fulfills EU RoHS substance requirements	Yes, No exemptions
---	--------------------

China RoHS

Environment friendly use period (EFUP)	EFUP-E
	No hazardous substances above the limits

EU REACH SVHC

REACH candidate substance (CAS No.)	No substance above 0.1 wt%
-------------------------------------	----------------------------

Phoenix Contact 2026 © - all rights reserved
<https://www.phoenixcontact.com>

Phoenix Contact USA
586 Fulling Mill Road
Middletown, PA 17057, United States
(+717) 944-1300
info@phoenixcon.com