

HC-B 24-ADP-3RST-GY - Adapter plate



1662175

<https://www.phoenixcontact.com/us/products/1662175>

Please be informed that the data shown in this PDF document is generated from our online catalog. Please find the complete data in the user documentation. Our general terms of use for downloads are valid.



Adapter plates with a reinforced wall, three openings for an M23 circular connector; type B24 on an M23 circular connector; for panel cutouts of type B24; gray

Commercial data

Item number	1662175
Packing unit	10 pc
Minimum order quantity	1 pc
Sales key	BF66
Product key	AF7AZD
GTIN	4017918100087
Weight per piece (including packing)	37.9 g
Weight per piece (excluding packing)	37.34 g
Customs tariff number	39269097
Country of origin	DE

HC-B 24-ADP-3RST-GY - Adapter plate

1662175

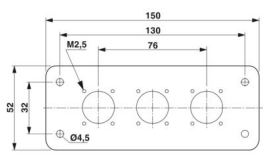
<https://www.phoenixcontact.com/us/products/1662175>

Technical data

Product properties

Product type	Adapter plate
Type	B24
Seal present	yes

Dimensions

Dimensional drawing	
Width	52 mm
Height	7 mm
Length	150 mm
Drill hole distance, horizontal	130 mm
Drill hole distance, vertical	32 mm
Hole diameter	4.5 mm

Internal dimensions

Internal cutout dimension	3 x 21 mm
---------------------------	-----------

Installation dimensions

Width of the assembly cutout	36 mm
Length of the assembly cutout	113 mm

Material specifications

Material	PA
Flammability rating according to UL 94	HB
Seal material	PTS

Environmental and real-life conditions

Ambient conditions

Degree of protection	IP54
Ambient temperature (operation)	-20 °C ... 100 °C

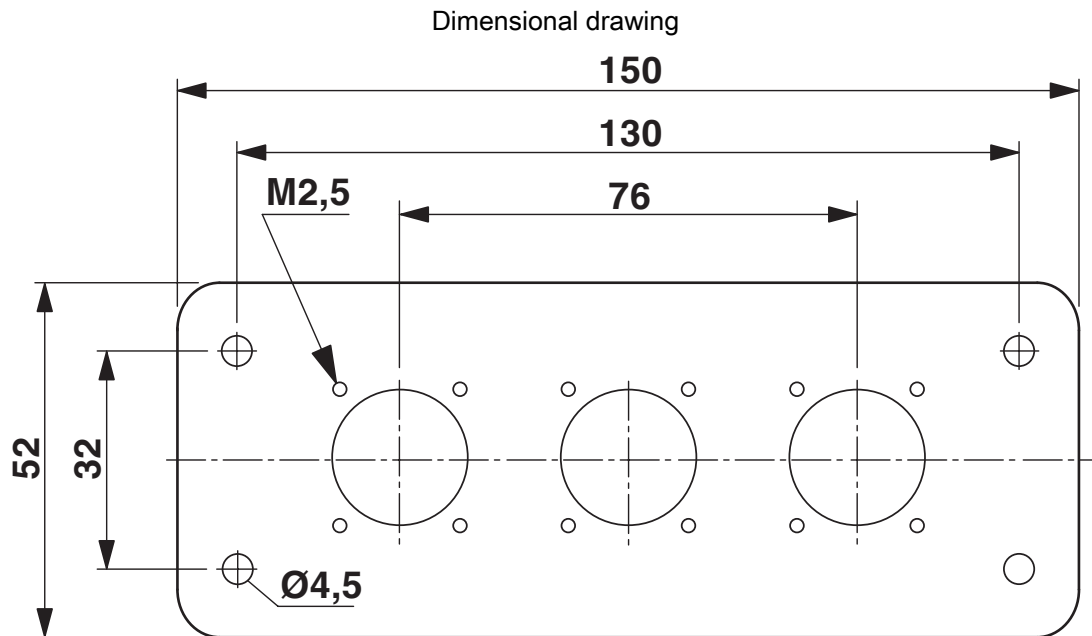
HC-B 24-ADP-3RST-GY - Adapter plate



1662175

<https://www.phoenixcontact.com/us/products/1662175>

Drawings



HC-B 24-ADP-3RST-GY - Adapter plate



1662175

<https://www.phoenixcontact.com/us/products/1662175>

Classifications

ECLASS

ECLASS-13.0	27440201
ECLASS-15.0	27440201

ETIM

ETIM 10.0	EC002309
-----------	----------

UNSPSC

UNSPSC 21.0	31261500
-------------	----------

HC-B 24-ADP-3RST-GY - Adapter plate



1662175

<https://www.phoenixcontact.com/us/products/1662175>

Environmental product compliance

EU RoHS

Fulfills EU RoHS substance requirements	Yes, No exemptions
---	--------------------

China RoHS

Environment friendly use period (EFUP)	EFUP-E
	No hazardous substances above the limits

EU REACH SVHC

REACH candidate substance (CAS No.)	No substance above 0.1 wt%
-------------------------------------	----------------------------

Phoenix Contact 2026 © - all rights reserved
<https://www.phoenixcontact.com>

Phoenix Contact USA
586 Fulling Mill Road
Middletown, PA 17057, United States
(+717) 944-1300
info@phoenixcon.com