

# HC-D 15-ADP/1 DSUB 25 (VE 250) - Adapter plate



1660740

<https://www.phoenixcontact.com/us/products/1660740>

Please be informed that the data shown in this PDF document is generated from our online catalog. Please find the complete data in the user documentation. Our general terms of use for downloads are valid.



D-SUB adapter plate, for one D-SUB connector, no. of positions 25, housing series HC-D 15...

## Product description

Adapter plate, incl. mounting screws

## Commercial data

Item number	1660740
Packing unit	250 pc
Minimum order quantity	1 pc
Product key	AF7AZD
GTIN	4017918256647
Weight per piece (including packing)	7.9 g
Weight per piece (excluding packing)	7.9 g
Country of origin	DE

# HC-D 15-ADP/1 DSUB 25 (VE 250) - Adapter plate



1660740

<https://www.phoenixcontact.com/us/products/1660740>

## Technical data

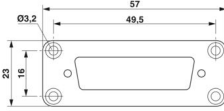
### Notes

General	For HEAVYCON housing of type D15
---------	----------------------------------

### Product properties

Product type	Adapter plate
Type	D15
Number of positions	25

### Dimensions

Dimensional drawing	
Width	23 mm
Height	7 mm
Length	57 mm

### Material specifications

Color	gray
Material	PA
Flammability rating according to UL 94	HB

### Environmental and real-life conditions

#### Ambient conditions

Ambient temperature (operation)	-20 °C ... 100 °C
---------------------------------	-------------------

### Mounting

Assembly note	With mounting screws: 1) Phillips self-tapping screw 2.9 x 6.2/2) M3 x 10 DIN 84  Mounting position of the adapter plate in the sleeve housing: <b>T</b> is visible after mounting in the housing. Mounting position of the adapter plate in the panel mounting base/socket housing/coupling housing: <b>A</b> is visible after mounting in the housing. Mounting position of the D-SUB (after mounting in the housing): in front of the mounting panel (front mounting)
---------------	--------------------------------------------------------------------------------------------------------------------------------------------------------------------------------------------------------------------------------------------------------------------------------------------------------------------------------------------------------------------------------------------------------------------------------------------------------------------------------

# HC-D 15-ADP/1 DSUB 25 (VE 250) - Adapter plate

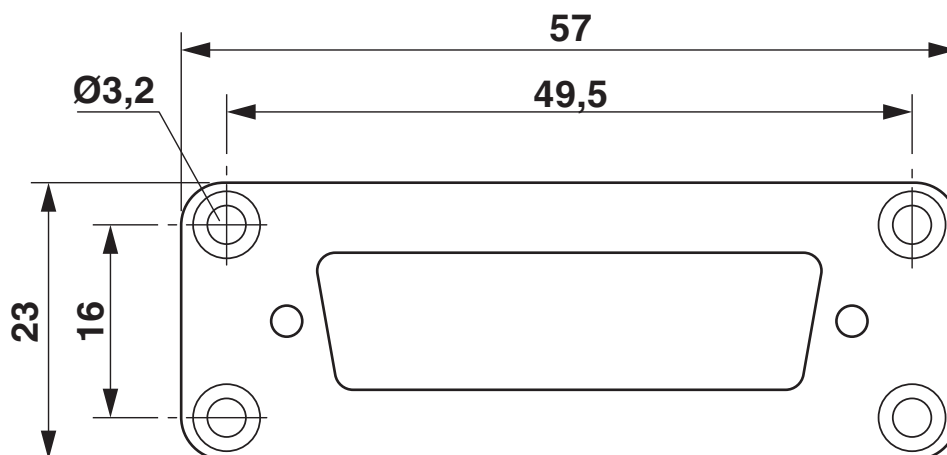


1660740

<https://www.phoenixcontact.com/us/products/1660740>

## Drawings

Dimensional drawing



See assembly instruction

# HC-D 15-ADP/1 DSUB 25 (VE 250) - Adapter plate



1660740

<https://www.phoenixcontact.com/us/products/1660740>

## Classifications

### ECLASS

ECLASS-13.0	27440201
ECLASS-15.0	27440201

### UNSPSC

UNSPSC 21.0	39121421
-------------	----------

# HC-D 15-ADP/1 DSUB 25 (VE 250) - Adapter plate



1660740

<https://www.phoenixcontact.com/us/products/1660740>

## Environmental product compliance

### EU RoHS

Fulfills EU RoHS substance requirements	Yes, No exemptions
-----------------------------------------	--------------------

### China RoHS

Environment friendly use period (EFUP)	EFUP-E
	No hazardous substances above the limits

### EU REACH SVHC

REACH candidate substance (CAS No.)	No substance above 0.1 wt%
-------------------------------------	----------------------------

Phoenix Contact 2026 © - all rights reserved  
<https://www.phoenixcontact.com>

Phoenix Contact USA  
586 Fulling Mill Road  
Middletown, PA 17057, United States  
(+717) 944-1300  
[info@phoenixcon.com](mailto:info@phoenixcon.com)