

HC-D 15-ADP/1 DSUB 15 (VE 250) - Adapter plate



1660737

<https://www.phoenixcontact.com/us/products/1660737>

Please be informed that the data shown in this PDF document is generated from our online catalog. Please find the complete data in the user documentation. Our general terms of use for downloads are valid.



D-SUB adapter plate, for one D-SUB connector, no. of positions 15, housing series HC-D 15...

Product description

Adapter plate, incl. mounting screws

Commercial data

Item number	1660737
Packing unit	250 pc
Minimum order quantity	1 pc
Product key	AF7AZD
GTIN	4017918246839
Weight per piece (including packing)	8.98 g
Weight per piece (excluding packing)	8.98 g
Country of origin	DE

HC-D 15-ADP/1 DSUB 15 (VE 250) - Adapter plate



1660737

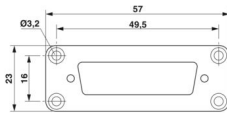
<https://www.phoenixcontact.com/us/products/1660737>

Technical data

Product properties

Product type	Adapter plate
Type	D15
Number of positions	15

Dimensions

Dimensional drawing	
Width	23 mm
Height	7 mm
Length	57 mm

Material specifications

Color	gray
Material	PA
Flammability rating according to UL 94	HB

Environmental and real-life conditions

Ambient conditions

Ambient temperature (operation)	-20 °C ... 100 °C
---------------------------------	-------------------

Mounting

Assembly note	<p>With mounting screws: 1) Phillips self-tapping screw 2.9 x 6.2/2) M3 x 10 DIN 84</p> <p>Mounting position of the adapter plate in the sleeve housing: T is visible after mounting in the housing. Mounting position of the adapter plate in the panel mounting base/socket housing/coupling housing: A is visible after mounting in the housing. Mounting position of the D-SUB (after mounting in the housing): in front of the mounting panel (front mounting)</p>
---------------	---

HC-D 15-ADP/1 DSUB 15 (VE 250) - Adapter plate

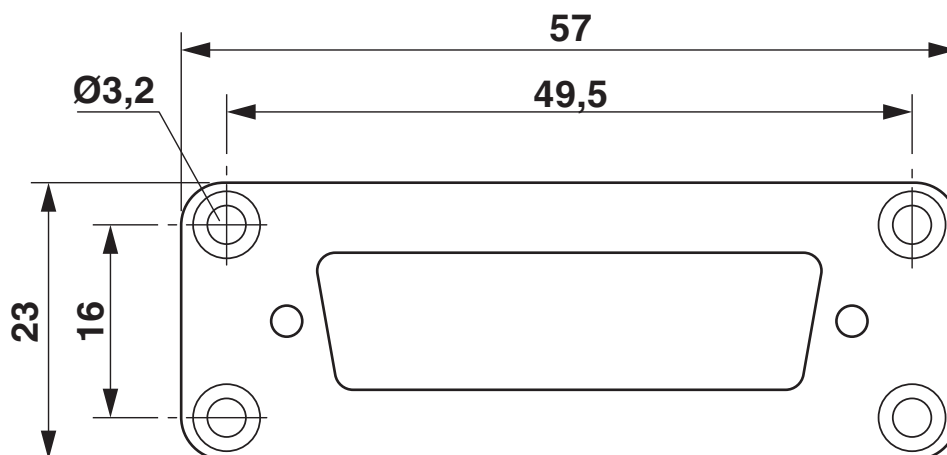


1660737

<https://www.phoenixcontact.com/us/products/1660737>

Drawings

Dimensional drawing



See assembly instruction

HC-D 15-ADP/1 DSUB 15 (VE 250) - Adapter plate



1660737

<https://www.phoenixcontact.com/us/products/1660737>

Classifications

ECLASS

ECLASS-13.0	27440201
ECLASS-15.0	27440201

UNSPSC

UNSPSC 21.0	39121421
-------------	----------

HC-D 15-ADP/1 DSUB 15 (VE 250) - Adapter plate



1660737

<https://www.phoenixcontact.com/us/products/1660737>

Environmental product compliance

EU RoHS

Fulfills EU RoHS substance requirements	Yes, No exemptions
---	--------------------

China RoHS

Environment friendly use period (EFUP)	EFUP-E
	No hazardous substances above the limits

EU REACH SVHC

REACH candidate substance (CAS No.)	No substance above 0.1 wt%
-------------------------------------	----------------------------

Phoenix Contact 2026 © - all rights reserved
<https://www.phoenixcontact.com>

Phoenix Contact USA
586 Fulling Mill Road
Middletown, PA 17057, United States
(+717) 944-1300
info@phoenixcon.com