

# HC-B 24-ADP-B 6-GY - Adapter plate

1660407

<https://www.phoenixcontact.com/us/products/1660407>

Please be informed that the data shown in this PDF document is generated from our online catalog. Please find the complete data in the user documentation. Our general terms of use for downloads are valid.

HEAVYCON adapter plate, type B24 on B6, for panel cutouts of type B24, gray



The figure shows a version of the product

## Commercial data

Item number	1660407
Packing unit	10 pc
Minimum order quantity	1 pc
Sales key	BF66
Product key	AF7AZD
GTIN	4017918022044
Weight per piece (including packing)	37.98 g
Weight per piece (excluding packing)	37.98 g
Customs tariff number	39269097
Country of origin	DE

# HC-B 24-ADP-B 6-GY - Adapter plate



1660407

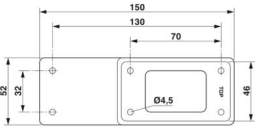
<https://www.phoenixcontact.com/us/products/1660407>

## Technical data

### Product properties

Product type	Adapter plate
Type	B24

### Dimensions

Dimensional drawing	
Width	52 mm
Height	7 mm
Length	150 mm
Drill hole distance, horizontal	130 mm
Drill hole distance, vertical	27 mm
Hole diameter	4.5 mm

### Installation dimensions

Width of the assembly cutout	36 mm
Length of the assembly cutout	113 mm

### Material specifications

Color	gray
Material	PA
Flammability rating according to UL 94	HB
Seal material	PTS

### Environmental and real-life conditions

#### Ambient conditions

Degree of protection	IP54
Ambient temperature (operation)	-20 °C ... 100 °C

### Mounting

Assembly note	Cannot be used in panel mounting bases having a pre-mounted cover
	Cannot be used with HC-EVO... PLR BK/HC-STA...

# HC-B 24-ADP-B 6-GY - Adapter plate

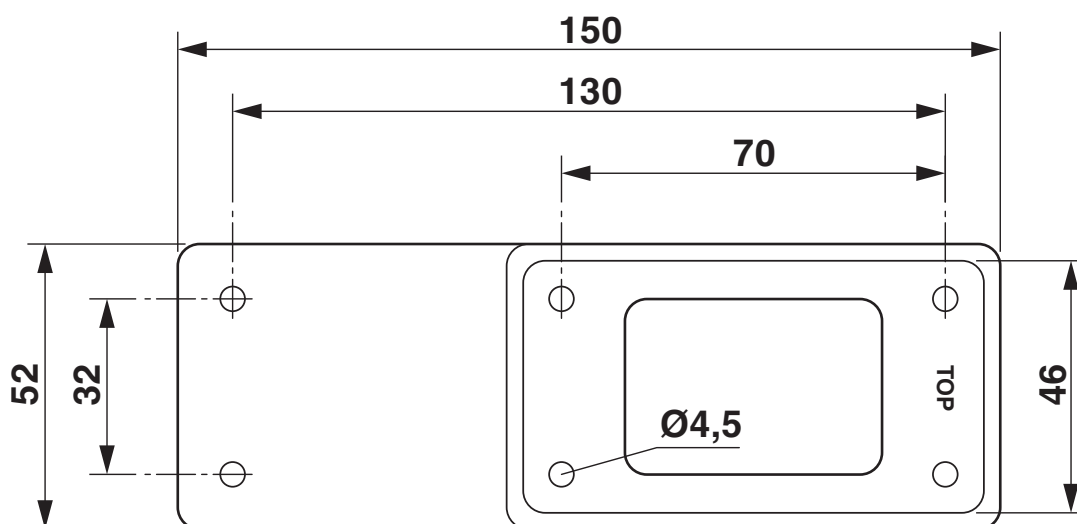


1660407

<https://www.phoenixcontact.com/us/products/1660407>

## Drawings

Dimensional drawing



Dimensional drawing

# HC-B 24-ADP-B 6-GY - Adapter plate



1660407

<https://www.phoenixcontact.com/us/products/1660407>

## Approvals

To download certificates, visit the product detail page: <https://www.phoenixcontact.com/us/products/1660407>



**EAC**

Approval ID: RU C-DE.AI30.B.01102

# HC-B 24-ADP-B 6-GY - Adapter plate



1660407

<https://www.phoenixcontact.com/us/products/1660407>

## Classifications

### ECLASS

ECLASS-13.0	27440201
ECLASS-15.0	27440201

### ETIM

ETIM 10.0	EC002309
-----------	----------

### UNSPSC

UNSPSC 21.0	31261500
-------------	----------

# HC-B 24-ADP-B 6-GY - Adapter plate



1660407

<https://www.phoenixcontact.com/us/products/1660407>

## Environmental product compliance

### EU RoHS

Fulfills EU RoHS substance requirements	Yes, No exemptions
---	--------------------

### China RoHS

Environment friendly use period (EFUP)	EFUP-E
	No hazardous substances above the limits

### EU REACH SVHC

REACH candidate substance (CAS No.)	No substance above 0.1 wt%
-------------------------------------	----------------------------

### EF3.1 Climate Change

CO2e kg	0.571 kg CO2e
---------	---------------

Phoenix Contact 2026 © - all rights reserved  
<https://www.phoenixcontact.com>

Phoenix Contact USA  
586 Fulling Mill Road  
Middletown, PA 17057, United States  
(+717) 944-1300  
[info@phoenixcon.com](mailto:info@phoenixcon.com)