

HC-B 16-SD-FL/FS - Protective cover



1660151

<https://www.phoenixcontact.com/us/products/1660151>

Please be informed that the data shown in this PDF document is generated from our online catalog. Please find the complete data in the user documentation. Our general terms of use for downloads are valid.



Protective cover B16, for single locking latch, protective cover material: PA, height: 18.5 mm, seal: no, with lanyard

Commercial data

Item number	1660151
Packing unit	1 pc
Minimum order quantity	1 pc
Sales key	BF66
Product key	AF7AZC
GTIN	4017918021894
Weight per piece (including packing)	33.17 g
Weight per piece (excluding packing)	33.17 g
Customs tariff number	85389099
Country of origin	DE

HC-B 16-SD-FL/FS - Protective cover

1660151

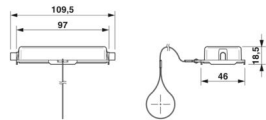
<https://www.phoenixcontact.com/us/products/1660151>

Technical data

Product properties

Product type	Protective cover
Housing type	Protective cover
Type	B16
Retaining cord present	yes
Seal present	no

Dimensions

Dimensional drawing	
Width	46 mm
Height	18.5 mm
Length	97 mm
Diameter	30 mm

Material specifications

Material Protective cover	PA
Flammability rating according to UL 94	HB
Material, protective cover	PA

Mechanical properties

Mechanical data

Locking type	Pin
--------------	-----

Environmental and real-life conditions

Ambient conditions

Degree of protection	IP66
Ambient temperature (operation)	-20 °C ... 100 °C

Mounting

Assembly note	Plastic protective cover for short-term protection
---------------	--

HC-B 16-SD-FL/FS - Protective cover

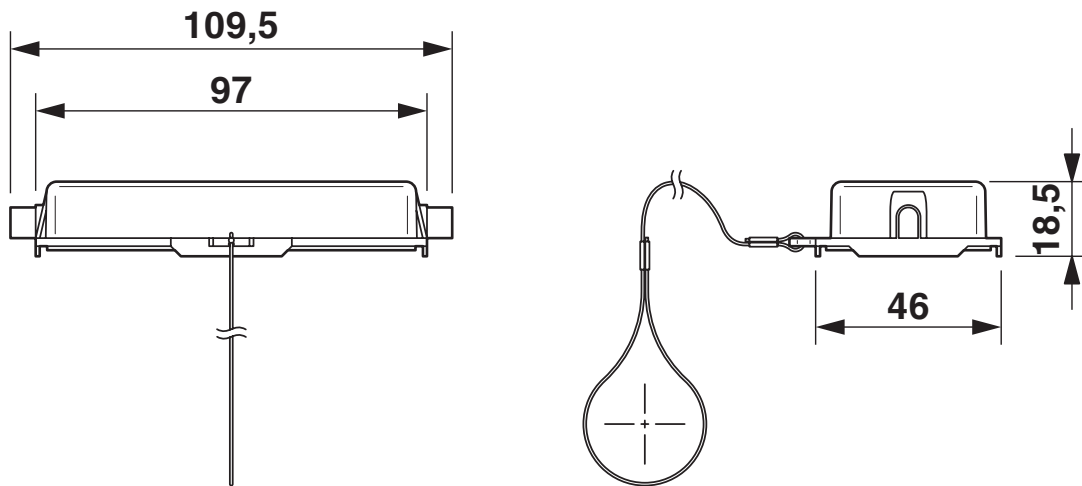


1660151

<https://www.phoenixcontact.com/us/products/1660151>

Drawings

Dimensional drawing



Dimensional drawing

HC-B 16-SD-FL/FS - Protective cover



1660151

<https://www.phoenixcontact.com/us/products/1660151>

Classifications

ECLASS

ECLASS-13.0	27440208
ECLASS-15.0	27440208

UNSPSC

UNSPSC 21.0	39121400
-------------	----------

HC-B 16-SD-FL/FS - Protective cover



1660151

<https://www.phoenixcontact.com/us/products/1660151>

Environmental product compliance

EU RoHS

Fulfills EU RoHS substance requirements	Yes, No exemptions
---	--------------------

China RoHS

Environment friendly use period (EFUP)	EFUP-E
	No hazardous substances above the limits

EU REACH SVHC

REACH candidate substance (CAS No.)	No substance above 0.1 wt%
-------------------------------------	----------------------------

Phoenix Contact 2026 © - all rights reserved
<https://www.phoenixcontact.com>

Phoenix Contact USA
586 Fulling Mill Road
Middletown, PA 17057, United States
(+717) 944-1300
info@phoenixcon.com