

# VS-PP-PN-R-3XRJ45/5-LSA - Patch panel



1658561

<https://www.phoenixcontact.com/us/products/1658561>

Please be informed that the data shown in this PDF document is generated from our online catalog. Please find the complete data in the user documentation. Our general terms of use for downloads are valid.

Patch panel for PROFINET, RJ45, DIN rail mounting, IP20, 3 slots, IDC connection, CAT5e, option of shielding via jumpers



The illustration shows the version with one slot

## Commercial data

Item number	1658561
Packing unit	1 pc
Note	Made to order (non-returnable)
Sales key	NULL
Product key	ABNMAY
GTIN	4046356162937
Weight per piece (including packing)	140.2 g
Weight per piece (excluding packing)	140.2 g
Customs tariff number	85369010
Country of origin	DE

# VS-PP-PN-R-3XRJ45/5-LSA - Patch panel



1658561

<https://www.phoenixcontact.com/us/products/1658561>

## Technical data

### Product properties

Product type	Patch panel
Number of positions	4
No. of cable outlets	3
Number of slots	3

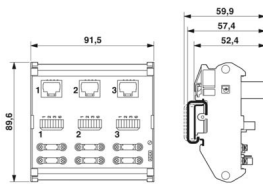
### Electrical properties

Rated voltage (III/3)	60 V
Rated current	1 A
Transmission characteristics (category)	CAT5 (IEC 11801:2002)

### Connection data

Connection method	LSA-PLUS
-------------------	----------

### Dimensions

Dimensional drawing	
Width	91.5 mm
Height	52 mm
Length	89.6 mm

### Material specifications

Color	green
Flammability rating according to UL 94	V0
Housing material	PC
Contact material	Copper alloy
Contact surface material	Gold over nickel
Contact carrier material	PBT

### Cable/line

External cable diameter	5 mm ... 8.5 mm
-------------------------	-----------------

### Mechanical properties

#### Mechanical data

Insertion/withdrawal cycles	≥ 200
-----------------------------	-------

### Environmental and real-life conditions

# VS-PP-PN-R-3XRJ45/5-LSA - Patch panel



1658561

<https://www.phoenixcontact.com/us/products/1658561>

## Ambient conditions

Degree of protection	IP20
Ambient temperature (operation)	0 °C ... 70 °C

# VS-PP-PN-R-3XRJ45/5-LSA - Patch panel

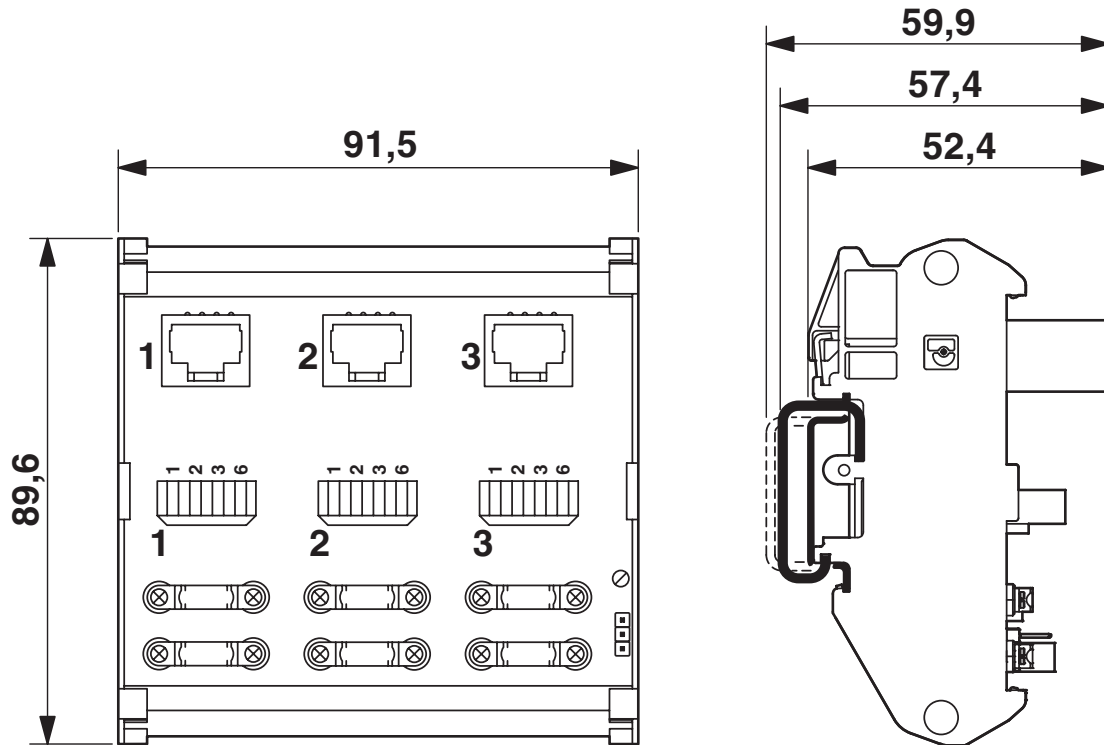


1658561

<https://www.phoenixcontact.com/us/products/1658561>

## Drawings

### Dimensional drawing



RJ45 patch panel

# VS-PP-PN-R-3XRJ45/5-LSA - Patch panel



1658561

<https://www.phoenixcontact.com/us/products/1658561>

## Environmental product compliance

EU REACH SVHC

REACH candidate substance (CAS No.)	
-------------------------------------	--

	No substance above 0.1 wt%
--	----------------------------

Phoenix Contact 2026 © - all rights reserved

<https://www.phoenixcontact.com>

Phoenix Contact USA  
586 Fulling Mill Road  
Middletown, PA 17057, United States  
(+717) 944-1300  
[info@phoenixcon.com](mailto:info@phoenixcon.com)