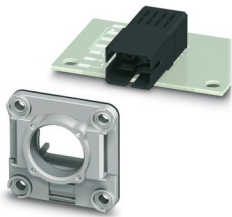


VS-SCRJ-A-TC-IP67 - Panel-mount frame

1658545

<https://www.phoenixcontact.com/us/products/1658545>

Please be informed that the data shown in this PDF document is generated from our online catalog. Please find the complete data in the user documentation. Our general terms of use for downloads are valid.



VS-SC-RJ panel mounting frame for transceiver from AVAGO, type: AFBR 5978Z, gray, IP65/67

Commercial data

Item number	1658545
Packing unit	1 pc
Minimum order quantity	1 pc
Note	Made to order (non-returnable)
Sales key	AB17
Product key	ABNND C
GTIN	4046356163095
Weight per piece (including packing)	8.8 g
Weight per piece (excluding packing)	8.8 g
Customs tariff number	39269097
Country of origin	DE

VS-SCRJ-A-TC-IP67 - Panel-mount frame



1658545

<https://www.phoenixcontact.com/us/products/1658545>

Technical data

Product properties

Product type	Panel-mount frame
Application	PCB
Type	SCRJ, IP65/67, version 6

Material specifications

Color	gray
Flammability rating according to UL 94	V0
Housing material	Plastic

Environmental and real-life conditions

Ambient conditions

Degree of protection	IP65/IP67
Ambient temperature (operation)	-40 °C ... 80 °C

Mounting

Mounting type	Front mounting
---------------	----------------

VS-SCRJ-A-TC-IP67 - Panel-mount frame

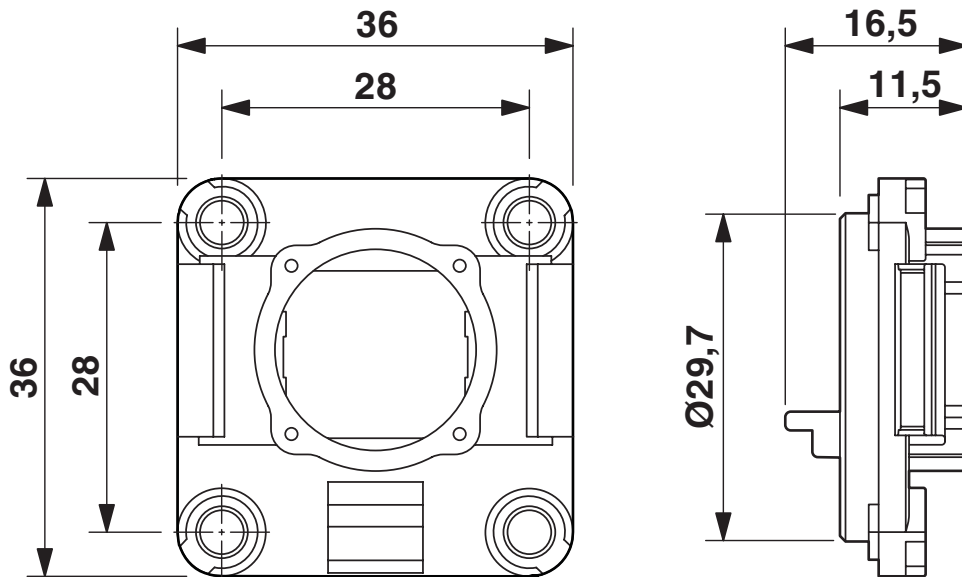


1658545

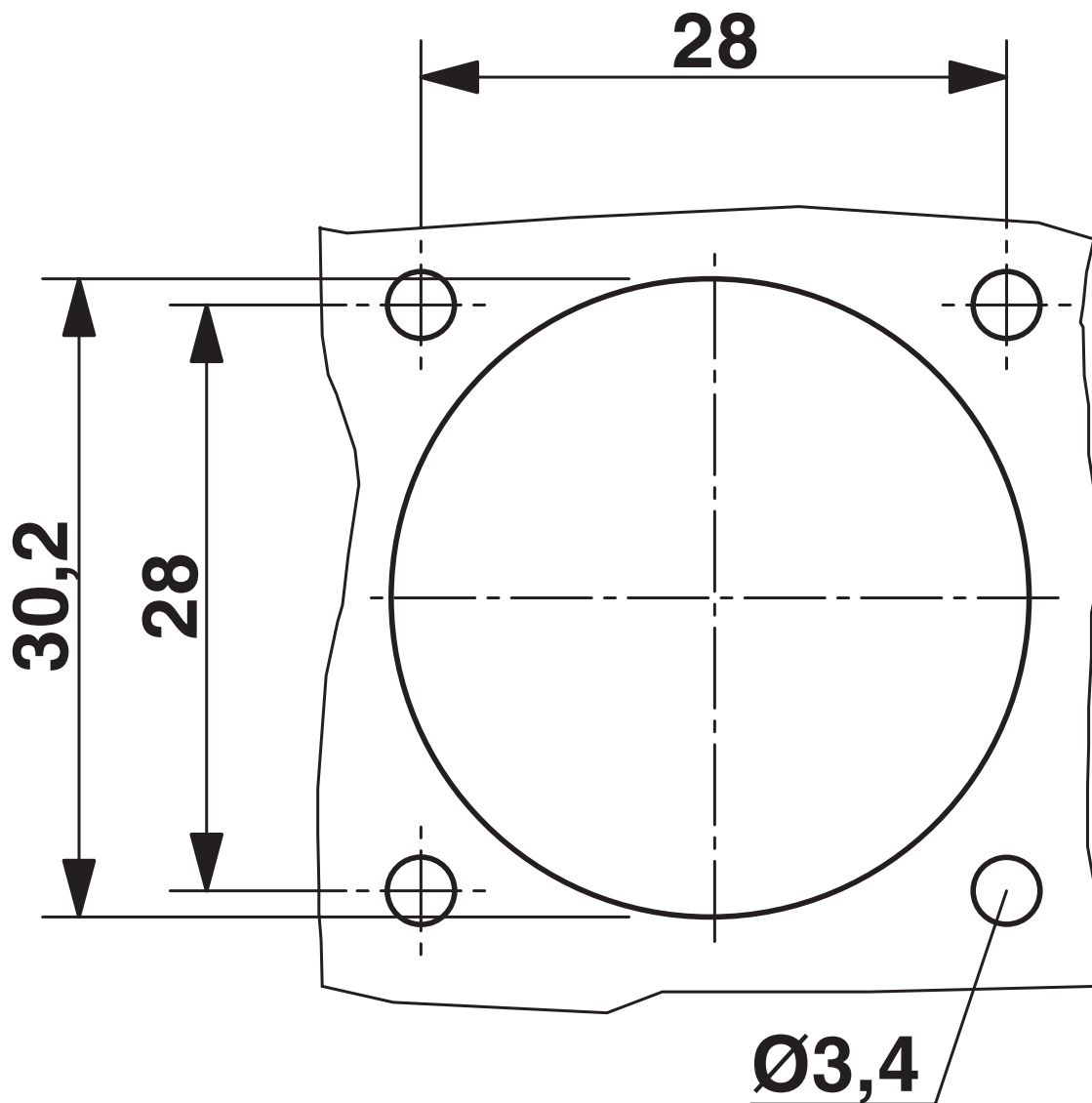
<https://www.phoenixcontact.com/us/products/1658545>

Drawings

Dimensional drawing



Dimensional drawing



Mounting cutout

VS-SCRJ-A-TC-IP67 - Panel-mount frame



1658545

<https://www.phoenixcontact.com/us/products/1658545>

Classifications

ECLASS

ECLASS-13.0	27440392
ECLASS-15.0	27440392

UNSPSC

UNSPSC 21.0	39121400
-------------	----------

VS-SCRJ-A-TC-IP67 - Panel-mount frame



1658545

<https://www.phoenixcontact.com/us/products/1658545>

Environmental product compliance

EU RoHS

Fulfills EU RoHS substance requirements	Yes, No exemptions
---	--------------------

China RoHS

Environment friendly use period (EFUP)	EFUP-E
	No hazardous substances above the limits

EU REACH SVHC

REACH candidate substance (CAS No.)	No substance above 0.1 wt%
-------------------------------------	----------------------------

Phoenix Contact 2026 © - all rights reserved
<https://www.phoenixcontact.com>

Phoenix Contact USA
586 Fulling Mill Road
Middletown, PA 17057, United States
(+717) 944-1300
info@phoenixcon.com