

# VS-SI-FP-2F - Data front plate

1658532

<https://www.phoenixcontact.com/us/products/1658532>

Please be informed that the data shown in this PDF document is generated from our online catalog. Please find the complete data in the user documentation. Our general terms of use for downloads are valid.

Data front plate, plastic, with two Freenet slots



## Commercial data

Item number	1658532
Packing unit	1 pc
Minimum order quantity	1 pc
Sales key	BF70
Product key	AF7ECX
GTIN	4046356162876
Weight per piece (including packing)	19.3 g
Weight per piece (excluding packing)	17.44 g
Customs tariff number	85389099
Country of origin	DE

# VS-SI-FP-2F - Data front plate

1658532

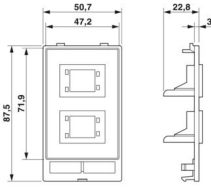
<https://www.phoenixcontact.com/us/products/1658532>

## Technical data

### Product properties

Product type	Data front plate
Number of slots	2

### Dimensions

Dimensional drawing	
Width	51 mm
Height	45 mm
Length	87.5 mm

### Material specifications

Material Data front plate	PBT (Data front plate)
Flammability rating according to UL 94	V0

### Environmental and real-life conditions

#### Ambient conditions

Degree of protection	IP20
Ambient temperature (operation)	-10 °C ... 60 °C

### Mounting

Assembly note	suitable for all mounting frames
---------------	----------------------------------

# VS-SI-FP-2F - Data front plate

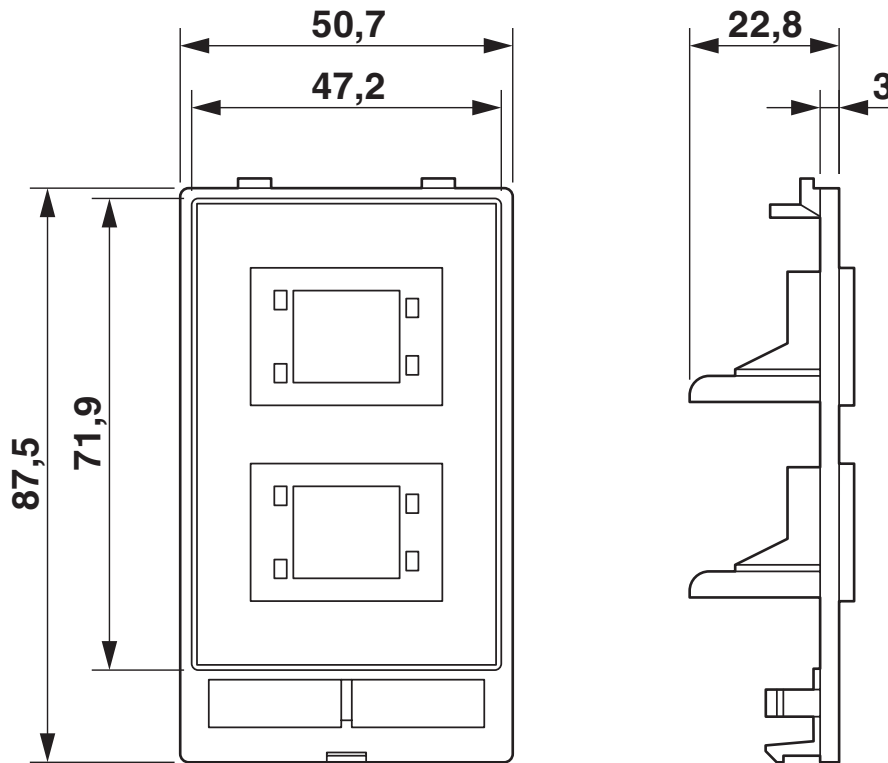
1658532

<https://www.phoenixcontact.com/us/products/1658532>



## Drawings

Dimensional drawing



Dimensional drawing

# VS-SI-FP-2F - Data front plate



1658532

<https://www.phoenixcontact.com/us/products/1658532>

## Classifications

### ECLASS

ECLASS-13.0	27182806
ECLASS-15.0	27182806

### ETIM

ETIM 10.0	EC000456
-----------	----------

### UNSPSC

UNSPSC 21.0	39121300
-------------	----------

# VS-SI-FP-2F - Data front plate



1658532

<https://www.phoenixcontact.com/us/products/1658532>

## Environmental product compliance

### EU RoHS

Fulfills EU RoHS substance requirements	Yes, No exemptions
---	--------------------

### China RoHS

Environment friendly use period (EFUP)	EFUP-E
	No hazardous substances above the limits

### EU REACH SVHC

REACH candidate substance (CAS No.)	No substance above 0.1 wt%
-------------------------------------	----------------------------

### EF3.1 Climate Change

CO2e kg	1.132 kg CO2e
---------	---------------

Phoenix Contact 2026 © - all rights reserved  
<https://www.phoenixcontact.com>

Phoenix Contact USA  
586 Fulling Mill Road  
Middletown, PA 17057, United States  
(+717) 944-1300  
[info@phoenixcon.com](mailto:info@phoenixcon.com)