

# VS-09-A BK - Panel-mount frame



1658079

<https://www.phoenixcontact.com/us/products/1658079>

Please be informed that the data shown in this PDF document is generated from our online catalog. Please find the complete data in the user documentation. Our general terms of use for downloads are valid.



D-SUB panel mounting frame, shell size 1, IP67 degree of protection, black

Image shows the version in gray

## Commercial data

Item number	1658079
Packing unit	5 pc
Minimum order quantity	1 pc
Product key	ABNCBC
GTIN	4046356144322
Weight per piece (including packing)	8.94 g
Weight per piece (excluding packing)	8.65 g
Country of origin	DE

## Technical data

### Notes

#### Safety note

##### Safety note

WARNING: The connectors may not be plugged in or disconnected under load. Ignoring the warning or improper use may damage persons and/or property.

- WARNING: Commission properly functioning products only. The products must be regularly inspected for damage. Decommission defective products immediately. Replace damaged products. Repairs are not possible.

- WARNING: Only electrically qualified personnel may install and operate the product. They must observe the following safety notes. The qualified personnel must be familiar with the basics of electrical engineering. They must be able to recognize and prevent danger. The relevant symbol on the packaging indicates that only personnel familiar with electrical engineering are allowed to install and operate the product.

- The products are suitable for applications in plant, controller, and electrical device engineering.

- When operating the connectors in outdoor applications, they must be separately protected against environmental influences.

- Assembled products may not be manipulated or improperly opened.

- Only use mating connectors that are specified in the technical data of the standards listed (e.g. the ones listed in the product accessories online at [phoenixcontact.com/products](https://www.phoenixcontact.com/products)).

- When using the product in direct connection with third-party manufacturers, the user is responsible.

- For operating voltages > 50 V AC, conductive connector housings must be grounded

- Only use tools recommended by Phoenix Contact

- The installation notes/Design In documents online on the download page at [phoenixcontact.com/products](https://www.phoenixcontact.com/products) must be observed for this product.

- Use a protective cap to protect connectors that are not in use. The suitable accessories are available online in the accessory section of the product at [phoenixcontact.com/products](https://www.phoenixcontact.com/products)

- Operate the connector only when it is fully plugged in and interlocked.

- Operate the connector only when it is fully plugged in.

- Ensure that when laying the cable, the tensile load on the connectors does not exceed the upper limit specified in the standards.

- Observe the minimum bending radius of the cable. Lay the cable without twisting it.

- VDE 0100/1.97 § 411.1.3.2 and DIN EN 60 204/11.98 § 14.1.3 are applicable when combining several circuits in a cable and/or connector

### Product properties

# VS-09-A BK - Panel-mount frame



1658079

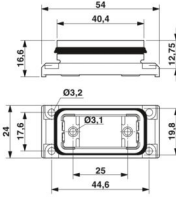
<https://www.phoenixcontact.com/us/products/1658079>

Product type	Panel-mount frame
Application	Modular insert
Type	Shell size 1
Connection profile	unassembled

## Insulation characteristics

Degree of pollution	2
---------------------	---

## Dimensions

Dimensional drawing	
Width	16.7 mm
Height	54 mm
Length	24 mm

## Material specifications

Material	Plastic
Flammability rating according to UL 94	V0
Seal material	NBR
Housing material	Plastic
Housing surface material	PA, light gray
Contact surface material	Au/Ni
Contact carrier material	Polyester GF

## Environmental and real-life conditions

### Ambient conditions

Degree of protection	IP65/IP67
----------------------	-----------

## Mounting

Mounting type	Front mounting
---------------	----------------

# VS-09-A BK - Panel-mount frame

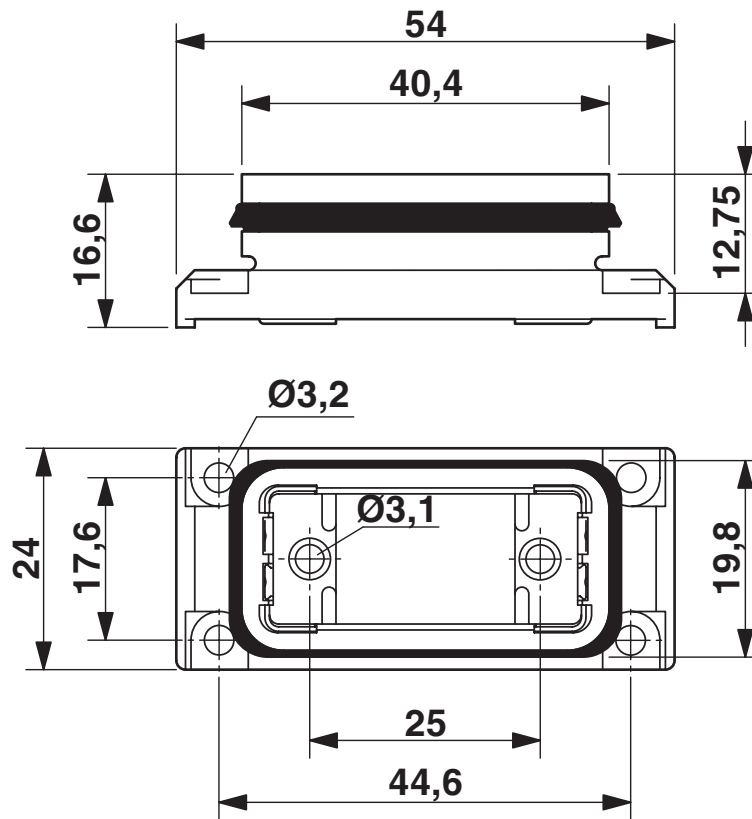
1658079

<https://www.phoenixcontact.com/us/products/1658079>



## Drawings

Dimensional drawing



D-SUB panel mounting frame

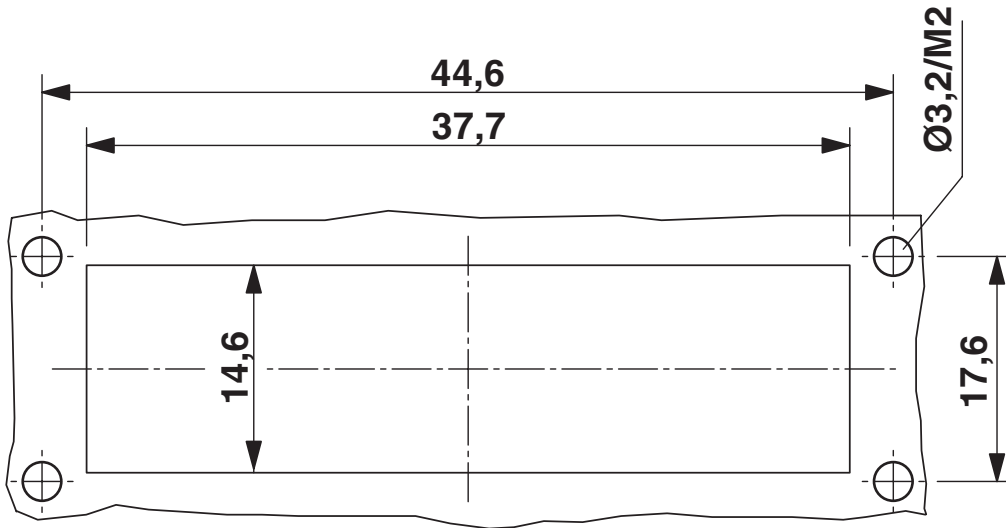
# VS-09-A BK - Panel-mount frame



1658079

<https://www.phoenixcontact.com/us/products/1658079>

Dimensional drawing



Mounting cutout

# VS-09-A BK - Panel-mount frame



1658079

<https://www.phoenixcontact.com/us/products/1658079>

## Classifications

### ECLASS

ECLASS-13.0	27440210
ECLASS-15.0	27440210

### ETIM

ETIM 10.0	EC002310
-----------	----------

### UNSPSC

UNSPSC 21.0	39121400
-------------	----------

# VS-09-A BK - Panel-mount frame



1658079

<https://www.phoenixcontact.com/us/products/1658079>

## Environmental product compliance

### EU RoHS

Fulfills EU RoHS substance requirements	Yes, No exemptions
---	--------------------

### China RoHS

Environment friendly use period (EFUP)	EFUP-E
	No hazardous substances above the limits

### EU REACH SVHC

REACH candidate substance (CAS No.)	6,6'-di-tert-butyl-2,2'-methylenedi-p-cresol(CAS: 119-47-1)
SCIP	62952237-8cef-4648-adba-bbdb2cebc26a

Phoenix Contact 2026 © - all rights reserved

<https://www.phoenixcontact.com>

Phoenix Contact USA  
586 Fulling Mill Road  
Middletown, PA 17057, United States  
(+717) 944-1300  
[info@phoenixcon.com](mailto:info@phoenixcon.com)