

VS-08-A-RJ45/MOD-1-R-IP67 BK - Panel-mount frame



1658053

<https://www.phoenixcontact.com/us/products/1658053>

Please be informed that the data shown in this PDF document is generated from our online catalog. Please find the complete data in the user documentation. Our general terms of use for downloads are valid.



RJ45 panel mounting frame, IP67, for modular socket inserts (Keystone), for round panel cutout, with grommet, with thread and union nut, color: black

Commercial data

| | |
|--------------------------------------|---------------|
| Item number | 1658053 |
| Packing unit | 5 pc |
| Minimum order quantity | 5 pc |
| Sales key | AB17 |
| Product key | ABNNDB |
| GTIN | 4046356144346 |
| Weight per piece (including packing) | 9.87 g |
| Weight per piece (excluding packing) | 9.64 g |
| Customs tariff number | 85389099 |
| Country of origin | DE |

1658053

<https://www.phoenixcontact.com/us/products/1658053>

Technical data

Product properties

| | |
|--------------------|-------------------|
| Product type | Panel-mount frame |
| Application | Modular insert |
| Type | Version 6 |
| Connection profile | RJ45 |
| Number of slots | 1 |

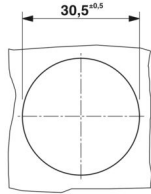
Insulation characteristics

| | |
|---------------------|---|
| Degree of pollution | 2 |
|---------------------|---|

Electrical properties

| | |
|---------------------|--------|
| Transmission medium | Copper |
|---------------------|--------|

Dimensions

| | |
|---------------------|--|
| Dimensional drawing |  |
| Width | 36 mm |
| Height | 36 mm |
| Depth | 16.5 mm |
| Length | 16.4 mm |

Material specifications

| | |
|--|----------------|
| Color | black |
| Material | Plastic |
| Flammability rating according to UL 94 | V0 |
| Seal material | NBR |
| Seal material, flat gasket | NBR |
| Housing material | Plastic |
| Housing surface material | PA, light gray |
| Contact surface material | Au/Ni |
| Contact carrier material | Polyester GF |

Mechanical properties

Mechanical data

| | |
|-----------------------------|--------|
| Insertion/withdrawal cycles | ≥ 1000 |
|-----------------------------|--------|

1658053

<https://www.phoenixcontact.com/us/products/1658053>

Environmental and real-life conditions

Ambient conditions

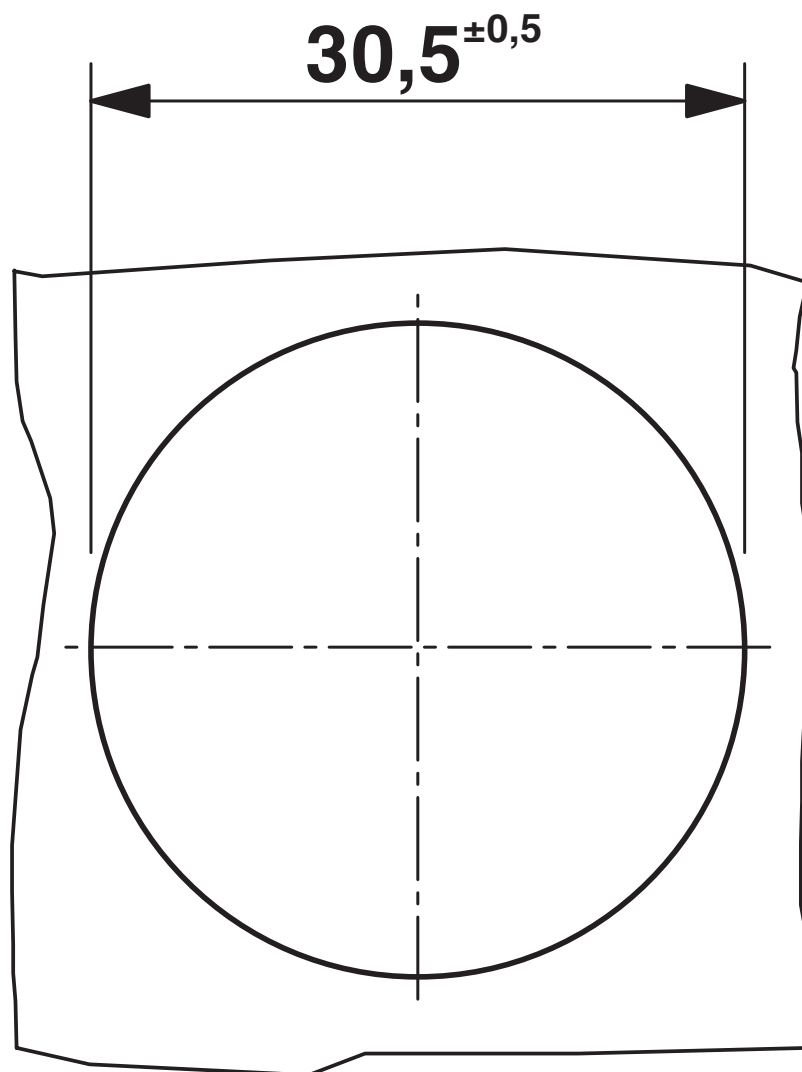
| | |
|---|------------------|
| Degree of protection | IP65/IP67 |
| Ambient temperature (operation) | -20 °C ... 70 °C |
| Ambient temperature (storage/transport) | -40 °C ... 70 °C |
| Ambient temperature (assembly) | -5 °C ... 55 °C |

Mounting

| | |
|---------------|----------------|
| Mounting type | Front mounting |
|---------------|----------------|

Drawings

Dimensional drawing



Mounting cutout

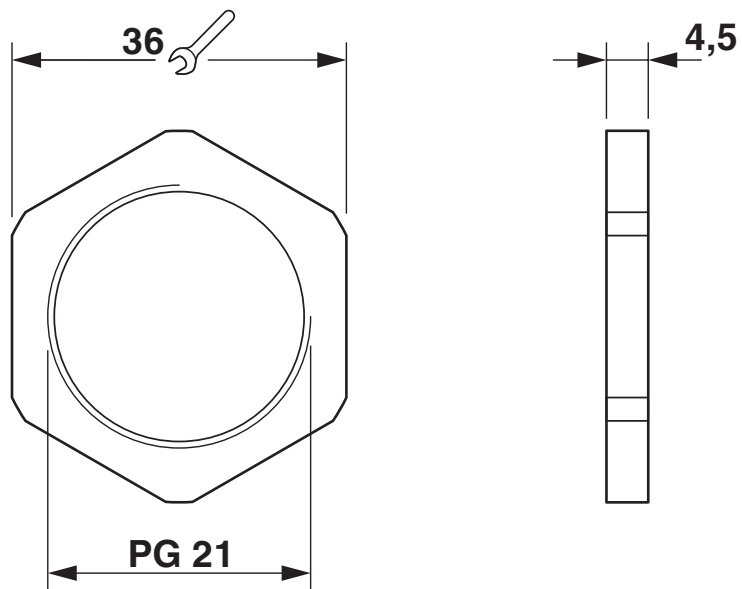
VS-08-A-RJ45/MOD-1-R-IP67 BK - Panel-mount frame



1658053

<https://www.phoenixcontact.com/us/products/1658053>

Dimensional drawing



Union nut

1658053

<https://www.phoenixcontact.com/us/products/1658053>

Classifications

ECLASS

| | |
|-------------|----------|
| ECLASS-13.0 | 27440392 |
| ECLASS-15.0 | 27440210 |

ETIM

| | |
|-----------|----------|
| ETIM 10.0 | EC002310 |
|-----------|----------|

UNSPSC

| | |
|-------------|----------|
| UNSPSC 21.0 | 39121400 |
|-------------|----------|

1658053

<https://www.phoenixcontact.com/us/products/1658053>

Environmental product compliance

EU RoHS

| | |
|---|--------------------|
| Fulfills EU RoHS substance requirements | Yes, No exemptions |
|---|--------------------|

China RoHS

| | |
|--|--|
| Environment friendly use period (EFUP) | EFUP-E |
| | No hazardous substances above the limits |

EU REACH SVHC

| | |
|-------------------------------------|----------------------------|
| REACH candidate substance (CAS No.) | No substance above 0.1 wt% |
|-------------------------------------|----------------------------|

Phoenix Contact 2026 © - all rights reserved
<https://www.phoenixcontact.com>

Phoenix Contact USA
586 Fulling Mill Road
Middletown, PA 17057, United States
(+717) 944-1300
info@phoenixcon.com