

VS-PP-R-1XRJ45/5-SC-180 - Patch panel



1657986

<https://www.phoenixcontact.com/us/products/1657986>

Please be informed that the data shown in this PDF document is generated from our online catalog. Please find the complete data in the user documentation. Our general terms of use for downloads are valid.

Patch panel, RJ45, DIN rail mounting, IP20, 1 slot, screw connection, CAT5e, option of shielding via jumpers



Commercial data

Item number	1657986
Packing unit	1 pc
Note	Made to order (non-returnable)
Sales key	NULL
Product key	ABNMAY
GTIN	4046356136440
Weight per piece (including packing)	73 g
Weight per piece (excluding packing)	73 g
Customs tariff number	85369010
Country of origin	DE

VS-PP-R-1XRJ45/5-SC-180 - Patch panel



1657986

<https://www.phoenixcontact.com/us/products/1657986>

Technical data

Product properties

Product type	Patch panel
Application	Ethernet
Number of positions	8
Number of slots	1

Electrical properties

Rated voltage (III/3)	60 V
Rated current	1 A
Transmission characteristics (category)	CAT5 (IEC 11801:2002)

Connection data

Connection method	Screw connection
-------------------	------------------

Material specifications

Color	green
Flammability rating according to UL 94	V0

Cable/line

External cable diameter	5 mm ... 8.5 mm
-------------------------	-----------------

Environmental and real-life conditions

Ambient conditions

Degree of protection	IP20
Ambient temperature (operation)	0 °C ... 70 °C

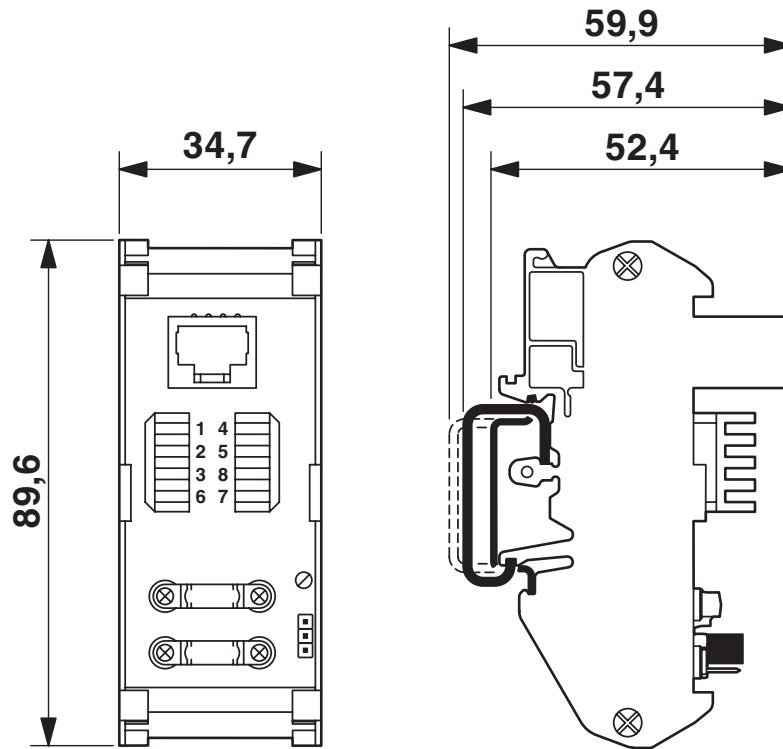
VS-PP-R-1XRJ45/5-SC-180 - Patch panel

1657986

<https://www.phoenixcontact.com/us/products/1657986>

Drawings

Dimensional drawing



Patch panel with one RJ45 connection

VS-PP-R-1XRJ45/5-SC-180 - Patch panel



1657986

<https://www.phoenixcontact.com/us/products/1657986>

Environmental product compliance

EU REACH SVHC

REACH candidate substance (CAS No.)	
-------------------------------------	--

	No substance above 0.1 wt%
--	----------------------------

Phoenix Contact 2026 © - all rights reserved

<https://www.phoenixcontact.com>

Phoenix Contact USA
586 Fulling Mill Road
Middletown, PA 17057, United States
(+717) 944-1300
info@phoenixcon.com