

# VS-PPC-F1-SCRJ-POBK-1RP - Panel-mount frame



1657889

<https://www.phoenixcontact.com/us/products/1657889>

Please be informed that the data shown in this PDF document is generated from our online catalog. Please find the complete data in the user documentation. Our general terms of use for downloads are valid.



SC-RJ panel mounting frame, IP67, for push-pull interlocking, plastic, for transceiver, for square panel cutout, with grommet, without mounting screws

## Commercial data

Item number	1657889
Packing unit	1 pc
Minimum order quantity	1 pc
Sales key	AB17
Product key	ABNODF
GTIN	4046356131957
Weight per piece (including packing)	5.33 g
Weight per piece (excluding packing)	4.6 g
Customs tariff number	85366990
Country of origin	DE

# VS-PPC-F1-SCRJ-POBK-1RP - Panel-mount frame



1657889

<https://www.phoenixcontact.com/us/products/1657889>

## Technical data

### Product properties

Product type	Panel-mount frame
Application	SCRJ PCB connection
Type	SC-RJ
Number of positions	2
Connection profile	SC-RJ

### Insulation characteristics

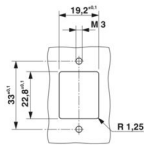
Degree of pollution	2
---------------------	---

### Connection data

#### Connection technology

Connection method	Spring-cage connection
-------------------	------------------------

### Dimensions

Dimensional drawing	
Width	22.2 mm
Height	42 mm

### Material specifications

Color	black
Material	Plastic
Flammability rating according to UL 94	V0
Seal material	NBR
Housing material	Plastic
Housing surface material	PA, light gray
Contact surface material	Au/Ni
Contact carrier material	Polyester GF

### Mechanical properties

#### Mechanical data

Insertion/withdrawal cycles	≥ 500
-----------------------------	-------

### Environmental and real-life conditions

#### Ambient conditions

Degree of protection	IP65/IP67
Ambient temperature (operation)	-40 °C ... 80 °C

# VS-PPC-F1-SCRJ-POBK-1RP - Panel-mount frame



1657889

<https://www.phoenixcontact.com/us/products/1657889>

## Mounting

Mounting type	Front mounting
---------------	----------------

# VS-PPC-F1-SCRJ-POBK-1RP - Panel-mount frame

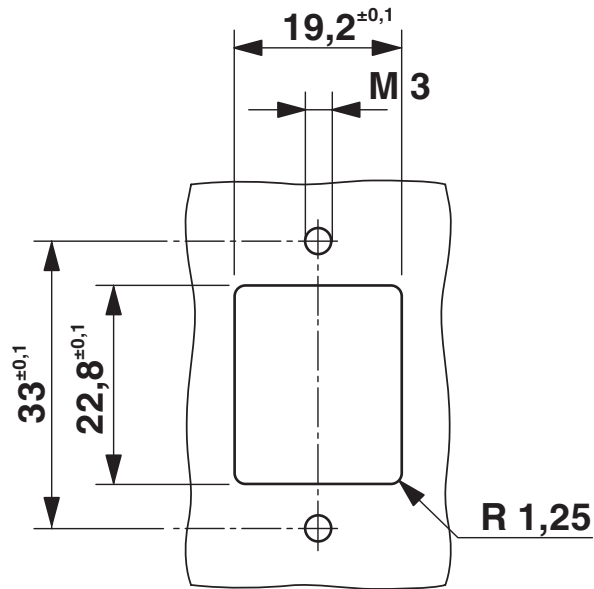


1657889

<https://www.phoenixcontact.com/us/products/1657889>

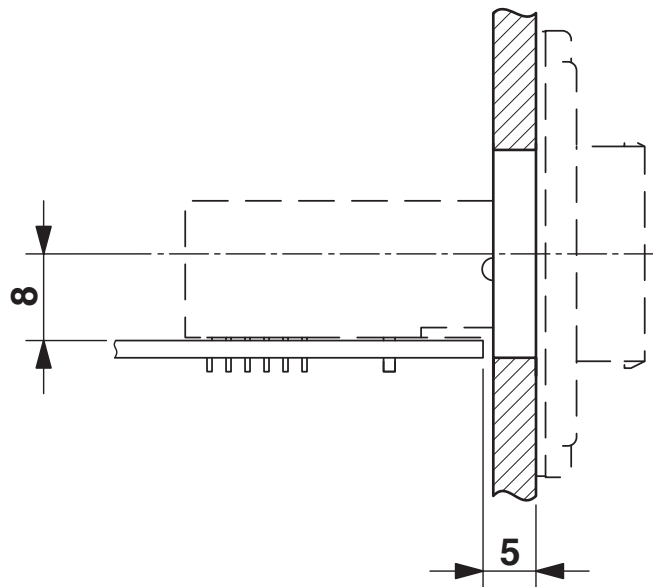
## Drawings

Dimensional drawing



Mounting cutout

Dimensional drawing



Mounting cutout

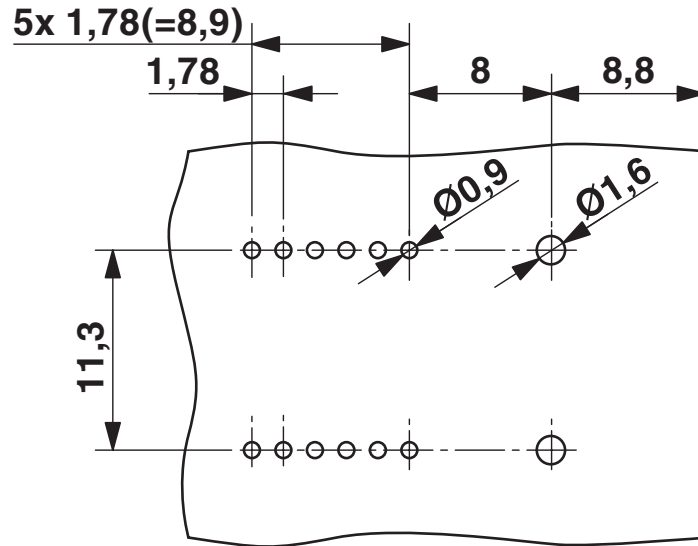
# VS-PPC-F1-SCRJ-POBK-1RP - Panel-mount frame



1657889

<https://www.phoenixcontact.com/us/products/1657889>

Drilling plan/solder pad geometry



Drilling diagram

# VS-PPC-F1-SCRJ-POBK-1RP - Panel-mount frame



1657889

<https://www.phoenixcontact.com/us/products/1657889>

## Classifications

### ECLASS

ECLASS-13.0	27440210
ECLASS-15.0	27440210

### ETIM

ETIM 10.0	EC002310
-----------	----------

### UNSPSC

UNSPSC 21.0	39121400
-------------	----------

# VS-PPC-F1-SCRJ-POBK-1RP - Panel-mount frame



1657889

<https://www.phoenixcontact.com/us/products/1657889>

## Environmental product compliance

### EU RoHS

Fulfills EU RoHS substance requirements	Yes, No exemptions
---	--------------------

### China RoHS

Environment friendly use period (EFUP)	EFUP-E
	No hazardous substances above the limits

### EU REACH SVHC

REACH candidate substance (CAS No.)	No substance above 0.1 wt%
-------------------------------------	----------------------------

Phoenix Contact 2026 © - all rights reserved  
<https://www.phoenixcontact.com>

Phoenix Contact USA  
586 Fulling Mill Road  
Middletown, PA 17057, United States  
(+717) 944-1300  
[info@phoenixcon.com](mailto:info@phoenixcon.com)